

PPITM



PCR 

PRECISION COMPOSITE ROLLERTM

WE KEEP IT MOVING[®]

ENGINEERING & DIMENSIONS

PRECISION COMPOSITE ROLLERSTM



PCR composite rolls are fully load-capable idlers engineered to deliver performance without compromise. Their substantially lighter weight reduces strain on maintenance personnel and conveyor structures, while exceptional corrosion and abrasion resistance make them ideal for harsh, demanding environments. Six material options provide the flexibility to tailor each roll to your specific application.

PART # EX: D6-35TE-60CR

Indicates material type:

Glass filled HDPE = CR

Base Gray Glass-Filled HDPE = EC

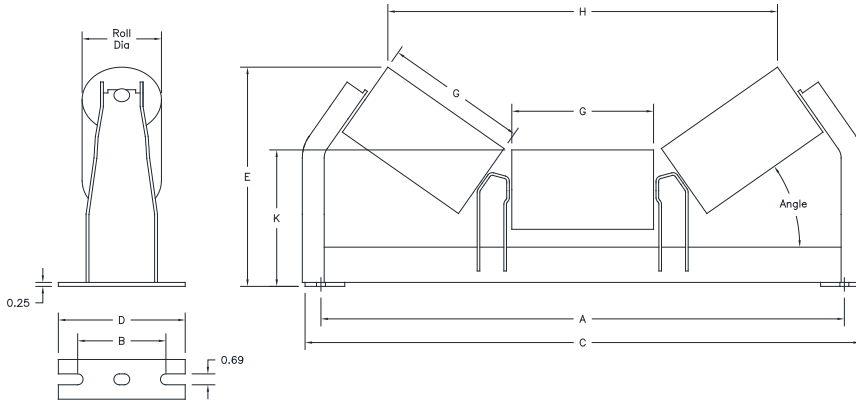
Flame Retardant = FR

FRAS = FS

UHMW = UH

Dual Layer = DL

CEMA C CLASS IDLERS



Belt Width	Standard Dimensions				
	A*	B	C*	D	G
18	27	5.56	29.00	8.00	6.75
20	29	5.56	31.00	8.00	7.63
24	33	5.56	35.00	8.00	8.94
30	39	5.50	41.50	9.50	11.13
36	45	5.50	47.50	9.50	13.25
42	51	5.50	53.50	9.50	15.44
48	57	5.50	59.50	9.50	17.63
54	63	5.75	65.50	11.00	19.75
60	69	5.75	71.50	11.00	21.75

20° TROUGHER EQUAL

Belt Width	5" Roll Diameter				
	Part Number	E	H	K	WT
18	C5-20TE-18EC	10.92	20.72	8.59	31
20	C5-20TE-20EC	11.22	23.24	8.59	33
24	C5-20TE-24EC	11.67	27.02	8.59	36
30	C5-20TE-30EC	12.54	33.31	8.72	42
36	C5-20TE-36EC	13.27	39.43	8.72	47
42	C5-20TE-42EC	14.40	45.73	9.10	61
48	C5-20TE-48EC	15.15	52.03	9.10	67
54	C5-20TE-54EC	15.88	58.15	9.10	73
60	C5-20TE-60EC	16.56	63.91	9.10	79

35° TROUGHER EQUAL

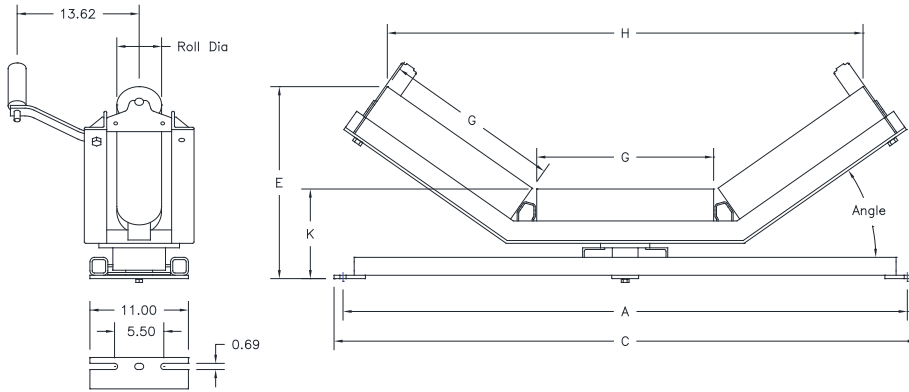
Belt Width	5" Roll Diameter				
	Part Number	E	H	K	WT
18	C5-35TE-18EC	12.54	18.76	8.59	33
20	C5-35TE-20EC	13.04	21.07	8.59	35
24	C5-35TE-24EC	13.79	24.53	8.59	38
30	C5-35TE-30EC	15.17	30.30	8.72	45
36	C5-35TE-36EC	16.39	35.91	8.72	50
42	C5-35TE-42EC	18.03	41.68	9.10	63
48	C5-35TE-48EC	19.28	47.45	9.10	69
54	C5-35TE-54EC	20.50	53.06	9.10	79
60	C5-35TE-60EC	21.65	58.34	9.10	85

45° TROUGHER EQUAL

Belt Width	5" Roll Diameter				
	Part Number	E	H	K	WT
18	C5-45TE-18EC	13.53	17.42	8.59	34
20	C5-45TE-20EC	14.15	19.54	8.59	36
24	C5-45TE-24EC	15.07	22.70	8.59	39
30	C5-45TE-30EC	16.74	27.99	8.72	46
36	C5-45TE-36EC	18.25	33.12	8.72	53
42	C5-45TE-42EC	20.18	38.40	9.10	66
48	C5-45TE-48EC	21.73	43.68	9.10	73
54	C5-45TE-54EC	23.23	48.81	9.10	82
60	C5-45TE-60EC	24.64	53.64	9.10	89

*For Wide Base Idlers add WB to the end of the part number. Add 6 inches to the A dimension. The C dimension for all wide base part numbers is the wide base A dimension plus 2.5 inches.

CEMA C CLASS IDLERS



Belt Width	Standard Dimensions		
	A*	C*	G
18	27.00	29.00	6.75
20	29.00	31.00	7.63
24	33.00	35.00	8.94
30	39.00	41.00	11.10
36	45.00	47.00	13.30
42	51.00	53.00	15.40
48	57.00	59.00	17.60
54	63.00	65.00	19.80
60	69.00	71.00	21.80

20° TROUGHER EQUAL SELF-ALIGNER

Belt Width	5" Roll Diameter				
	Part Number	E	H	K	WT
18	C5-20TESA-18EC	11.33	20.72	9.00	91
20	C5-20TESA-20EC	11.63	23.24	9.00	94
24	C5-20TESA-24EC	12.08	27.01	9.00	100
30	C5-20TESA-30EC	12.83	33.31	9.00	110
36	C5-20TESA-36EC	13.56	39.43	9.00	119
42	C5-20TESA-42EC	14.80	45.73	9.50	139
48	C5-20TESA-48EC	15.55	52.03	9.50	150

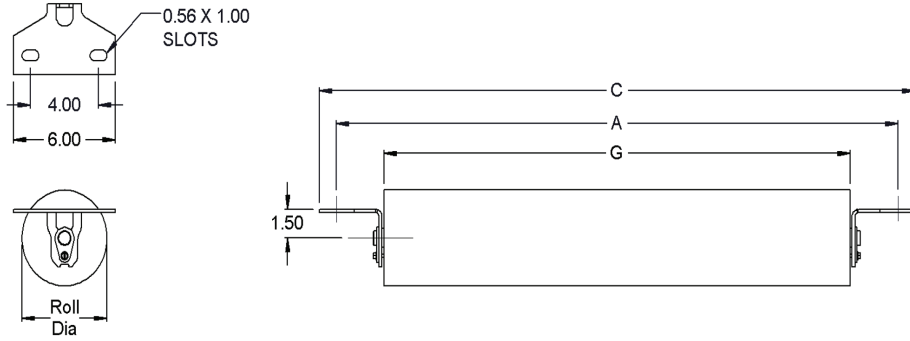
35° TROUGHER EQUAL SELF-ALIGNER

Belt Width	5" Roll Diameter				
	Part Number	E	H	K	WT
18	C5-35TESA-18EC	12.95	18.76	9.00	95
20	C5-35TESA-20EC	13.45	21.07	9.00	98
24	C5-35TESA-24EC	14.20	24.53	9.00	104
30	C5-35TESA-30EC	15.46	30.30	9.00	113
36	C5-35TESA-36EC	16.68	35.91	9.00	122
42	C5-35TESA-42EC	18.43	41.68	9.50	143
48	C5-35TESA-48EC	19.69	47.45	9.50	154

45° TROUGHER EQUAL SELF-ALIGNER

Belt Width	5" Roll Diameter				
	Part Number	E	H	K	WT
18	C5-45TESA-18EC	13.94	17.42	9.00	95
20	C5-45TESA-20EC	14.56	19.54	9.00	98
24	C5-45TESA-24EC	15.49	22.70	9.00	104
30	C5-45TESA-30EC	17.03	27.99	9.00	114
36	C5-45TESA-36EC	18.53	33.12	9.00	123
42	C5-45TESA-42EC	20.58	38.40	9.50	144
48	C5-45TESA-48EC	22.13	43.68	9.50	155

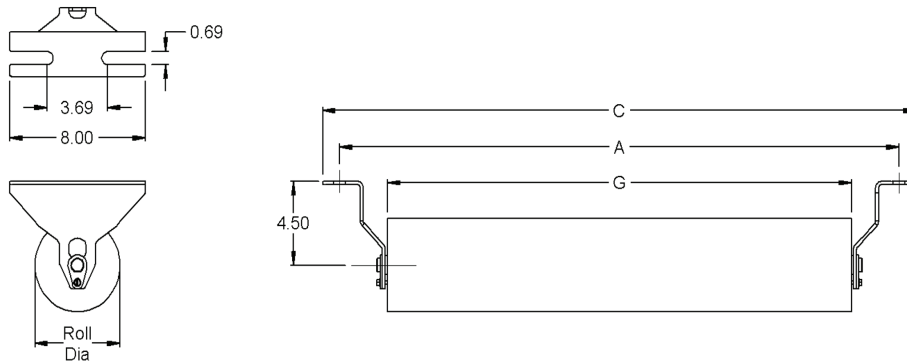
*For Wide Base Idlers add WB to the end of the part number. Add 6 inches to the A dimension. The C dimension for all wide base part numbers is the wide base A dimension plus 2.5 inches.



RETURN 1 1/2" DROP

Belt Width	5" Roll Diameter				
	Part Number	A	C	G	WT
18	C5-R-18EC-1	27.00	29.00	21.38	12
20	C5-R-20EC-1	29.00	31.00	23.38	13
24	C5-R-24EC-1	33.00	35.00	27.38	14
30	C5-R-30EC-1	39.00	41.00	33.38	16
36	C5-R-36EC-1	45.00	47.00	39.38	19
42	C5-R-42EC-1	51.00	53.00	45.38	21
48	C5-R-48EC-1	57.00	59.00	51.38	23

For Wide Base option use the next larger belt width idler.

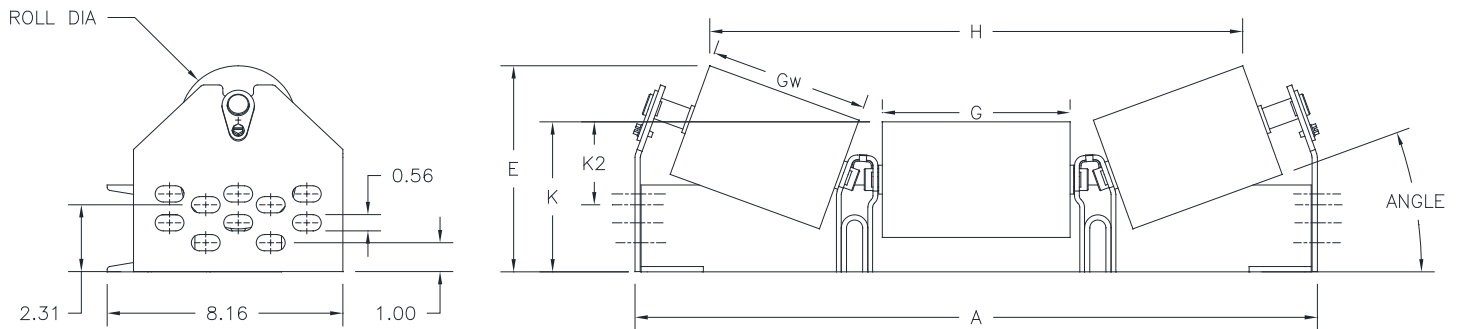


RETURN 4 1/2" DROP

Belt Width	5" Roll Diameter				
	Part Number	A	C	G	WT
18	C5-R-18EC	27.00	29.00	21.38	15
20	C5-R-20EC	29.00	31.00	23.38	16
24	C5-R-24EC	33.00	35.00	27.38	17
30	C5-R-30EC	39.00	41.00	33.38	19
36	C5-R-36EC	45.00	47.00	39.38	22
42	C5-R-42EC	51.00	53.00	45.38	24
48	C5-R-48EC	57.00	59.00	51.38	26

For Wide Base option use the next larger belt width idler.

CEMA C CLASS IDLERS



Belt Width	Standard Dimensions		
	A*	G	Gw
20	25.63	7.13	6.13
24	29.63	8.50	7.50
30	35.63	10.50	9.50
36	41.63	12.50	11.50
42	47.63	18.50	11.50
48	53.63	24.50	11.50
54	59.63	30.50	11.50
60	65.63	36.50	11.50

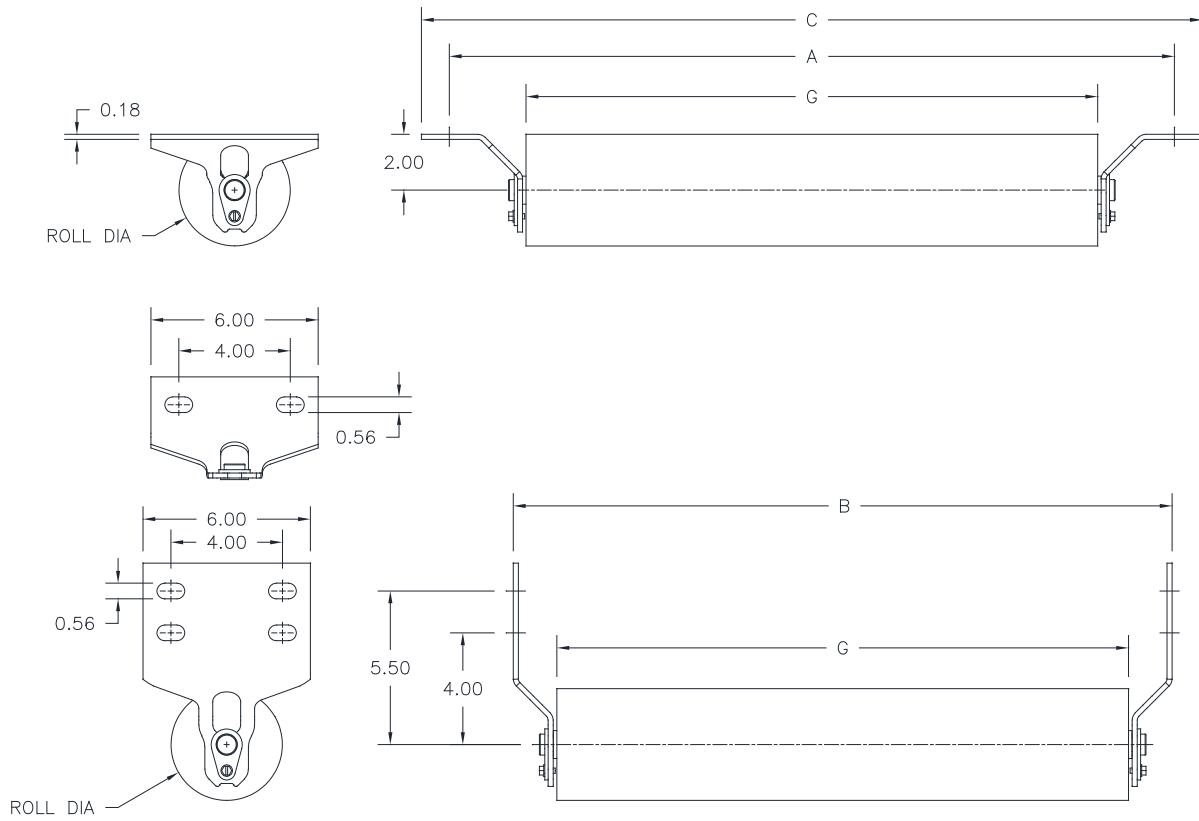
20° EQUAL TROUGHING IDLER

Belt Width	5" Roll Diameter					
	Part Number	E	H	K	K2	WT
20	C5-20CIT-20EC	6.80	19.92	4.69	3.38	30
24	C5-20CIT-24EC	7.27	23.88	4.69	3.38	33
30	C5-20CIT-30EC	7.96	29.63	4.69	3.38	38
36	C5-20CIT-36EC	8.64	35.39	4.69	3.38	43
42	C5-20CIT-42EC	8.64	41.39	4.69	3.38	48
48	C5-20CIT-48EC	8.64	47.39	4.69	3.38	52
54	C5-20CIT-54EC	8.64	53.39	4.69	3.38	56
60	C5-20CIT-60EC	8.64	59.39	4.69	3.38	60

35° EQUAL TROUGHING IDLER

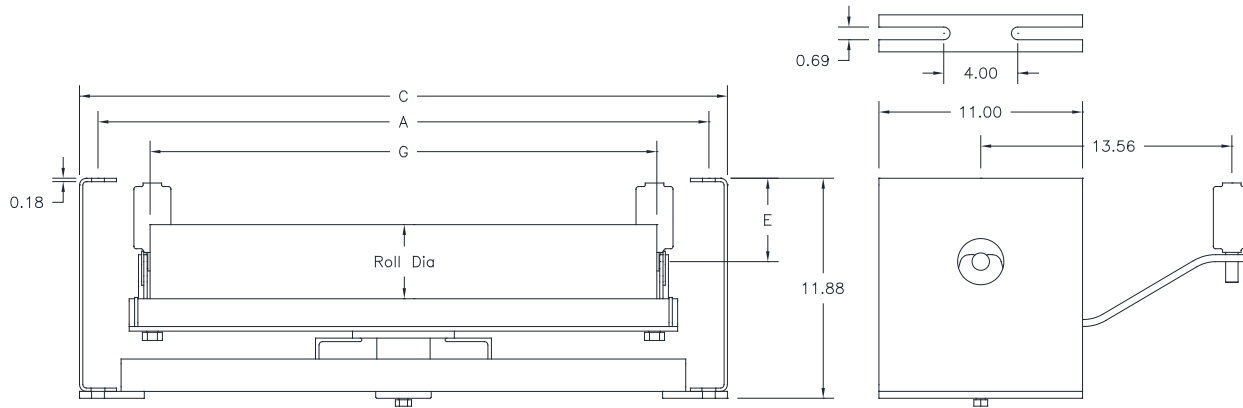
Belt Width	5" Roll Diameter					
	Part Number	E	H	K	K2	WT
20	C5-35CIT-20EC	8.28	18.11	4.69	3.38	33
24	C5-35CIT-24EC	9.06	21.74	4.69	3.38	36
30	C5-35CIT-30EC	10.21	27.02	4.69	3.38	42
36	C5-35CIT-36EC	11.36	32.29	4.69	3.38	47
42	C5-35CIT-42EC	11.36	38.29	4.69	3.38	51
48	C5-35CIT-48EC	11.36	44.29	4.69	3.38	55
54	C5-35CIT-54EC	11.36	50.29	4.69	3.38	60
60	C5-35CIT-60EC	11.36	56.29	4.69	3.38	64

*For Wide Base Idlers add WB to the end of the part number. Add 6 inches to the A dimension.



CHANNEL INSET RETURN

Belt Width	Standard Mount		Web Mount		Standard Dimensions			
	5" Roll Diameter		5" Roll Diameter					
	Part Number	WT	Part Number	WT	A	B	C	G
18	C5-CIR-18EC	12	C5-CIRW-18EC	13	26.00	23.63	28.00	20.50
20	C5-CIR-20EC	13	C5-CIRW-20EC	13	28.00	25.63	30.00	22.50
24	C5-CIR-24EC	14	C5-CIRW-24EC	15	32.00	29.63	34.00	26.50
30	C5-CIR-30EC	17	C5-CIRW-30EC	17	38.00	35.63	40.00	32.50
36	C5-CIR-36EC	19	C5-CIRW-36EC	19	44.00	41.63	46.00	38.50
42	C5-CIR-42EC	21	C5-CIRW-42EC	22	50.00	47.63	52.00	44.50
48	C5-CIR-48EC	23	C5-CIRW-48EC	24	56.00	53.63	58.00	50.50

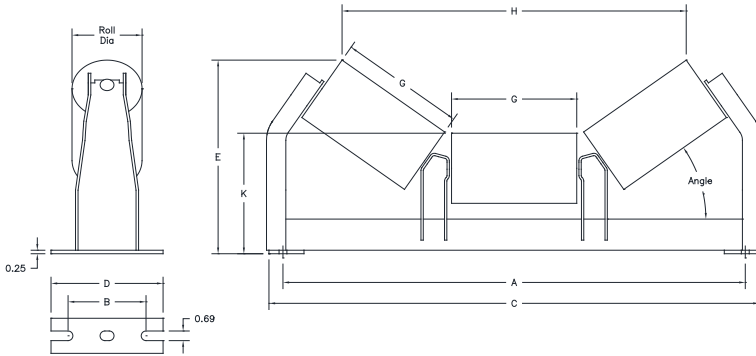


RETURN SELF-ALIGNER

Belt Width	5" Roll Diameter		Standard Dimensions			
	Part Number	WT	A*	C	E	G
18	C5-RSA-18EC	82	27.00	29.00	4.50	21.38
20	C5-RSA-20EC	85	29.00	31.00	4.50	23.38
24	C5-RSA-24EC	90	33.00	35.00	4.50	27.38
30	C5-RSA-30EC	98	39.00	41.00	4.50	33.38
36	C5-RSA-36EC	107	45.00	47.00	4.50	39.38
42	C5-RSA-42EC	121	51.00	53.00	4.50	45.38
48	C5-RSA-48EC	130	57.00	59.00	4.50	51.38

*For Wide Base Idlers add WB to the end of the part number. Add 6 inches to the A dimension.

CEMA D CLASS IDLERS



Belt Width	Standard Dimensions				
	A*	B	C*	D	G
24	33.00	5.56	35.00	8.00	8.94
30	39.00	5.50	41.50	9.50	11.13
36	45.00	5.50	47.50	9.50	13.25
42	51.00	5.50	53.50	9.50	15.44
48	57.00	5.50	59.50	9.50	17.63
54	63.00	7.00	65.50	11.00	19.75
60	69.00	7.00	71.50	11.00	21.75
66	75.00	7.00	77.50	11.00	23.88
72	81.00	7.00	83.50	11.00	26.00

20° TROUGHER EQUAL

Belt Width	5" Roll Diameter					6" Roll Diameter				
	Part Number	E	H	K	WT	Part Number	E	H	K	WT
24	D5-20TE-24CR	11.67	27.02	8.59	42	D6-20TE-24CR	12.14	26.67	9.09	46
30	D5-20TE-30CR	12.54	33.31	8.72	50	D6-20TE-30CR	13.01	32.97	9.22	54
36	D5-20TE-36CR	13.26	39.43	8.72	56	D6-20TE-36CR	13.74	39.09	9.22	60
42	D5-20TE-42CR	14.40	45.73	9.10	71	D6-20TE-42CR	14.87	45.39	9.60	76
48	D5-20TE-48CR	15.15	52.03	9.10	78	D6-20TE-48CR	15.62	51.69	9.60	83
54	D5-20TE-54CR	16.23	58.15	9.45	90	D6-20TE-54CR	16.70	57.81	9.95	96
60	D5-20TE-60CR	16.91	63.91	9.45	97	D6-20TE-60CR	17.38	63.56	9.95	104
66	D5-20TE-66CR	17.64	70.03	9.45	105	D6-20TE-66CR	18.11	69.68	9.95	112
72	D5-20TE-72CR	18.36	76.14	9.45	112	D6-20TE-72CR	18.83	75.80	9.95	120

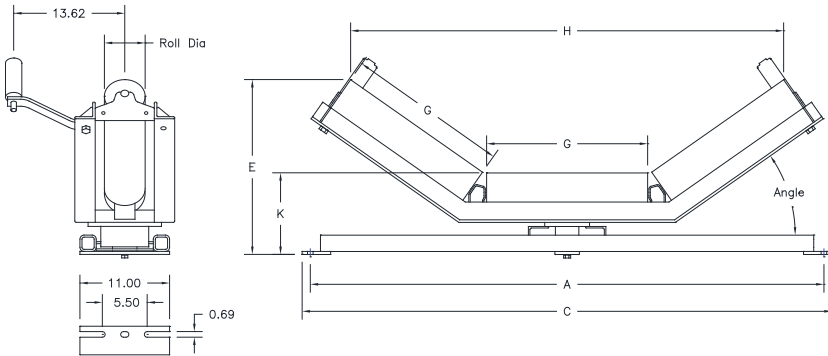
35° TROUGHER EQUAL

Belt Width	5" Roll Diameter					6" Roll Diameter				
	Part Number	E	H	K	WT	Part Number	E	H	K	WT
24	D5-35TE-24CR	13.79	24.53	8.59	44	D6-35TE-24CR	14.20	23.96	9.09	45
30	D5-35TE-30CR	15.17	30.30	8.72	52	D6-35TE-30CR	15.58	29.73	9.22	50
36	D5-35TE-36CR	16.39	35.91	8.72	58	D6-35TE-36CR	16.80	35.37	9.22	54
42	D5-35TE-42CR	18.03	41.68	9.10	73	D6-35TE-42CR	18.44	41.11	9.60	67
48	D5-35TE-48CR	19.28	47.45	9.10	80	D6-35TE-48CR	19.69	46.88	9.60	70
54	D5-35TE-54CR	20.86	53.06	9.45	96	D6-35TE-54CR	21.27	52.49	9.95	85
60	D5-35TE-60CR	22.00	58.34	9.45	103	D6-35TE-60CR	22.41	57.76	9.95	87
66	D5-35TE-66CR	23.22	63.94	9.45	111	D6-35TE-66CR	23.63	63.37	9.95	95
72	D5-35TE-72CR	24.44	69.54	9.45	118	D6-35TE-72CR	24.85	68.97	9.95	104

45° TROUGHER EQUAL

Belt Width	5" Roll Diameter					6" Roll Diameter				
	Part Number	E	H	K	WT	Part Number	E	H	K	WT
24	D5-45TE-24CR	15.09	22.71	8.59	46	D6-45TE-24CR	15.45	22.00	9.09	50
30	D5-45TE-30CR	16.76	27.99	8.72	54	D6-45TE-30CR	17.12	27.28	9.22	58
36	D5-45TE-36CR	18.26	33.12	8.72	61	D6-45TE-36CR	18.62	32.41	9.22	66
42	D5-45TE-42CR	20.20	38.40	9.10	75	D6-45TE-42CR	20.55	37.70	9.60	71
48	D5-45TE-48CR	21.74	43.68	9.10	84	D6-45TE-48CR	22.10	42.97	9.60	90
54	D5-45TE-54CR	23.60	48.81	9.45	98	D6-45TE-54CR	23.95	48.10	9.95	105
60	D5-45TE-60CR	25.01	53.64	9.45	107	D6-45TE-60CR	25.37	52.93	9.95	114
66	D5-45TE-66CR	26.52	58.77	9.45	115	D6-45TE-66CR	26.87	58.06	9.95	122
72	D5-45TE-72CR	28.02	63.90	9.45	122	D6-45TE-72CR	28.37	63.19	9.95	130

*For Wide Base Idlers add WB to the end of the part number. Add 6 inches to the A dimension. The C dimension for all wide base part numbers is the wide base A dimension plus 2.5 inches.



Belt Width	Standard Dimensions		
	A*	C*	G
24	33.00	35.00	8.94
30	39.00	41.00	11.13
36	45.00	47.00	13.25
42	51.00	53.00	15.44
48	57.00	59.00	17.63
54	63.00	65.00	19.75
60	69.00	71.00	21.75
66	75.00	77.00	23.88
72	81.00	83.00	26.00

20° TROUGHER EQUAL SELF-ALIGNER

Belt Width	5" Roll Diameter					6" Roll Diameter				
	Part Number	E	H	K	WT	Part Number	E	H	K	WT
24	D5-20TESA-24CR	12.08	27.02	9.00	106	D6-20TESA-24CR	12.55	26.67	9.50	110
30	D5-20TESA-30CR	12.83	33.31	9.00	117	D6-20TESA-30CR	13.30	32.97	9.50	212
36	D5-20TESA-36CR	13.56	39.43	9.00	127	D6-20TESA-36CR	14.03	39.09	9.50	132
42	D5-20TESA-42CR	14.80	45.73	9.50	149	D6-20TESA-42CR	15.27	45.39	10.00	154
48	D5-20TESA-48CR	15.55	52.03	9.50	161	D6-20TESA-48CR	16.02	51.69	10.00	167
54	D5-20TESA-54CR	16.78	58.15	10.00	201	D6-20TESA-54CR	17.25	57.81	10.50	207
60	D5-20TESA-60CR	17.46	63.91	10.00	215	D6-20TESA-60CR	17.93	63.56	10.50	222

35° TROUGHER EQUAL SELF-ALIGNER

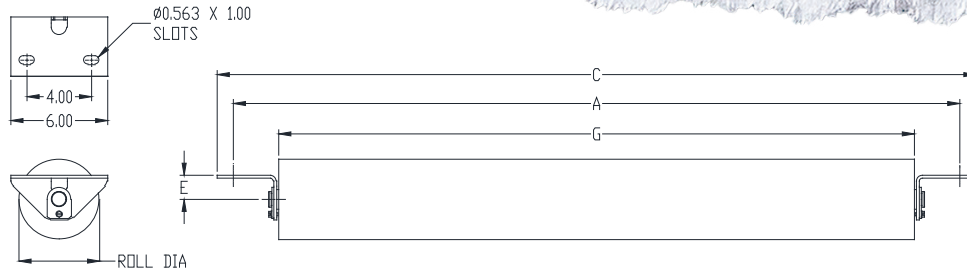
Belt Width	5" Roll Diameter					6" Roll Diameter				
	Part Number	E	H	K	WT	Part Number	E	H	K	WT
24	D5-35TESA-24CR	14.20	24.53	9.00	110	D6-35TESA-24CR	14.61	23.96	9.50	114
30	D5-35TESA-30CR	15.46	30.30	9.00	120	D6-35TESA-30CR	15.87	29.73	9.50	125
36	D5-35TESA-36CR	16.68	35.91	9.00	131	D6-35TESA-36CR	17.09	35.34	9.50	136
42	D5-35TESA-42CR	18.43	41.68	9.50	153	D6-35TESA-42CR	18.84	41.11	10.00	158
48	D5-35TESA-48CR	19.69	47.45	9.50	165	D6-35TESA-48CR	20.10	46.88	10.00	171
54	D5-35TESA-54CR	21.41	53.06	10.00	204	D6-35TESA-54CR	21.82	52.49	10.50	212
60	D5-35TESA-60CR	23.59	58.34	10.00	220	D6-35TESA-60CR	23.94	57.76	10.50	226

45° TROUGHER EQUAL SELF-ALIGNER

Belt Width	5" Roll Diameter					6" Roll Diameter				
	Part Number	E	H	K	WT	Part Number	E	H	K	WT
24	D5-45TESA-24CR	15.49	22.70	9.00	110	D6-45TESA-24CR	15.84	22.00	9.50	114
30	D5-45TESA-30CR	17.03	27.99	9.00	121	D6-45TESA-30CR	17.39	27.28	9.50	125
36	D5-45TESA-36CR	18.53	33.12	9.00	131	D6-45TESA-36CR	18.89	32.41	9.50	136
42	D5-45TESA-42CR	20.58	38.40	9.50	154	D6-45TESA-42CR	20.94	37.69	10.00	159
48	D5-45TESA-48CR	22.13	43.68	9.50	166	D6-45TESA-48CR	22.48	42.97	10.00	172
54	D5-45TESA-54CR	24.13	48.81	10.00	207	D6-45TESA-54CR	24.48	48.10	10.50	214
60	D5-45TESA-60CR	25.55	53.64	10.00	221	D6-45TESA-60CR	25.90	52.93	10.50	228

*For Wide Base Idlers add WB to the end of the part number. Add 6 inches to the A dimension. The C dimension for all wide base part numbers is the wide base A dimension plus 2.5 inches.

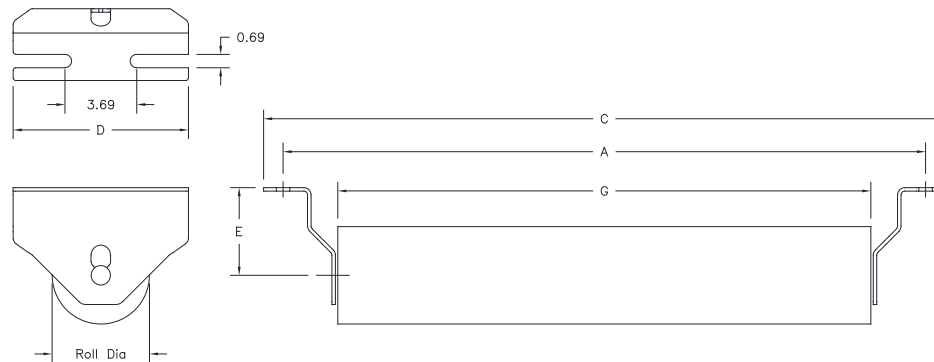
CEMA D CLASS IDLERS



RETURN 1 1/2" DROP

Belt Width	5" Roll Diameter		6" Roll Diameter		Standard Dimensions		
	Opt E=1 1/2"	WT	Opt E=1 1/2"	WT	A	C	G
	Part Number		Part Number				
24	D5-R-24CR-1	21	D6-R-24CR-1	24	33.00	35.00	27.38
30	D5-R-30CR-1	24	D6-R-30CR-1	28	39.00	41.00	33.38
36	D5-R-36CR-1	31	D6-R-36CR-1	36	45.00	47.00	39.38
42	D5-R-42CR-1	35	D6-R-42CR-1	40	51.00	53.00	45.38
48	D5-R-48CR-1	39	D6-R-48CR-1	45	57.00	59.00	51.38
54	D5-R-54CR-1	43	D6-R-54CR-1	49	63.00	65.00	57.38
60	D5-R-60CR-1	46	D6-R-60CR-1	54	69.00	71.00	63.38
66	D5-R-66CR-1	50	D6-R-66CR-1	58	75.00	77.00	69.38
72	D5-R-72CR-1	54	D6-R-72CR-1	62	81.00	83.00	75.38

For Wide Base option use the next larger belt width idler.

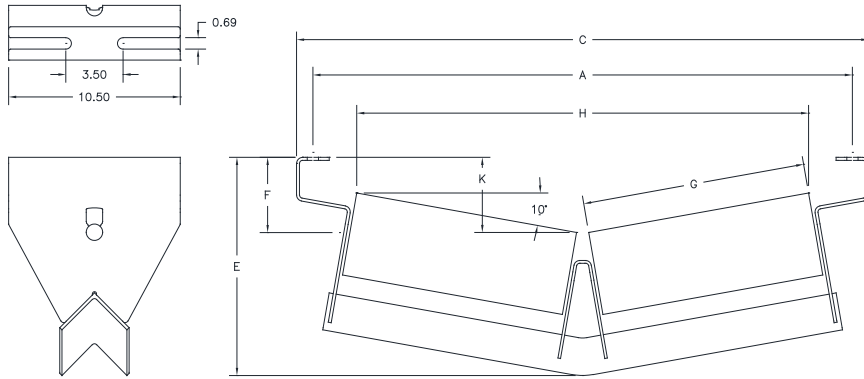


RETURN 4 1/2" DROP

Belt Width	5" Roll Diameter		6" Roll Diameter		Standard Dimensions		
	Std E=4 1/2"	WT	Std E=4 1/2"	WT	A	C	G
	Part Number		Part Number				
24	D5-R-24CR	23	D6-R-24CR	26	33.00	35.00	27.38
30	D5-R-30CR	27	D6-R-30CR	30	39.00	41.00	33.38
36	D5-R-36CR	33	D6-R-36CR	38	45.00	47.00	39.38
42	D5-R-42CR	37	D6-R-42CR	42	51.00	53.00	45.38
48	D5-R-48CR	41	D6-R-48CR	47	57.00	59.00	51.38
54	D5-R-54CR	45	D6-R-54CR	51	63.00	65.00	57.38
60	D5-R-60CR	49	D6-R-60CR	56	69.00	71.00	63.38
66	D5-R-66CR	53	D6-R-66CR	60	75.00	77.00	69.38
72	D5-R-72CR	56	D6-R-72CR	65	81.00	83.00	75.38

For Wide Base option use the next larger belt width idler.

CEMA D CLASS IDLERS



Belt Width	Standard Dimensions		
	A	C	G
24	33.00	35.00	13.63
30	39.00	41.00	16.69
36	45.00	47.00	19.75
42	51.00	53.00	22.81
48	57.00	59.00	25.88
54	63.00	65.00	28.88
60	69.00	71.00	31.94
66	75.00	77.00	35.00
72	81.00	83.00	38.00

V-RETURN IDLER (STD F = 4 1/2")

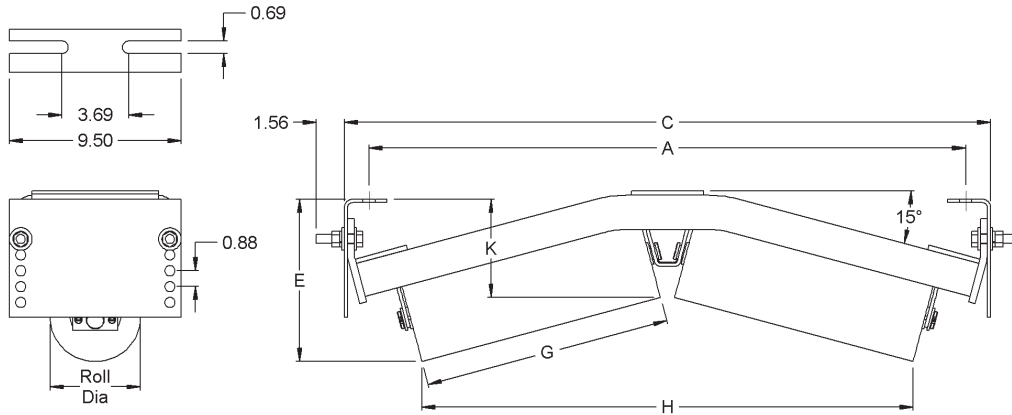
Belt Width	5" Roll Diameter					6" Roll Diameter				
	Part Number	E	H	K	WT	Part Number	E	H	K	WT
24	D5-10VR-24CR-4	13.07	27.52	4.53	44	D6-10VR-24CR-4	13.07	27.35	4.03	47
30	D5-10VR-30CR-4	13.60	33.52	5.06	49	D6-10VR-30CR-4	13.60	33.35	4.56	53
36	D5-10VR-36CR-4	14.13	39.52	5.58	54	D6-10VR-36CR-4	14.13	39.35	5.09	58
42	D5-10VR-42CR-4	14.66	45.56	6.11	59	D6-10VR-42CR-4	14.66	45.38	5.62	64
48	D5-10VR-48CR-4	15.19	51.53	6.64	65	D6-10VR-48CR-4	15.19	51.35	6.15	70
54	D5-10VR-54CR-4	16.10	57.50	7.17	81	D6-10VR-54CR-4	16.10	57.32	6.68	87
60	D5-10VR-60CR-4	16.63	69.56	7.70	87	D6-10VR-60CR-4	16.63	63.36	7.21	93
66	D5-10VR-66CR-4	17.16	69.56	8.23	93	D6-10VR-66CR-4	17.16	69.39	7.74	100
72	D5-10VR-72CR-4	17.69	75.47	8.76	100	D6-10VR-72CR-4	17.69	75.30	8.27	107

V-RETURN IDLER (F = 7")

Belt Width	5" Roll Diameter					6" Roll Diameter				
	Part Number	E	H	K	WT	Part Number	E	H	K	WT
24	D5-10VR-24CR-7	15.57	27.52	7.03	46	D6-10VR-24CR-7	15.57	27.35	6.53	50
30	D5-10VR-30CR-7	16.10	33.52	7.56	51	D6-10VR-30CR-7	16.10	33.35	7.06	55
36	D5-10VR-36CR-7	16.63	39.52	8.08	57	D6-10VR-36CR-7	16.63	39.35	7.59	61
42	D5-10VR-42CR-7	17.16	45.56	8.61	62	D6-10VR-42CR-7	17.16	45.38	8.12	67
48	D5-10VR-48CR-7	17.69	51.53	9.14	68	D6-10VR-48CR-7	17.69	51.35	8.65	73
54	D5-10VR-54CR-7	18.60	57.50	9.67	83	D6-10VR-54CR-7	18.60	57.32	9.18	89
60	D5-10VR-60CR-7	19.13	63.53	10.20	90	D6-10VR-60CR-7	19.13	63.36	9.71	96
66	D5-10VR-66CR-7	19.66	69.56	10.73	96	D6-10VR-66CR-7	19.66	69.39	10.24	103
72	D5-10VR-72CR-7	20.19	75.47	11.26	102	D6-10VR-72CR-7	20.19	75.30	10.77	109

For Wide Base option use the next larger belt width idler.

CEMA D CLASS IDLERS



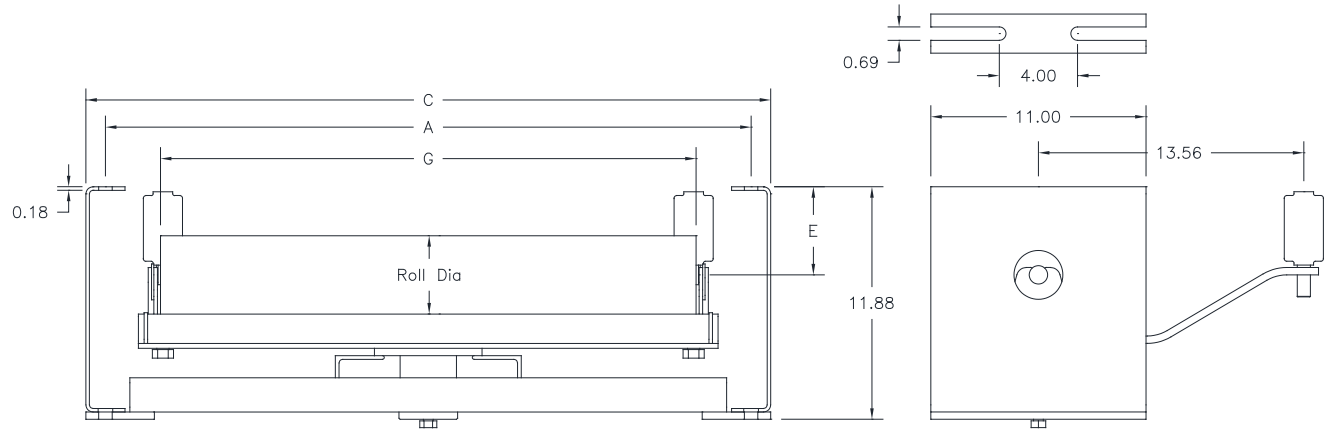
Belt Width	Standard Dimensions		
	A	C	G
24	33.00	35.75	13.66
30	39.00	41.75	16.70
36	45.00	47.75	19.75
42	51.00	53.75	22.81
48	57.00	59.75	25.84
54	63.00	65.75	28.88
60	69.00	71.75	31.94
66	75.00	77.75	35.00
72	81.00	83.75	38.00
78	87.00	89.75	41.05

INVERTED V-RETURN

Belt Width	5" Roll Diameter					6" Roll Diameter				
	Part Number	E	H	K	WT	Part Number	E	H	K	WT
24	D5-15IVR-24CR-4	8.94	27.16	5.41	61	D6-15IVR-24CR-4	9.42	26.91	5.89	65
30	D5-15IVR-30CR-4	8.93	33.05	4.60	67	D6-15IVR-30CR-4	9.41	32.79	5.08	71
36	D5-15IVR-36CR-4	8.91	38.94	3.80	73	D6-15IVR-36CR-4	9.39	38.68	4.28	78
42	D5-15IVR-42CR-4	8.90	44.85	3.00	79	D6-15IVR-42CR-4	9.38	44.59	3.48	84
48	D5-15IVR-48CR-4	8.88	50.71	2.19	86	D6-15IVR-48CR-4	9.36	50.45	2.67	91
54	D5-15IVR-54CR-4	8.86	56.57	1.39	92	D6-15IVR-54CR-4	9.34	56.31	1.87	97
60	D5-15IVR-60CR-4	8.85	62.48	0.58	98	D6-15IVR-60CR-4	9.33	62.22	1.06	104
66	D5-15IVR-66CR-4	8.84	68.40	0.22	104	D6-15IVR-66CR-4	9.32	68.14	0.26	110
72	D5-15IVR-72CR-4	8.81	74.19	-1.02	110	D6-15IVR-72CR-4	9.29	73.93	-0.54	117
78	D5-15IVR-78CR-4	8.80	80.09	-1.83	123	D6-15IVR-78CR-4	9.28	79.83	-1.34	132

For Wide Base option use the next larger belt width idler.

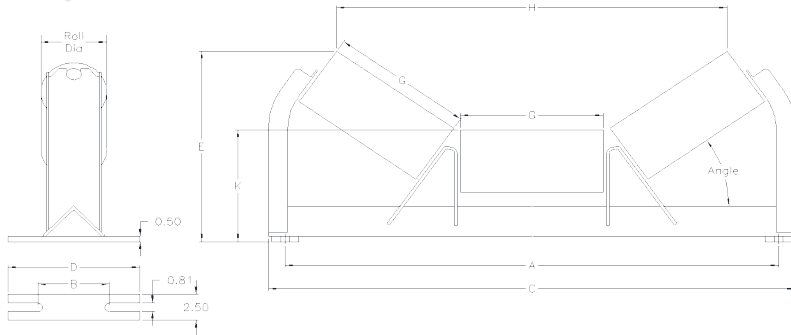
CEMA D CLASS IDLERS



RETURN SELF-ALIGNER

Belt Width	5" Roll Diameter				6" Roll Diameter				Standard Dimensions			
	E=4 1/2"	WT	E=1 1/2"	WT	E=4 1/2"	WT	E=1 1/2"	WT	A*	C	E	G
24	D5-RSA-24CR	96	D5-RSA-24CR-1	93	D6-RSA-24CR	99	D6-RSA-24CR-1	96	33.00	35.00	4.50	27.38
30	D5-RSA-30CR	105	D5-RSA-30CR-1	102	D6-RSA-30CR	108	D6-RSA-30CR-1	105	39.00	41.00	4.50	33.38
36	D5-RSA-36CR	118	D5-RSA-36CR-1	115	D6-RSA-36CR	122	D6-RSA-36CR-1	119	45.00	47.00	4.50	39.38
42	D5-RSA-42CR	143	D5-RSA-42CR-1	140	D6-RSA-42CR	148	D6-RSA-42CR-1	145	51.00	53.00	4.50	45.38
48	D5-RSA-48CR	155	D5-RSA-48CR-1	152	D6-RSA-48CR	161	D6-RSA-48CR-1	158	57.00	59.00	4.50	51.38
54	D5-RSA-54CR	167	D5-RSA-54CR-1	164	D6-RSA-54CR	173	D6-RSA-54CR-1	170	63.00	65.00	4.50	57.38
60	D5-RSA-60CR	178	D5-RSA-60CR-1	175	D6-RSA-60CR	186	D6-RSA-60CR-1	183	69.00	71.00	4.50	63.38

*For Wide Base Idlers add WB to the end of the part number. Add 6 inches to the A dimension.



Belt Width	Standard Dimensions			
	A*	B	D	G
36	45.00	7.50	12.00	13.00
42	51.00	7.50	12.00	15.00
48	57.00	7.50	12.00	17.75
54	63.00	7.50	12.00	19.75
60	69.00	7.50	12.00	21.75
66	75.00	8.50	12.00	23.75
72	81.00	8.50	12.00	25.75
78	87.00	8.50	12.00	27.75
84	93.00	9.00	14.50	29.75
90	99.00	9.00	14.50	31.75
96	105.00	9.00	14.50	33.75

20° TROUGHER EQUAL

Belt Width	6" Roll Diameter						7" Roll Diameter					
	Part Number	C*	E	H	K	WT	Part Number	C*	E	H	K	WT
36	E6P-20TE-36SB	48.81	15.33	39.69	10.70	105	E7P-20TE-36SB	48.81	15.80	39.35	11.20	110
42	E6P-20TE-42SB	54.56	16.02	45.45	10.70	116	E7P-20TE-42SB	54.56	16.49	45.11	11.20	122
48	E6P-20TE-48SB	62.50	16.96	53.37	10.70	130	E7P-20TE-48SB	62.50	17.43	53.03	11.20	136
54	E6P-20TE-54SB	68.25	17.67	59.13	10.73	140	E7P-20TE-54SB	68.25	18.14	58.78	11.23	147
60	E6P-20TE-60SB	74.00	18.36	64.89	10.73	150	E7P-20TE-60SB	74.00	18.83	64.54	11.23	157
66	E6P-20TE-66SB	79.75	19.75	70.64	11.44	190	E7P-20TE-66SB	79.75	20.22	70.30	11.94	198
72	E6P-20TE-72SB	85.56	20.43	76.40	11.44	202	E7P-20TE-72SB	85.56	20.90	76.06	11.94	210
78	E6P-20TE-78SB	91.31	21.12	82.16	11.44	213	E7P-20TE-78SB	91.31	21.59	81.82	11.94	222
84	E6P-20TE-84SB	97.06	21.89	87.92	11.53	270	E7P-20TE-84SB	97.06	22.36	87.58	12.03	279
90	E6P-20TE-90SB	102.81	22.58	93.68	11.53	290	E7P-20TE-90SB	102.81	23.05	93.34	12.03	299
96	E6P-20TE-96SB	108.56	23.26	99.44	11.53	299	E7P-20TE-96SB	108.56	23.73	99.10	12.03	309

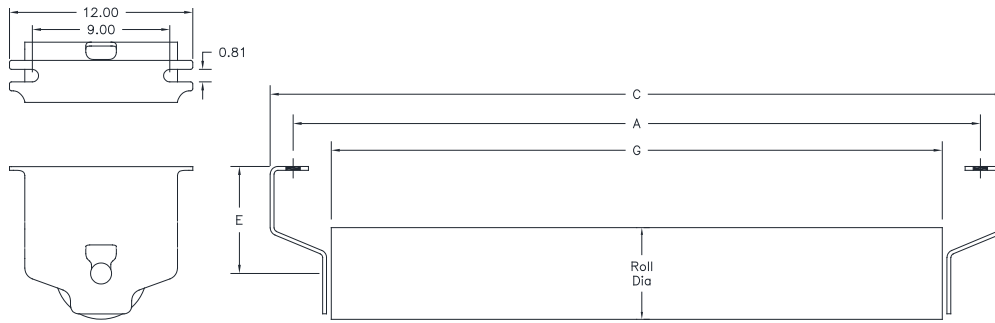
35° TROUGHER EQUAL

Belt Width	6" Roll Diameter						7" Roll Diameter					
	Part Number	C*	E	H	K	WT	Part Number	C*	E	H	K	WT
36	E6P-35TE-36CR	48.06	18.32	35.50	10.70	109	E7P-35TE-36CR	48.06	18.73	34.93	11.20	114
42	E6P-35TE-42CR	53.50	19.47	40.78	10.70	119	E7P-35TE-42CR	53.50	19.88	40.20	11.20	125
48	E6P-35TE-48CR	60.63	21.05	48.03	10.70	133	E7P-35TE-48CR	60.63	21.46	47.46	11.20	139
54	E6P-35TE-54CR	65.88	22.23	53.31	10.73	143	E7P-35TE-54CR	65.88	22.64	52.74	11.23	150
60	E6P-35TE-60CR	71.50	23.37	58.59	10.73	153	E7P-35TE-60CR	71.50	23.78	58.01	11.23	161
66	E6P-35TE-66CR	77.50	25.23	63.86	11.44	194	E7P-35TE-66CR	77.50	25.64	63.29	11.94	202
72	E6P-35TE-72CR	83.50	26.38	69.14	11.44	206	E7P-35TE-72CR	83.50	26.79	68.57	11.94	214
78	E6P-35TE-78CR	89.50	27.52	74.42	11.44	219	E7P-35TE-78CR	89.50	27.93	73.84	11.94	227
84	E6P-35TE-84CR	95.50	28.76	79.69	11.53	275	E7P-35TE-84CR	95.50	29.17	79.12	12.03	284
90	E6P-35TE-90CR	101.50	29.91	84.97	11.53	295	E7P-35TE-90CR	101.50	30.32	84.40	12.03	304
96	E6P-35TE-96CR	107.50	31.06	90.25	11.53	305	E7P-35TE-96CR	107.50	31.47	89.67	12.03	315

45° TROUGHER EQUAL

Belt Width	6" Roll Diameter						7" Roll Diameter					
	Part Number	C*	E	H	K	WT	Part Number	C*	E	H	K	WT
36	E6P-45TE-36CR	47.50	20.10	32.55	10.70	112	E7P-45TE-36CR	47.50	20.45	31.84	11.20	117
42	E6P-45TE-42CR	53.50	21.51	37.38	10.70	122	E7P-45TE-42CR	53.50	21.86	36.67	11.20	128
48	E6P-45TE-48CR	59.50	23.45	44.01	10.70	136	E7P-45TE-48CR	59.50	23.81	43.31	11.20	142
54	E6P-45TE-54CR	65.50	24.90	48.84	10.73	147	E7P-45TE-54CR	65.50	25.25	48.14	11.23	154
60	E6P-45TE-60CR	71.50	26.31	53.67	10.73	157	E7P-45TE-60CR	71.50	26.67	52.96	11.23	164
66	E6P-45TE-66CR	77.50	28.44	58.50	11.44	198	E7P-45TE-66CR	77.50	28.79	57.79	11.94	206
72	E6P-45TE-72CR	83.50	29.85	63.33	11.44	210	E7P-45TE-72CR	83.50	30.20	62.62	11.94	219
78	E6P-45TE-78CR	89.50	31.26	68.16	11.44	223	E7P-45TE-78CR	89.50	31.62	67.45	11.94	232
84	E6P-45TE-84CR	95.50	32.77	72.98	11.53	279	E7P-45TE-84CR	95.50	33.13	72.28	12.03	288
90	E6P-45TE-90CR	101.50	34.19	77.81	11.53	300	E7P-45TE-90CR	101.50	34.54	77.11	12.03	309
96	E6P-45TE-96CR	107.50	35.60	82.64	11.53	310	E7P-45TE-96CR	107.50	35.95	81.93	12.03	320

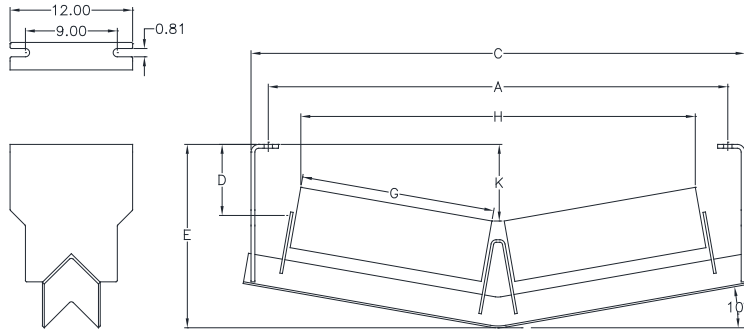
*For Wide Base Idlers add WB to the end of the part number. Add 6 inches to the A dimension. The C dimension for all wide base part numbers is the wide base A dimension plus 2.5 inches.



FLAT RETURN 7" DROP

Belt Width	6" Roll Diameter		7" Roll Diameter		Standard Dimensions			
	Part Number	WT	Part Number	WT	A	C	E	G
36	E6P-R-36CR	70	E7P-R-36CR	74	45.00	48.50	7.00	40.00
42	E6P-R-42CR	77	E7P-R-42CR	82	51.00	54.50	7.00	46.00
48	E6P-R-48CR	84	E7P-R-48CR	89	57.00	60.50	7.00	52.00
54	E6P-R-54CR	91	E7P-R-54CR	97	63.00	66.50	7.00	58.00
60	E6P-R-60CR	98	E7P-R-60CR	104	69.00	72.50	7.00	64.00
66	E6P-R-66CR	104	E7P-R-66CR	112	75.00	78.50	7.00	70.00
72	E6P-R-72CR	111	E7P-R-72CR	119	81.00	84.50	7.00	76.00
78	E6P-R-78CR	118	E7P-R-78CR	127	87.00	90.50	7.00	82.00
84	E6P-R-84CR	125	E7P-R-84CR	134	93.00	96.50	7.00	88.00
90	E6P-R-90CR	132	E7P-R-90CR	142	99.00	102.50	7.00	94.00

For Wide Base option use the next larger belt width idler.



Belt Width	Standard Dimensions		
	A	C	G
36	45.00	48.38	19.00
42	51.00	54.38	22.00
48	57.00	60.38	25.13
54	63.00	66.38	28.13
60	69.00	72.38	31.13
66	75.00	78.38	34.25
72	81.00	84.38	37.25
78	87.00	90.38	40.38
84	93.00	96.38	43.38
90	99.00	102.38	46.38
96	105.00	108.38	49.50
102	111.00	114.38	52.50

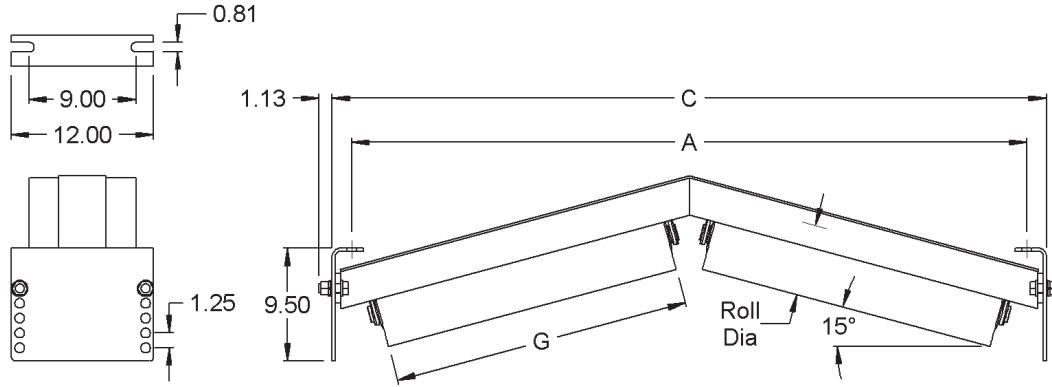
V-RETURN 7" DROP

Belt Width	6" Roll Diameter						7" Roll Diameter					
	Part Number	D	E	H	K	WT	Part Number	D	E	H	K	WT
36	E6P-10VR-36CR-7	7.00	17.89	38.75	7.50	117	E7P-10VR-36CR-7	7.00	17.89	38.58	7.00	122
42	E6P-10VR-42CR-7	7.00	18.42	44.66	8.01	127	E7P-10VR-42CR-7	7.00	18.42	44.49	7.52	132
48	E6P-10VR-48CR-7	7.00	18.95	50.82	8.54	138	E7P-10VR-48CR-7	7.00	18.95	50.64	8.05	143
54	E6P-10VR-54CR-7	7.00	19.48	56.73	9.07	147	E7P-10VR-54CR-7	7.00	19.48	56.55	8.58	153
60	E6P-10VR-60CR-7	7.00	20.01	62.63	9.60	157	E7P-10VR-60CR-7	7.00	20.01	62.46	9.11	163
66	E6P-10VR-66CR-7	7.00	20.53	68.79	10.13	170	E7P-10VR-66CR-7	7.00	20.53	68.62	9.64	176
72	E6P-10VR-72CR-7	7.00	21.06	74.70	10.66	179	E7P-10VR-72CR-7	7.00	21.06	74.52	10.17	186
78	E6P-10VR-78CR-7	7.00	21.59	80.85	11.19	229	E7P-10VR-78CR-7	7.00	21.59	80.68	10.70	238
84	E6P-10VR-84CR-7	7.00	22.86	86.76	11.72	241	E7P-10VR-84CR-7	7.00	22.86	86.59	11.23	251
90	E6P-10VR-90CR-7	7.00	23.39	92.67	12.25	253	E7P-10VR-90CR-7	7.00	23.39	92.50	11.75	264
96	E6P-10VR-96CR-7	7.00	23.92	98.83	12.78	266	E7P-10VR-96CR-7	7.00	23.92	98.65	12.28	277
102	E6P-10VR-102CR-7	7.00	24.45	104.73	13.30	277	E7P-10VR-102CR-7	7.00	24.45	104.56	12.81	289

V-RETURN 4 1/2" DROP

Belt Width	6" Roll Diameter						7" Roll Diameter					
	Part Number	D	E	H	K	WT	Part Number	D	E	H	K	WT
36	E6P-10VR-36CR-4	4.50	15.39	38.75	5.00	11	E7P-10VR-36CR-4	4.50	15.39	38.58	4.50	116
42	E6P-10VR-42CR-4	4.50	15.92	44.66	5.51	124	E7P-10VR-42CR-4	4.50	15.92	44.49	5.02	126
48	E6P-10VR-48CR-4	4.50	16.45	50.82	6.04	131	E7P-10VR-48CR-4	4.50	16.45	50.64	5.56	137
54	E6P-10VR-54CR-4	4.50	16.98	56.73	6.57	141	E7P-10VR-54CR-4	4.50	16.98	56.55	6.08	147
60	E6P-10VR-60CR-4	4.50	17.50	62.63	7.10	151	E7P-10VR-60CR-4	4.50	17.50	62.46	6.61	157
66	E6P-10VR-66CR-4	4.50	18.03	68.79	7.63	164	E7P-10VR-66CR-4	4.50	18.03	68.62	7.14	170
72	E6P-10VR-72CR-4	4.50	18.56	74.70	8.16	173	E7P-10VR-72CR-4	4.50	18.56	74.52	7.67	180
78	E6P-10VR-78CR-4	4.50	19.09	80.85	8.69	223	E7P-10VR-78CR-4	4.50	19.09	80.68	8.20	232
84	E6P-10VR-84CR-4	4.50	20.36	86.76	9.22	235	E7P-10VR-84CR-4	4.50	20.36	86.59	8.73	245
90	E6P-10VR-90CR-4	4.50	20.89	92.67	9.75	247	E7P-10VR-90CR-4	4.50	20.89	92.50	9.25	247
96	E6P-10VR-96CR-4	4.50	21.42	98.83	10.28	259	E7P-10VR-96CR-4	4.50	21.42	98.65	9.78	270
102	E6P-10VR-102CR-4	4.50	21.95	104.73	10.80	271	E7P-10VR-102CR-4	4.50	21.95	104.56	10.31	282

For Wide Base option use the next larger belt width idler.



INVERTED V-RETURN

Belt Width	6" Roll Diameter		7" Roll Diameter		Standard Dimensions		
	Part Number	WT	Part Number	WT	A	C	G
36	E6P15IVR36CR-7	124	E7P15IVR36CR-7	128	45.00	48.25	19.75
42	E6P15IVR42CR-7	135	E7P15IVR42CR-7	140	51.00	54.25	21.75
48	E6P15IVR48CR-7	147	E7P15IVR48CR-7	153	57.00	60.25	25.75
54	E6P15IVR54CR-7	159	E7P15IVR54CR-7	164	63.00	66.25	28.00
60	E6P15IVR60CR-7	170	E7P15IVR60CR-7	176	69.00	72.25	31.75
66	E6P15IVR66CR-7	182	E7P15IVR66CR-7	188	75.00	78.25	34.75
72	E6P15IVR72CR-7	193	E7P15IVR72CR-7	200	81.00	84.25	37.75
78	E6P15IVR78CR-7	214	E7P15IVR78CR-7	223	87.00	90.25	40.31
84	E6P15IVR84CR-7	226	E7P15IVR84CR-7	236	93.00	96.25	43.75
90	E6P15IVR90CR-7	238	E7P15IVR90CR-7	249	99.00	102.25	46.38
96	E6P15IVR96CR-7	250	E7P15IVR96CR-7	261	105.00	108.25	49.50
102	E6P15IVR102CR-7	262	E7P15IVR102CR-7	273	111.00	114.25	52.75

For Wide Base option use the next larger belt width idler.

WEIGHT COMPARISON



C5 6204 Trougher Roll									
	18"	20"	24" TE	30" TE	36" TE	42" TE	48" TE	54" TE	60" TE
Steel	7.03	7.69	8.85	10.53	12.15	13.83	15.5	17.13	18.66
Composite (solid shaft)	4.57	4.89	5.34	6.18	6.92	7.75	8.55	9.32	10.06
% weight reduction	35%	36%	40%	41%	43%	44%	45%	46%	46%

C5 6204 Return Roll					
	24" FL	30" FL	36" FL	42" FL	48" FL
Steel	22.96	28	32.14	36.73	41.88
Composite (solid shaft)	12.23	14.43	16.6	18.83	21.01
% weight reduction	47%	48%	48%	49%	50%

D 5 6305 Trougher Roll									
	24" TE	30" TE	36" TE	42" TE	48" TE	54" TE	60" TE	66" TE	72" TE
Steel	11.07	12.95	14.78	16.67	19.45	20.39	22.97	23.94	25.77
Composite (solid shaft)	7.4	8.61	9.77	10.98	12.19	13.35	14.45	15.8	16.97
% weight reduction	33%	34%	34%	34%	37%	35%	37%	34%	34%

D 5 6305 Trougher Roll									
	24" FL	30" FL	36" FL	42" FL	48" FL	54" FL	60" FL	66"	72" FL
Steel	26.9	32.13	40.65	42.47	50.04	52.82	57.94	71.50	77.55
Composite (solid shaft)	17.73	21.03	27.79	31.63	35.48	39.32	43.16	47.00	50.84
% weight reduction	34%	35%	32%	26%	29%	26%	26%	34%	34%

D 6 6305 Trougher Roll									
	24" TE	30" TE	36" TE	42" TE	48" TE	54" TE	60" TE	66" TE	72" TE
Steel	13.35	15.72	18.01	20.37	22.72	25.03	27.19	29.93	30.37
Composite (solid shaft)	8.68	10.06	11.44	12.78	14.16	15.49	16.75	18.26	19.61
% weight reduction	35%	36%	36%	37%	38%	38%	38%	39%	35%

D 6 6305 Return Roll									
	24" FL	30" FL	36" FL	42" FL	48" FL	54" FL	60" FL	66"	72" FL
Steel	33.95	40.19	50.01	53.15	62.02	66.11	72.59	87.4	94.7
Composite (solid shaft)	20.46	24.25	32.4	36.86	41.33	45.78	50.24	54.7	59.16
% weight reduction	40%	40%	35%	31%	33%	31%	31%	37%	38%

E6 6308 Troughing Roll											
	36" TE	42" TE	48" TE	54" TE	60" TE	66" TE	72" TE	78" TE	84" TE	90" TE	96" TE
Steel	26.05	28.96	32.96	35.87	38.77	41.68	44.59	47.5	50.41	53.31	56.22
Composite (solid shaft)	19.07	21.15	24.01	26.09	28.17	30.26	32.34	34.42	36.5	38.58	40.66
% weight reduction	27%	27%	27%	27%	27%	27%	27%	28%	28%	28%	28%
Composite (hollow shaft)	23.5	24.7	26.4	27.7	28.9	30.2	31.5	32.7	34	35.2	36.5
% weight reduction	N/A	N/A	N/A	N/A	N/A	N/A	29%	31%	33%	34%	35%

WEIGHT COMPARISON



E6 6308 Return Roll												
	36" FL	42" FL	48" FL	54" FL	60" FL	66" FL	72" FL	78" FL	84" FL	90" FL	96" FL	102" FL
Steel	65.31	74.034	82.76	91.48	100.21	108.93	117.65	126.38	135.1	143.83	152.55	161.27
Composite (solid shaft)	51.62	58.55	65.48	72.4	79.33	86.26	93.18	100.11	107.04	113.96	120.89	127.82
% weight reduction	21%	21%	21%	21%	21%	21%	21%	21%	21%	21%	21%	21%
Composite (hollow shaft)	44.9	49.3	53.8	58.2	62.7	67.1	71.5	76	80.4	84.9	89.3	93.8
% weight reduction	31%	33%	35%	36%	37%	38%	39%	40%	40%	41%	41%	42%

E7 6308 Troughing Roll											
	36" TE	42" TE	48" TE	54" TE	60" TE	66" TE	72" TE	78" TE	84" TE	90" TE	96" TE
Steel	29.46	32.74	37.24	40.52	43.8	47.07	50.35	53.62	56.9	60.18	63.45
Composite (solid shaft)	20.92	23.14	26.18	28.39	30.61	32.82	35.08	37.25	39.46	41.68	43.89
% weight reduction	29%	29%	30%	30%	30%	30%	30%	31%	31%	31%	31%
Composite (hollow shaft)	25.30	26.70	28.60	29.99	31.38	32.76	34.15	35.54	36.93	38.32	39.70
% weight reduction	N/A	N/A	N/A	N/A	N/A	N/A	32%	34%	35%	36%	37%

E7 6308 Return Roll												
	36" FL	42" FL	48" FL	54" FL	60" FL	66" FL	72" FL	78" FL	84" FL	90" FL	96" FL	102" FL
Steel	73.69	83.52	93.35	103.17	113	122.83	132.66	142.49	152.31	162.14	171.97	181.8
Composite (solid shaft)	56.23	63.71	71.19	78.67	86.15	93.63	101.11	108.59	116.7	123.55	131.03	138.51
% weight reduction	24%	24%	24%	24%	24%	24%	24%	24%	23%	24%	24%	24%
Composite (hollow shaft)	49.47	54.47	59.47	64.47	69.47	74.47	79.48	84.48	89.48	94.48	99.48	104.48
% weight reduction	33%	35%	36%	38%	39%	39%	40%	41%	41%	42%	42%	43%

F7 6310 Troughing Roll											
	36" TE	42" TE	48" TE	54" TE	60" TE	72" TE	78" TE	84" TE	90" TE	96" TE	102" TE
Steel	44.5	49.7	54.7	59.8	64.9	75.1	80.2	85.2	90.3	95.4	100.5
Composite (solid shaft)	28.96	32.16	35.36	38.56	41.76	48.16	51.36	54.55	57.75	60.95	64.15
% weight reduction	35%	35%	35%	36%	36%	36%	36%	36%	36%	36%	36%
Composite (hollow shaft)	38.78	40.58	42.38	44.18	45.95	49.58	51.38	53.19	55	56.8	58.6
% weight reduction	N/A	N/A	N/A	N/A	N/A	N/A	N/A	38%	39%	40%	42%

F7 6310 Return Roll											
	36" FL	42" FL	48" FL	54" FL	60" FL	72" FL	78" FL	84" FL	90" FL	96" FL	102" FL
Steel	108.3	122.6	137	151.3	165.7	194.4	208.7	223.1	237.4	251.8	266.2
Composite (solid shaft)	69.05	78.08	87.11	96.15	105.18	123.25	132.28	141.31	150.35	159.38	168.41
% weight reduction	36%	36%	36%	36%	37%	37%	37%	37%	37%	37%	37%
Composite (hollow shaft)	61.34	66.43	71.51	76.6	81.68	91.86	96.94	102.03	107.1	112.2	117.3
% weight reduction	43%	46%	48%	49%	51%	53%	54%	54%	55%	55%	56%

WWW.PPI-GLOBAL.COM | SALES@PPI-GLOBAL.COM

Product shown are for illustrative purposes only and may display optional accessories or components. Please contact your sales representative for more information on product specifications. PPI respectively reserves the right to make changes in engineering, design and specifications; add improvements; or discontinue manufacturing at any time without notice obligation.

PPI and its respective logos are trademarks of Precision, Inc. in the US and or other countries.

PPI 224-03

Copyright ©2026 Precision Pulley & Idler, all rights reserved.

6/26