



**FULL 180° COVERAGE
CONVEYOR COVER**



**75% 135° COVERAGE
CONVEYOR COVER**

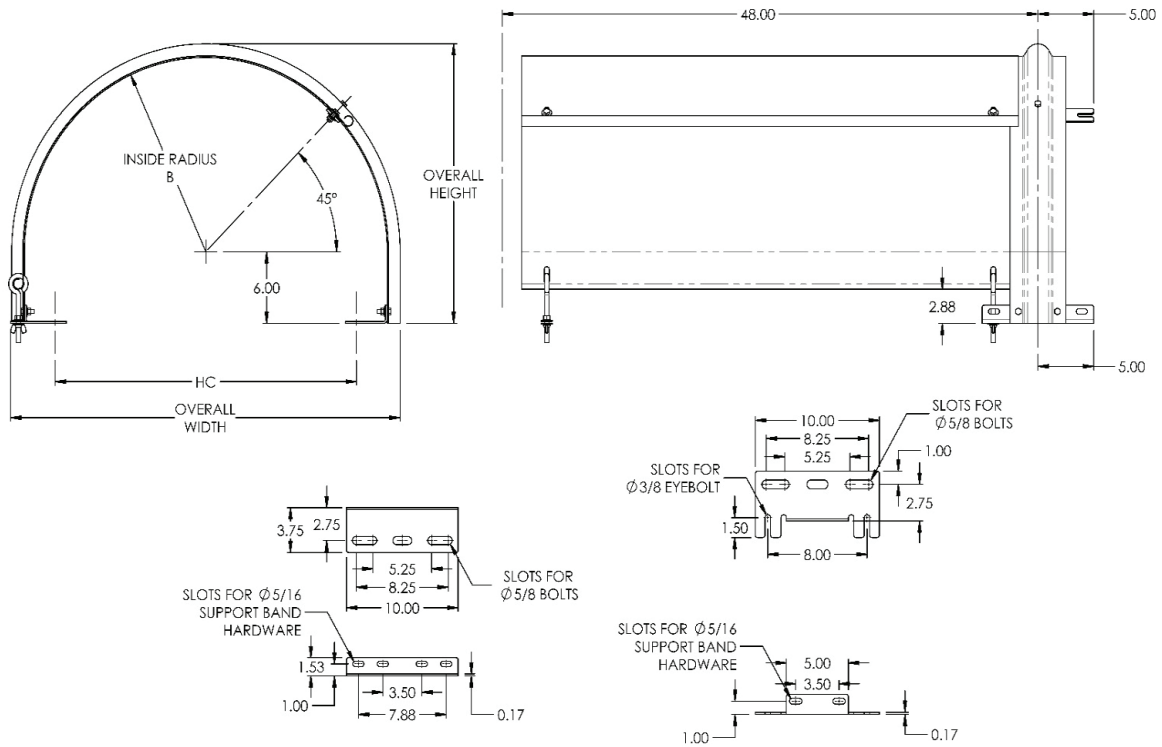
Protecting your belt as well as your bulk materials is important in the conveying industry. PPI offers a solution in both full and three-quarter conveyor covers to protect your application. Standard in galvanized steel, you can count on PPI Conveyor Covers to be strong and hold up to a multitude of environmental challenges.

FEATURES AND BENEFITS

- Available in full and three-quarter styles
- Galvanized for corrosion protection against the elements
- Match idler spacing for maintenance access
- Heavy duty galvanized steel mounting foot brackets
- Heavy gauge galvanized bands for greater rigidity
- Retaining bracket to hold the cover in an open position for maintenances
- Full-100% 180° Conveyor Cover can be opened for access to material and idlers
- Three-Quarter Conveyor Cover opened on one side for easy access to material and idlers
- Protects material and idlers from weather
- Protects the rubber belt from UV and weather
- Prevents the belt from lifting due to wind forces
- Increased operator safety
- Standard 4 foot long sections
- Call PPI for additional options

WHY COVER BELT CONVEYORS?

1. To protect the conveyed material
2. To protect the environment:
 - Against dust
 - Against noise
3. For operators' safety
4. For the protection of the belt against the sun and weather resulting in longer belt life
5. For the protection of the materials:
 - With reduction of maintenance to the structures
 - To avoid loss of materials and productivity due to wind
 - To avoid deposits of rain water on the belt
 - To assure the efficiency of the industrial constructions linked to the belt



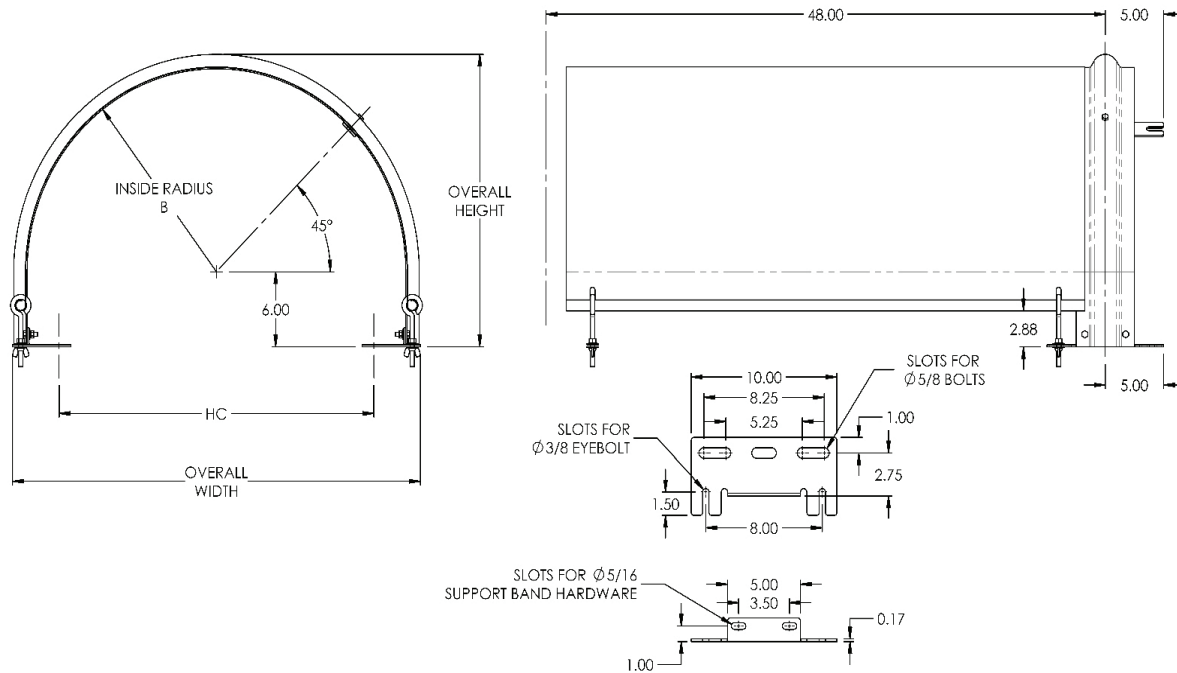
THREE-QUARTER COVER

BELT WIDTH	PART NUMBER	HC	OVERALL WIDTH	B	OVERALL HEIGHT	WEIGHT
18"	CCD3011848	27.00	34.90	16.25	23.40	38
20"	CCD3012048	29.00	36.90	17.25	24.40	39
24"	CCD3012448	33.00	40.90	19.25	26.40	42
30"	CCD3013048	39.00	46.90	22.25	29.40	47
36"	CCD3013648	45.00	52.90	25.25	32.40	52
42"	CCD3014248	51.00	58.90	28.25	35.40	62
48"	CCD3014848	57.00	64.90	31.25	38.40	67
54"	CCD3015448	63.00	70.90	34.25	41.40	72
60"	CCD3016048	69.00	76.90	37.25	44.40	77
66"	CCD3016648	75.00	82.90	40.25	47.40	82
72"	CCD3017248	81.00	88.90	43.25	50.40	88
78"	CCD3017848	87.00	94.90	46.25	53.40	93

Hardware kit included with top-level assembly part number

Hardware included:
 2 - 3/8 - 16 eyebolts
 2 - 3/8 - 16 nuts
 2 - 3/8 - 16 wing nuts
 4 - 3/8 washers
 2 - 3/8 lock washers
 7 - 5/16 - 18 bolts
 7 - 5/16 - 18 nuts
 8 - 5/16 washers
 6 - 5/16 lock washers

- Covers standard CEMA B, C, & D troughing idlers
- Check clearances on self-training idlers and all other idlers not to CEMA Standard 502
- 135° coverage
- Smooth 22 gauge galvanized steel
- Covers for CEMA E idlers are available. Contact your sales representative for more information



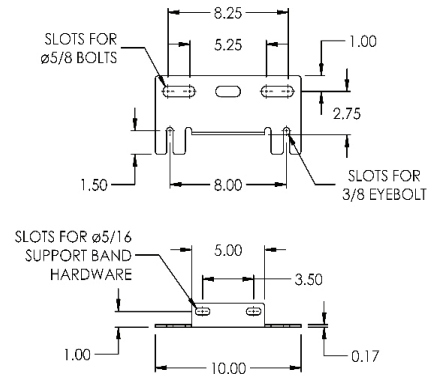
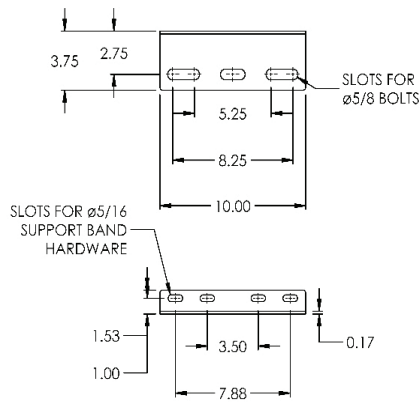
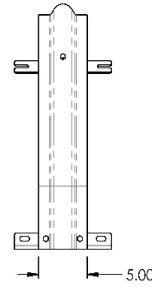
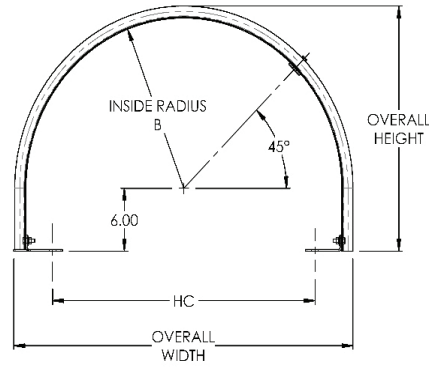
FULL COVER

BELT WIDTH	PART NUMBER	HC	OVERALL WIDTH	B	OVERALL HEIGHT	WEIGHT
18"	CCD1011848	27.00	35.00	16.25	23.40	44
20"	CCD1012048	29.00	37.00	17.25	24.40	46
24"	CCD1012448	33.00	41.00	19.25	26.40	50
30"	CCD1013048	39.00	47.00	22.25	29.40	56
36"	CCD1013648	45.00	53.00	25.25	32.40	61
42"	CCD1014248	51.00	59.00	28.25	35.40	72
48"	CCD1014848	57.00	65.00	31.25	38.40	78
54"	CCD1015448	63.00	71.00	34.25	41.40	85
60"	CCD1016048	69.00	77.00	37.25	44.40	91
66"	CCD1016648	75.00	83.00	40.25	47.40	97
72"	CCD1017248	81.00	89.00	43.25	50.40	103
78"	CCD1017848	87.00	95.00	46.25	53.40	109

Hardware kit included with top-level assembly part number

Hardware included:
 4 - 3/8 - 16 eyebolts
 4 - 3/8 - 16 nuts
 4 - 3/8 - 16 wing nuts
 8 - 3/8 washers
 4 - 3/8 lock washers
 5 - 5/16 - 18 bolts
 5 - 5/16 - 18 nuts
 4 - 5/16 washers
 4 - 5/16 lock washers

- Covers standard CEMA B, C, & D troughing idlers
- Check clearances on self-training idlers and all other idlers not to CEMA Standard 502
- 180° coverage
- Smooth 22 gauge galvanized steel
- Covers for CEMA E idlers are available. Contact your sales representative for more information



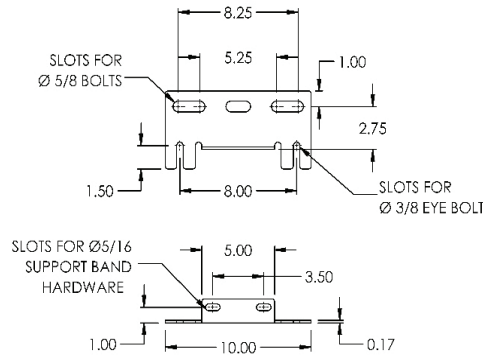
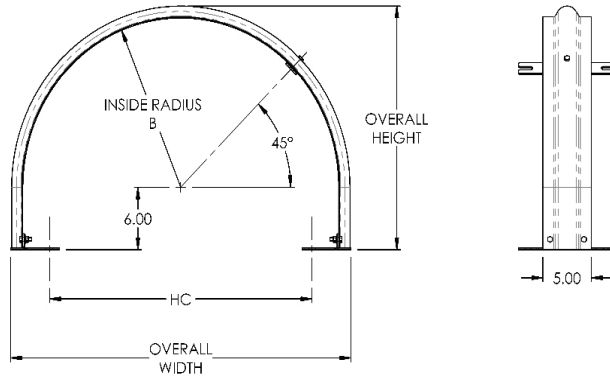
SUPPORT BAND FOR THREE-QUARTER COVER

BELT WIDTH	PART NUMBER	HC	OVERALL WIDTH	B	OVERALL HEIGHT	WEIGHT
18"	CCD3011800B	27.00	34.90	16.25	23.40	17
20"	CCD3012000B	29.00	36.90	17.25	24.40	17
24"	CCD3012400B	33.00	40.90	19.25	26.40	19
30"	CCD3013000B	39.00	46.90	22.25	29.40	20
36"	CCD3013600B	45.00	52.90	25.25	32.40	22
42"	CCD3014200B	51.00	58.90	28.25	35.40	29
48"	CCD3014800B	57.00	64.90	31.25	38.40	31
54"	CCD3015400B	63.00	70.90	34.25	41.40	33
60"	CCD3016000B	69.00	76.90	37.25	44.40	35
66"	CCD3016600B	75.00	82.90	40.25	47.40	37
72"	CCD3017200B	81.00	88.90	43.25	50.40	40
78"	CCD3017800B	87.00	94.90	46.25	53.40	42

Hardware kit included with top-level assembly part number

Hardware included:
 5 - 5/16-18 bolts
 5 - 5/16-18 nuts
 4 - 5/16 washers
 4 - 5/16 lock washers

- Covers standard CEMA B, C, & D troughing idlers
- Check clearances on self-training idlers and all other idlers not to CEMA Standard 502
- Covers for CEMA E idlers are available. Contact your sales representative for more information



SUPPORT BAND FOR FULL COVER

BELT WIDTH	PART NUMBER	HC	OVERALL WIDTH	B	OVERALL HEIGHT	WEIGHT
18"	CCD1011800B	27.00	34.90	16.25	23.40	17
20"	CCD1012000B	29.00	36.90	17.25	24.40	17
24"	CCD1012400B	33.00	40.90	19.25	26.40	18
30"	CCD1013000B	39.00	46.90	22.25	29.40	20
36"	CCD1013600B	45.00	52.90	25.25	32.40	22
42"	CCD1014200B	51.00	58.90	28.25	35.40	29
48"	CCD1014800B	57.00	64.90	31.25	38.40	31
54"	CCD1015400B	63.00	70.90	34.25	41.40	33
60"	CCD1016000B	69.00	76.90	37.25	44.40	35
66"	CCD1016600B	75.00	82.90	40.25	47.40	37
72"	CCD1017200B	81.00	88.90	43.25	50.40	39
78"	CCD1017800B	87.00	94.90	46.25	53.40	42

Hardware kit included with top-level assembly part number

Hardware included:
 5 - 5/16-18 bolts
 5 - 5/16-18 nuts
 4 - 5/16 washers
 4 - 5/16 lock washers

- Covers standard CEMA B, C, & D troughing idlers
- Check clearances on self-training idlers and all other idlers not to CEMA Standard 502
- Covers for CEMA E idlers are available. Contact your sales representative for more information