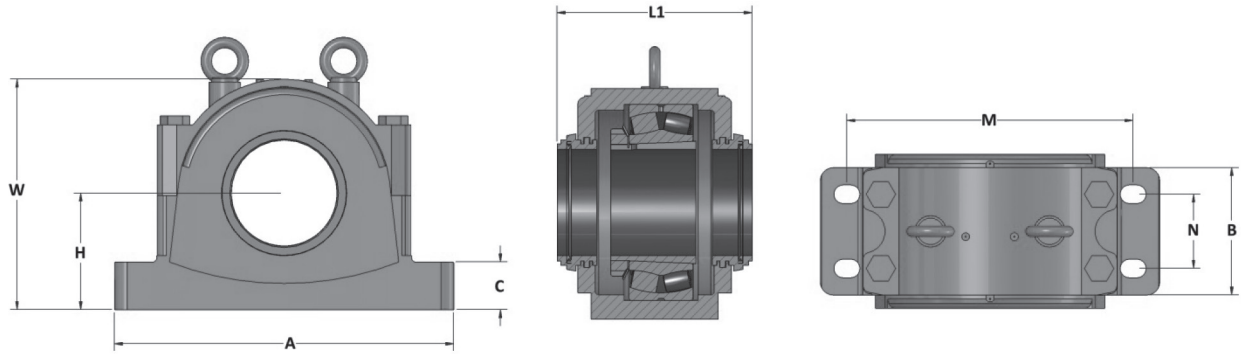


Housing	Shaft Dia	A	B	C	H	L	W	M	N
SD 3134	150	510	180	70	170	230	335	430	100
SD 3136	160	530	190	75	180	240	355	450	110
SD 3138	170	560	210	80	190	260	375	480	120
SD 3140	180	610	230	85	210	280	410	510	130
SD 3144	200	640	240	90	220	290	435	540	140
SD 3148	220	700	260	95	240	310	475	600	150
SD 3152	240	770	280	100	260	320	515	650	160
SD 3156	260	790	280	105	280	320	550	670	160
SD 3160	280	830	310	110	300	350	590	710	190
SD 3164	300	880	330	115	320	370	630	750	200
SD 3168	320	950	360	120	340	400	675	810	220
SD 3172	340	1000	360	120	350	400	695	840	220
SD 3176	360	1040	360	120	360	400	715	870	220
SD 3180	380	1120	390	125	380	430	755	950	240
SD 3184	400	1170	420	130	410	460	810	1000	260
SD 3188	410	1220	430	135	420	460	835	1030	260
SD 3192	430	1280	440	148	440	480	875	1070	260
SD 3196	450	1330	440	155	460	480	920	1110	260

FEATURES AND BENEFITS

- Bearing housings are made from spherical graphite iron (ductile iron – FCD450) which is stronger and more durable than cast iron.
- Housings come complete with housing, fixing rings, seals and end cap to allow for open and closed shaft position and fixed or floating bearing set ups.
- Housings come standard with Labyrinth seals; Taconite seals optional.
- Housings fit all major international brand bearings.
- Bearings and adapter sleeves ordered separately; PPI offers all major brands.



Housing	Shaft Dia	A	B	C	H	L1	W	M	N
SD 3134	150	510	180	70	170	308	335	430	100
SD 3136	160	530	190	75	180	318	355	450	110
SD 3138	170	560	210	80	190	336	375	480	120
SD 3140	180	610	230	85	210	356	410	510	130
SD 3144	200	640	240	90	220	368	435	540	140
SD 3148	220	700	260	95	240	388	475	600	150
SD 3152	240	770	280	100	260	400	515	650	160
SD 3156	260	790	280	105	280	400	550	670	160
SD 3160	280	830	310	110	300	426	590	710	190
SD 3164	300	880	330	115	320	448	630	750	200
SD 3168	320	950	360	120	340	486	675	810	220
SD 3172	340	1000	360	120	350	488	695	840	220
SD 3176	360	1040	360	120	360	488	715	870	220
SD 3180	380	1120	390	125	380	518	755	950	240
SD 3184	400	1170	420	130	410	554	810	1000	260
SD 3188	410	1220	430	135	420	552	835	1030	260
SD 3192	430	1280	440	148	440	578	875	1070	260
SD 3196	450	1330	440	155	460	586	920	1110	260

FEATURES AND BENEFITS

- Bearing housings are made from spherical graphite iron (ductile iron – FCD450) which is stronger and more durable than cast iron.
- Housings come complete with housing, fixing rings, seals and end cap to allow for open and closed shaft position and fixed or floating bearing set ups
- Housings come standard with Labyrinth seals; Taconite seals optional
- Housings fit all major international brand bearings
- Bearings and adapter sleeves ordered separately; PPI offers all major brands



www.ppi-global.com | sales@ppi-global.com

Product shown are for illustrative purposes only and may display optional accessories or components. Please contact your sales representative for more information on product specifications. PPI respectively reserves the right to make changes in engineering, design and specifications; add improvements; or discontinue manufacturing at any time without notice obligation. PPI and its respective logos are trademarks of Precision, Inc. in the US and or other countries.