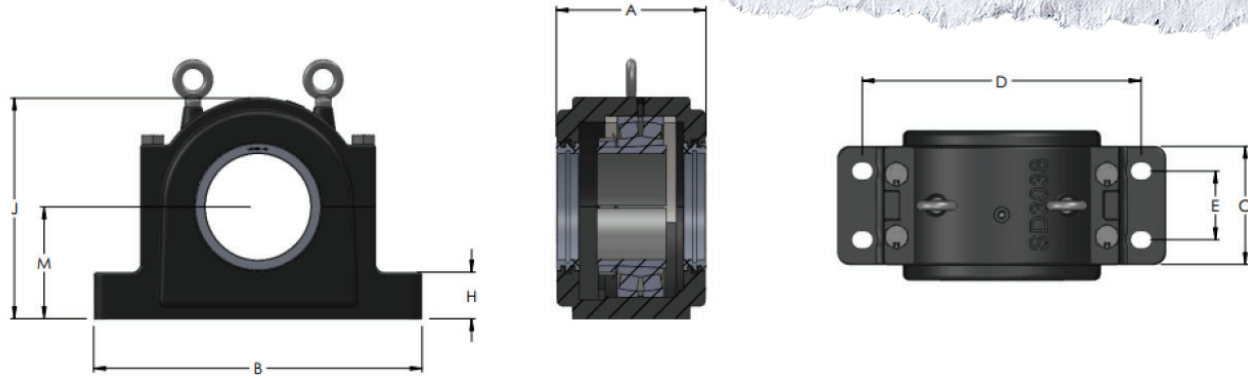


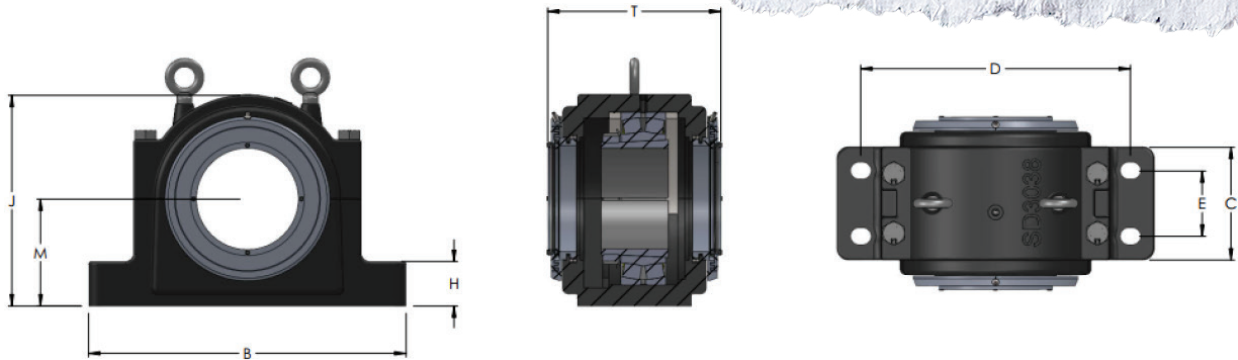
SDD 3100 BEARINGS – LABYRINTH SEAL



Part Number	Housing	Shaft Dia	B	C	H	M	A	J	D	E
610105C	SD 3134	150	510	180	70	170	232	335	430	100
610106C	SD 3136	160	530	190	75	180	242	355	450	110
610107C	SD 3138	170	560	210	80	190	261	375	480	120
610108C	SD 3140	180	610	230	85	210	281	410	510	130
610109C	SD 3144	200	640	240	90	220	291	435	540	140
610110C	SD 3148	220	700	260	95	240	312	475	600	150
610111C	SD 3152	240	770	280	100	260	322	515	650	160
610112C	SD 3156	260	790	280	105	280	322	550	670	160
610113C	SD 3160	280	830	310	110	300	353	590	710	190
610114C	SD 3164	300	880	330	115	320	373	630	750	200
610115C	SD 3168	320	950	360	120	340	402	675	810	220
610116C	SD 3172	340	1000	360	120	350	402	695	840	220
610117C	SD 3176	360	1040	360	120	360	402	715	870	220
610118C	SD 3180	380	1120	390	125	380	433	775	950	240
610119C	SD 3184	400	1170	420	130	410	463	810	1000	260
610120C	SD 3188	410	1220	430	135	420	463	835	1030	260
610121C	SD 3192	430	1280	440	145	440	473	880	1070	260
610122C	SD 3196	450	1330	440	155	460	473	920	1110	260

FEATURES AND BENEFITS

- Bearing housings are made from spherical graphite iron (Grade 65-45-12 ductile iron) which is stronger and more durable than cast iron.
- Housings come complete with housing, fixing rings, seals and end cap to allow for open and closed shaft position and fixed or floating bearing set ups.
- Housings come standard with Labyrinth seals; Taconite seals optional.
- Housings fit all major international brand bearings.
- Bearings and adapter sleeves ordered separately; PPI offers all major brands.



Part Number	Housing	Shaft Dia	B	C	H	M	T	J	D	E
610105C	SD 3134	150	510	180	70	170	279	335	430	100
610106C	SD 3136	160	530	190	75	180	289	355	450	110
610107C	SD 3138	170	560	210	80	190	308	375	480	120
610108C	SD 3140	180	610	230	85	210	329	410	510	130
610109C	SD 3144	200	640	240	90	220	340	435	540	140
610110C	SD 3148	220	700	260	95	240	360	475	600	150
610111C	SD 3152	240	770	280	100	260	370	515	650	160
610112C	SD 3156	260	790	280	105	280	370	550	670	160
610113C	SD 3160	280	830	310	110	300	401	590	710	190
610114C	SD 3164	300	880	330	115	320	421	630	750	200
610115C	SD 3168	320	950	360	120	340	450	675	810	220
610116C	SD 3172	340	1000	360	120	350	450	695	840	220
610117C	SD 3176	360	1040	360	120	360	450	715	870	220
610118C	SD 3180	380	1120	390	125	380	481	775	950	240
610119C	SD 3184	400	1170	420	130	410	511	810	1000	260
610120C	SD 3188	410	1220	430	135	420	513	835	1030	260
610121C	SD 3192	430	1280	440	145	440	523	880	1070	260
610122C	SD 3196	450	1330	440	155	460	523	920	1110	260

FEATURES AND BENEFITS

- Bearing housings are made from spherical graphite iron (Grade 65-45-12 ductile iron) which is stronger and more durable than cast iron.
- Housings come complete with housing, fixing rings, seals and end cap to allow for open and closed shaft position and fixed or floating bearing set ups.
- Housings come standard with Labyrinth seals; Taconite seals optional.
- Housings fit all major international brand bearings.
- Bearings and adapter sleeves ordered separately; PPI offers all major brands.

WWW.PPI-GLOBAL.COM | SALES@PPI-GLOBAL.COM

Product shown are for illustrative purposes only and may display optional accessories or components. Please contact your sales representative for more information on product specifications. PPI respectively reserves the right to make changes in engineering, design and specifications; add improvements; or discontinue manufacturing at any time without notice obligation. PPI and its respective logos are trademarks of Precision, Inc. in the US and or other countries.