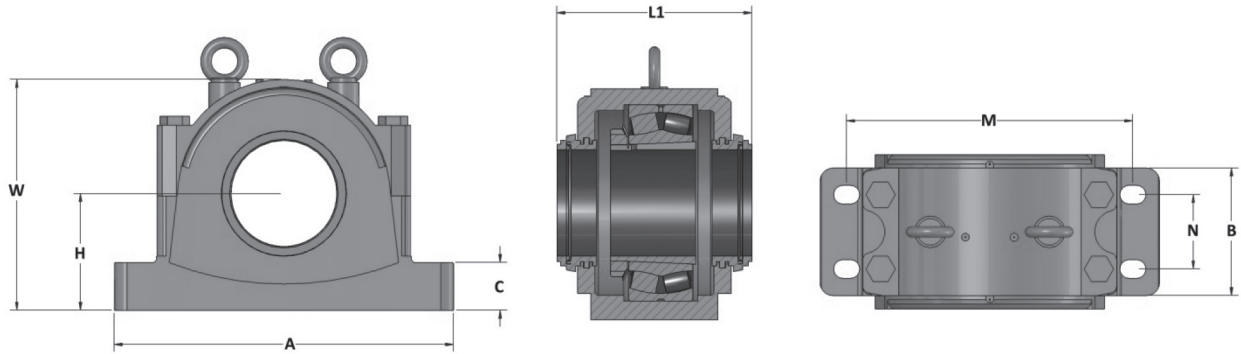


Housing	Shaft Dia	A	B	C	D	E	F	G	H
SD 3234	150	560	210	80	190	260	375	480	120
SD 3236	160	560	210	80	190	260	375	480	120
SD 3238	170	610	230	85	210	280	410	510	130
SD 3240	180	640	240	90	220	290	435	540	140
SD 3244	200	700	260	95	240	310	475	600	150
SD 3248	220	770	280	100	260	320	515	650	160
SD 3252	240	830	310	110	300	350	590	710	190
SD 3256	260	830	310	110	300	350	590	710	190
SD 3260	280	880	330	115	320	370	630	750	200
SD 3264	300	950	360	120	340	400	675	810	220
SD 3268	320	1040	360	120	360	400	715	870	220
SD 3272	340	1120	390	125	380	430	755	950	240
SD 3276	360	1170	420	130	410	460	810	1000	260
SD 3280	380	1170	420	130	410	460	810	1000	260
SD 3284	400	1280	440	148	440	480	875	1070	260
SD 3288	410	1330	440	155	460	480	920	1110	260

FEATURES AND BENEFITS

- Bearing housings are made from spherical graphite iron (ductile iron – FCD450) which is stronger and more durable than cast iron.
- Housings come complete with housing, fixing rings, seals and end cap to allow for open and closed shaft position and fixed or floating bearing set ups.
- Housings come standard with Labyrinth seals; Taconite seals optional.
- Housings fit all major international brand bearings.
- Bearings and adapter sleeves ordered separately; PPI offers all major brands



Housing	Shaft Dia	A	B	C	H	L1	W	M	N
SD 3234	150	560	210	80	190	320	375	480	120
SD 3236	160	560	210	80	190	320	375	480	120
SD 3238	170	610	230	85	210	356	410	510	130
SD 3240	180	640	240	90	220	364	435	540	140
SD 3244	200	700	260	95	240	388	475	600	150
SD 3248	220	770	280	100	260	406	515	650	160
SD 3252	240	830	310	110	300	426	590	710	190
SD 3256	260	830	310	110	300	426	590	710	190
SD 3260	280	880	330	115	320	448	630	750	200
SD 3264	300	950	360	120	340	486	675	810	220
SD 3268	320	1040	360	120	360	486	715	870	220
SD 3272	340	1120	390	125	380	518	755	950	240
SD 3276	360	1170	420	130	410	554	810	1000	260
SD 3280	380	1170	420	130	410	554	810	1000	260
SD 3284	400	1280	440	148	440	574	875	1070	260
SD 3288	410	1330	440	155	460	572	920	1110	260

FEATURES AND BENEFITS

- Bearing housings are made from spherical graphite iron (ductile iron – FCD450) which is stronger and more durable than cast iron.
- Housings come complete with housing, fixing rings, seals and end cap to allow for open and closed shaft position and fixed or floating bearing set ups.
- Housings come standard with Labyrinth seals; Taconite seals optional.
- Housings fit all major international brand bearings.
- Bearings and adapter sleeves ordered separately; PPI offers all major brands.



www.ppi-global.com | sales@ppi-global.com

Product shown are for illustrative purposes only and may display optional accessories or components. Please contact your sales representative for more information on product specifications. PPI respectively reserves the right to make changes in engineering, design and specifications; add improvements; or discontinue manufacturing at any time without notice obligation. PPI and its respective logos are trademarks of Precision, Inc. in the US and or other countries.