

PATENT  
#10392197

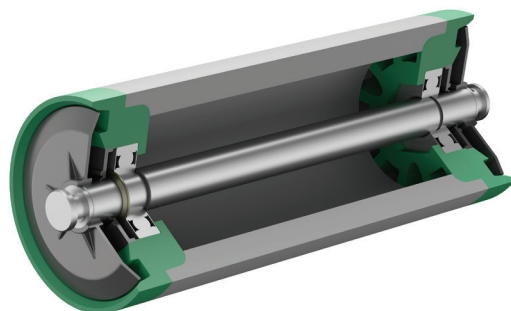
Nylon rolls have found a niche in the market by offering several key benefits: significant weight reduction when compared to steel equivalents, great corrosion resistance, excellent wear, abrasion resistant characteristics, and a reduction in noise levels. Utilizing a spinweld production process combined with nylon tubing enables these rolls to handle heavier loads than other polymer rolls in the market. The PPI patented design allows the bearing to float on one end accommodating different rates of thermal expansion occurring between steel and plastic. PPI has created a one of a kind roll you can count on, **WE KEEP IT MOVING®**.

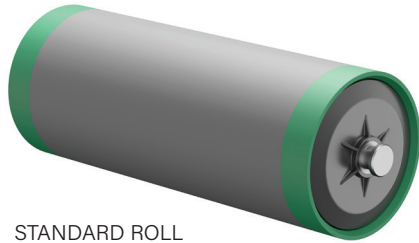
## FEATURES AND BENEFITS

- Utilizes spinweld technology to create the ultimate bond between the bearing housing and the tube
- Spinweld technology provides an impenetrable bond that keeps moisture and dust out of the roll
- Weight reductions of nearly 40% compared to steel roll equivalents
- Field proven seal design promotes long roll life by keeping contaminants out
- Machined surface provides exceptional T.I.R.
- Retro Roll capable
- Patented, #10392197 accounts for the different rate of thermal expansion that occurs between steel and plastic

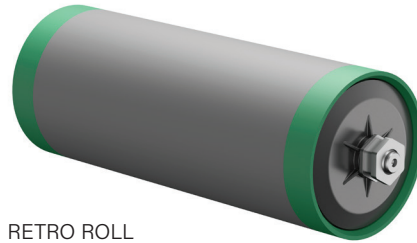
## TECHNICAL SPECIFICATIONS

- Meets CEMA D dimensions
- Available in 5" and 6"
- 5/8" thick tube
- Utilizes sealed for life ball bearing
- Sample part number: D6-35TE-24NY





STANDARD ROLL



RETRO ROLL

**CEMA D 5" DIAMETER NYLON SPINWELD**

BELT WIDTH	TROUGHING ANGLE			2-ROLL	RETURN & FLAT
	20°	35°	45°		
24	1200	1200	1200	850	600
30	1200	1200	1200	850	600
36	1200	1200	1200	850	600
42	1200	1200	1200	850	480*
48	1200	1200	1200	850	325*
54	1200	1116	1080	850	230*
60	1150	1070	1035	850	165*
66	Contact your PPI representative				
72					
Load ratings are based on 500 RPM and 70% of load on the troughing center roll					

**CEMA D 6" DIAMETER NYLON SPINWELD**

BELT WIDTH	TROUGHING ANGLE			2-ROLL	RETURN & FLAT
	20°	35°	45°		
24	1200	1200	1200	850	600
30	1200	1200	1200	850	600
36	1200	1200	1200	850	600
42	1200	1200	1200	850	500
48	1200	1200	1200	850	425
54	1200	1116	1080	850	375
60	1150	1070	1035	850	280
66	Contact your PPI representative				
72					
Load ratings are based on 500 RPM and 70% of load on the troughing center roll					

\*Load Rating is less than CEMA D Load Rating

Load ratings tables are given for reference only, exact loading conditions may vary. For loading requirements exceeding chart recommendations please contact your PPI representative for additional solutions. For more information about polymer roll capabilities, please refer to PPI's polymer roll fact sheet, Plastic vs. Steel, found on our website: [www.ppi-global.com/resources/catalogs](http://www.ppi-global.com/resources/catalogs)



[www.ppi-global.com](http://www.ppi-global.com) | [sales@ppi-global.com](mailto:sales@ppi-global.com)

Product shown are for illustrative purposes only and may display optional accessories or components. Please contact your sales representative for more information on product specifications. PPI respectively reserves the right to make changes in engineering, design and specifications; add improvements; or discontinue manufacturing at any time without notice obligation. PPI and its respective logos are trademarks of Precision, Inc. in the US and/or other countries.