

TYPE E BEARING



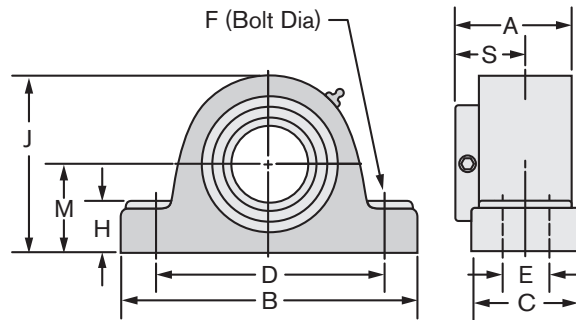
The PPI Type E pillow block bearing was designed specifically for the challenges of multiple conveyor applications. That's why our Type E bearing utilizes a double row spherical bearing that makes a misalignment of ± 2 degrees possible. This allows the bearing to be more forgiving of mounting positions that are less than perfect. Additionally, a double lip nitrile contact seal provides the necessary protection from the heavily contaminated applications, common to the conveyor industry.

FEATURES AND BENEFITS

- Rugged one piece cast iron housing
- Precision spherical bearing with the ability to misalign $\pm 2^\circ$
- Set screw mount for fast simple shaft attachment
- Effective double lip contact seals
- Slotted mounting holes for maximum versatility
- Designed for conveyor applications
- Stocked at service centers for quick delivery



TYPE E BEARING



Part No.	Shaft Diameter	Dimensions												Weight (lb)	Dynamic Load Rating (Lb)
		A	B	C	D		# of Bolts	E	F	H	J	M	S		
					min	MAX									
E2B107	1 7/16	2 7/8	7 3/8	2 1/4	4 3/4	6	2	-	1/2	11/8	3 7/8	1 7/8	1 3/4	9	18,000
E2B115	1 15/16	3 3/16	8 7/8	2 1/2	6	7 5/16	2	-	5/8	13/8	4 5/8	2 1/4	1 15/16	13	29,400
E2B203	2 3/16	3 3/8	9 5/8	2 5/8	6 5/8	8 1/16	2	-	5/8	1 9/16	5	2 1/2	2 1/16	19	33,700
E2B207	2 7/16	3 1/2	10 7/16	2 5/8	7 1/8	8 7/8	2	-	5/8	1 9/16	5 1/2	2 3/4	2 3/16	20	38,000
E2B215	2 15/16	4 1/16	11 13/16	3 3/16	8 1/16	10	2	-	3/4	1 7/8	6 3/8	3 1/8	2 7/16	29	54,900
E2B307	3 7/16	4 7/16	13 3/4	3 9/16	9 5/8	11 1/2	2	-	7/8	2 1/4	7 1/2	3 3/4	2 11/16	46	63,600
4 Bolt Blocks															
E4B207	2 7/16	3 1/2	10 7/16	3 7/16	7 1/8	8 7/8	4	1 7/8	5/8	1 9/16	5 1/2	2 3/4	2 3/16	21	38,000
E4B215	2 15/16	4 1/16	11 3/16	4	7 15/16	9 15/16	4	2 1/8	5/8	1 7/8	6 3/8	3 1/8	2 7/16	33	54,900
E4B307	3 7/16	4 7/16	13 3/4	4 3/4	9 5/16	11 7/16	4	2 3/8	3/4	2 1/4	7 1/2	3 3/4	2 11/16	52	63,600
E4B315	3 15/16	5 1/16	15 1/4	4 1/2	11 7/8	12 15/16	4	2 1/4	3/4	2 5/8	8 7/16	4 1/4	3 1/16	69	95,500
E4B407	4 7/16	6 3/4	16 9/16	4 13/16	12 5/8	13 3/4	4	2 1/2	3/4	2 13/16	9 3/8	4 3/4	3 3/8	90	109,300
E4B415	4 15/16	7 1/4	18 7/16	5 1/4	15	16 1/8	4	2 7/8	7/8	3 1/16	10 15/16	5 1/2	3 5/8	133	148,600

WWW.PPI-GLOBAL.COM | SALES@PPI-GLOBAL.COM

Product shown are for illustrative purposes only and may display optional accessories or components. Please contact your sales representative for more information on product specifications. PPI respectively reserves the right to make changes in engineering, design and specifications; add improvements; or discontinue manufacturing at any time without notice obligation. PPI and its respective logos and trademarks of Precision, Inc. in the US and or other countries. PPI 016-05 Copyright ©2021 Precision Pulley & Idler, all rights reserved.