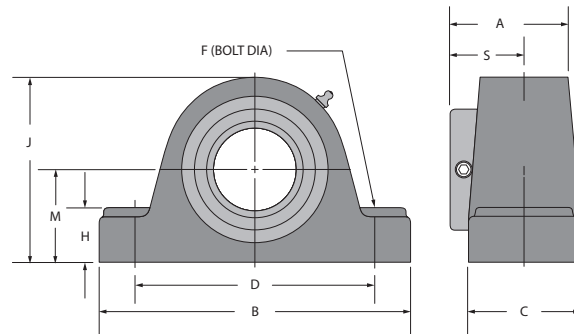


SCM bearings are a popular and economical option for many conveyor applications. Our rugged PPI SCM bearing features a nitrile contact seal that has proven to be effective in the contaminated environments that are common in our industry. Their ease of installation and universal SCM interchange make them a great replacement option.

FEATURES AND BENEFITS

- Rugged one piece cast-iron housing
- Medium duty ball bearing
- Effective contact seals
- Wide inner ring for improved load distribution
- Mounting set screws are located 120° apart for minimum inner ring distortion
- Recessed housing base to accommodate uneven mounting surfaces
- Two bolt base standard
- Ideal for conveyor applications
- Stocked at service centers across the USA for quick delivery



PART NUMBER	SHAFT DIAMETER	DIMENSIONS										WT. (LB)
		A	B	C	D		F	H	J	M	S	
					MIN	MAX						
606200C	1 3/16	1 11/16	6 7/8	2 1/4	4 11/16	5 5/16	1/2	25/32	3 11/16	1 7/8	1	3
606201C	1 7/16	1 15/16	8	2 1/4	5 5/32	6 3/16	1/2	7/8	4 1/8	2 1/8	1 3/16	4
606202C	1 11/16	2 1/32	8 3/4	2 5/8	5 5/8	6 21/32	5/8	1 1/32	4 9/16	2 5/16	1 9/32	6
606203C	1 15/16	2 3/16	9 1/2	2 7/8	6 3/32	7 3/8	5/8	1 1/16	4 15/16	2 1/2	1 5/16	7
606204C	2 3/16	2 9/16	10 1/4	3 1/8	6 13/16	7 11/16	3/4	1 3/16	5 1/2	2 3/4	1 9/16	9
606205C	2 7/16	2 9/16	11 1/4	3 9/32	7 3/8	8 5/8	3/4	1 1/4	5 15/16	3	1 9/16	11
606206C	2 15/16	3 1/4	13	3 1/2	8 1/16	9 31/32	7/8	1 3/8	6 13/16	3 1/2	1 15/16	15
606207C	3 7/16	4 3/32	15	4 3/8	9 27/32	12 7/16	7/8	1 25/32	8 1/16	4	2 13/32	26