

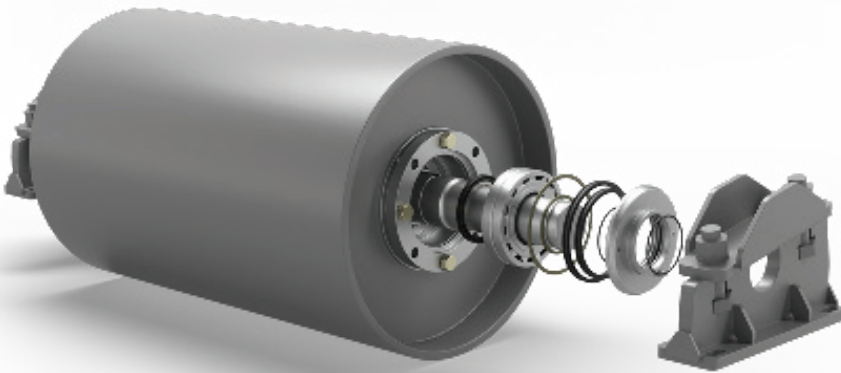
The Static Shaft Pulley (SSP) is a problem solving solution for pulley applications prone to frequent bearing failure. It uses a 22200 series bearing mounted inside the pulley hub to provide exceptional bearing protection. This patented design also uses a taconite sealing system that provides further protection from contaminants entering the bearing.

Mounting the bearing inside the pulley hub also eliminates the shaft bending moment stresses that are the primary cause for pulley fatigue and failure.

FEATURES AND BENEFITS

- Static shaft for increased reliability
- Standard spherical bearing
- Self aligning bearing transfers load to the shaft or pulley
- Reduces bending stress on critical weld joints
- Bearing is protected by dual contact seals
- Stationary grease fittings
- Maintenance friendly hub bolts with back out holes
- Welded steel mounting blocks
- Standard mounting pattern, for drop-in replacement
- Available in various pulley styles for non-drive, non-brake, non-backstop pulley locations

STATIC SHAFT PULLEY™



SSP HUB SIZES

SIZE	BORE
15	2.953
20	3.937
22	4.331
24	4.724
26	5.118
28	5.512
30	5.906
32	6.299
34	6.693
36	7.087
38	7.48
44	8.661
48	9.449
52	10.236
56	11.024
60	11.811

WWW.PPI-GLOBAL.COM | SALES@PPI-GLOBAL.COM

Product shown are for illustrative purposes only and may display optional accessories or components. Please contact your sales representative for more information on product specifications. PPI respectively reserves the right to make changes in engineering, design and specifications; add improvements; or discontinue manufacturing at any time without notice obligation.

Static Shaft Pulley, PPI and its respective logos are trademarks of Precision, Inc. in the US and or other countries.

PPI 014-05

Copyright ©2021 Precision Pulley & Idler, all rights reserved.

06/21