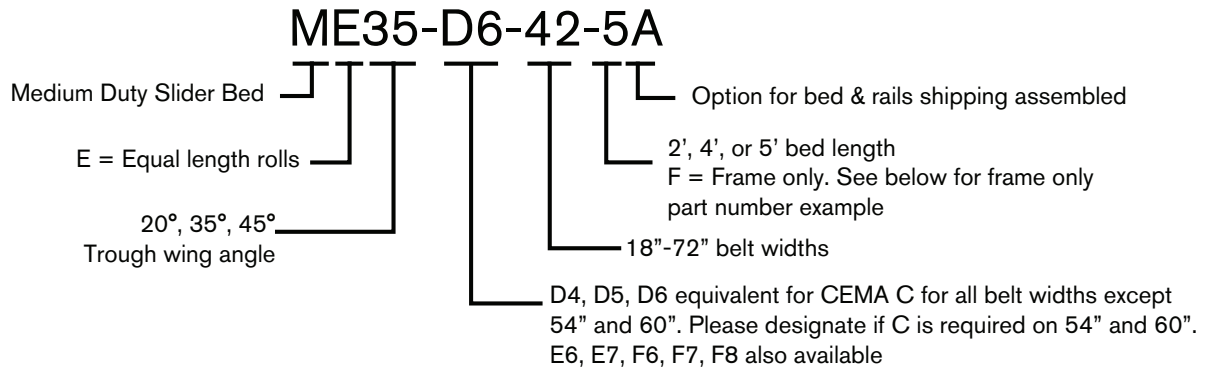


PPI is proud to offer the medium duty slider bed; a cost effective solution for your impact and loading zone requirements. This slider bed is an ideal combination of impact absorption and belt support that promotes a tight seal against your skirting system. A modular design, available in 2', 4' and 5' lengths with foldable wings allow the user to configure to their unique needs.

FEATURES AND BENEFITS

- Simple, cost effective way to provide continuous support of your conveyor belt against the skirting material
- Ultra-high-molecular-weight (UHMW) slider rails for skirt board sealing
- No moving parts
- Seals skirt boards in loading zone to reduce spillage
- Supports conveyor belt in loading zone
- C-Channel frames for increased strength
- Fold-down wings for ease of maintenance
- Modular design allows multiple units to be fitted end-to-end to form the length needed
- Match center-roll height of CEMA C and D idlers
- Available in belt widths from 18" through 72"

MEDIUM DUTY SLIDER BED PART NUMBERING



SLIDER RAIL & HARDWARE REPLACEMENT PARTS

ITEM	PART NUMBERS
2' RAIL	SRAIL 2
4' RAIL	SRAIL 4
5' RAIL	SRAIL5
T-BOLT*	44253
1/2" CONICAL SELF LOCKING HEX NUT	513200
1/2" FLAT WASHER	511190
HARDWARE SHIM*	504113

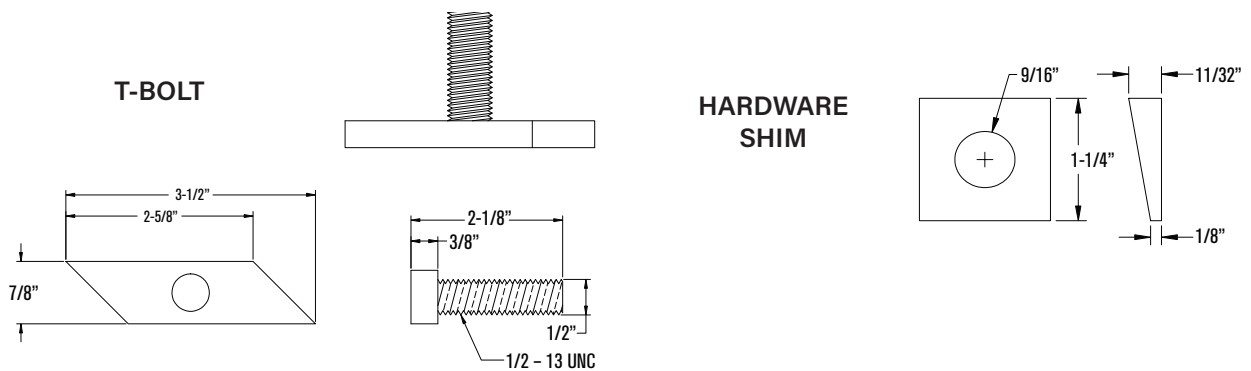
FRAME ONLY

Example: ME35-D6-42F
Please note: No rails included.
Frames will come with hardware in separate box.

WING SUPPORT HARDWARE

5/8" x 2" long bolt: P/N 500390
5/8" conical self-locking hex nut: P/N 513201

*Diagrams shown below



www.ppi-global.com | sales@ppi-global.com

Product shown are for illustrative purposes only and may display optional accessories or components. Please contact your sales representative for more information on product specifications. PPI respectively reserves the right to make changes in engineering, design and specifications; add improvements; or discontinue manufacturing at any time without notice obligation. PPI and its respective logos are trademarks of Precision, Inc. in the US and or other countries.