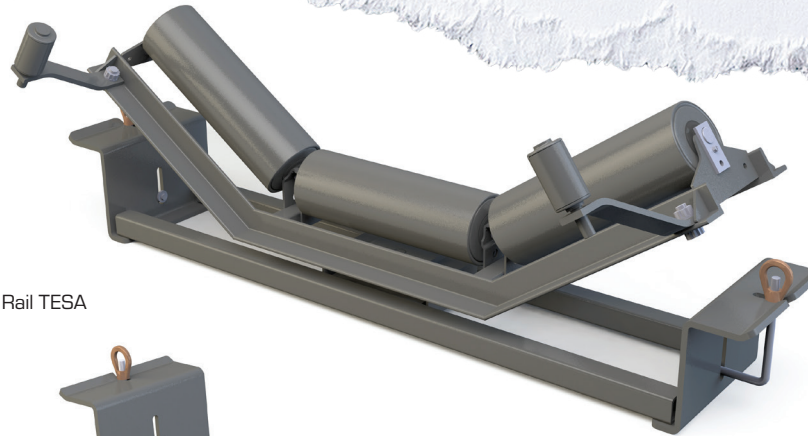
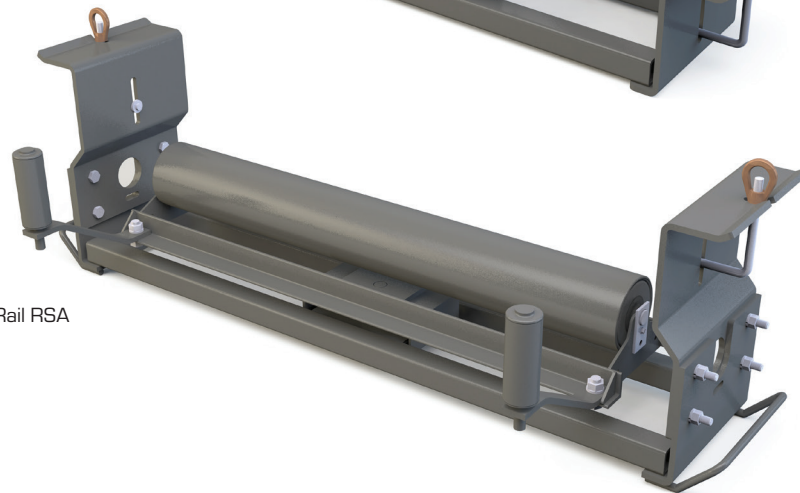


RIGID RAIL SELF-ALIGNING IDLERS



Rigid Rail TESA



Rigid Rail RSA

PPI's Rigid Rail Self-Aligning Idlers incorporate the same belt training characteristics as standard guide arm self aligners but integrate the mounting convenience of J-bolt hardware. Utilizing the J-bolt style mounting configuration allows the user to easily mount these training idlers to their existing rigid rail idler structure.

FEATURES AND BENEFITS

- Available in troughing and return roll configurations
- Built to same rigid specifications as standard idlers
- Mounting brackets designed to mount on standard structure rail systems
- Designed to match existing idler roll heights
- Carry handles incorporated on the return rolls for ease of installation
- Return drop brackets equipped with alignment slot to aid installation
- Available in CEMA C, D and E
- Roll diameters of 4", 5", 6" and 7" available
- Belt widths of 24" - 84"

WWW.PPI-GLOBAL.COM | SALES@PPI-GLOBAL.COM

Product shown are for illustrative purposes only and may display optional accessories or components. Please contact your sales representative for more information on product specifications. PPI respectively reserves the right to make changes in engineering, design and specifications; add improvements; or discontinue manufacturing at any time without notice obligation. PPI and its respective logos are trademarks of Precision, Inc. in the US and or other countries.