

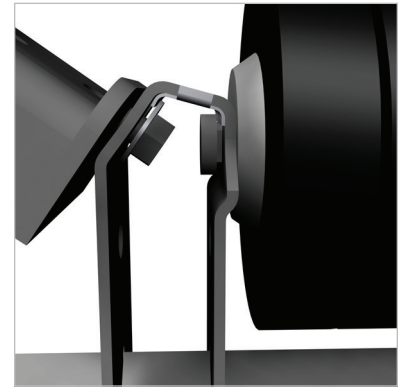
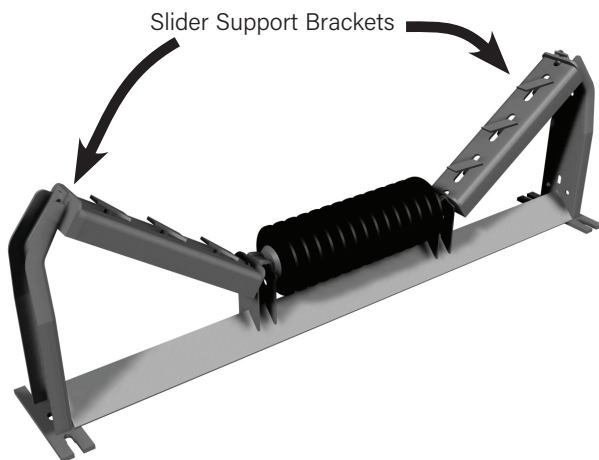


EZ SLIDER SYSTEM

The EZ Slider System, when used with a rubber disc center roll, is designed to handle low impacts of the loading zone and provide ease of maintenance. The frames should be installed per the Idler Operation and Maintenance manual (OM 002) with a suggested spacing of one foot in the impact zone and two feet when used beyond the impact zone for sealing of the skirtboards.

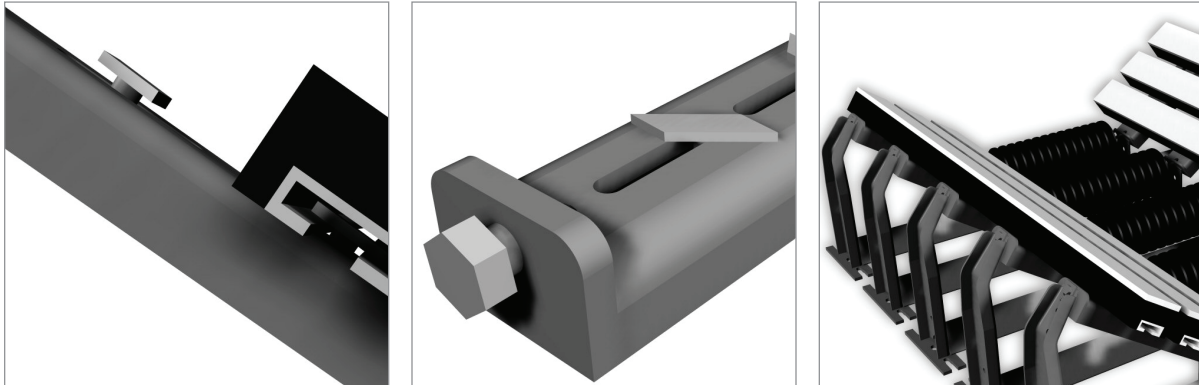
INSTALLING SLIDER SUPPORTS

1. The slider support brackets should be installed in the wing positions as shown below. If you are installing the EZ Slider as a retrofit application, you will need to remove the wing rolls. Be sure to save all clips.
2. Then install, or reinstall, the end clips before installing the slider bar supports.
3. Once the end clip is installed, slide the mounting bolt and flat washer into the end clip as shown below. Then thread through the end bracket and into one end of the slider support bracket. Snug the bolt so that it holds the bracket in position, but do not tighten at this point.
4. Thread a second bolt and washer into the end at the center bracket. Leave it loose in the frame, as shown on the bottom right side of this page.
5. Slide the center clip in so the clip runs over the top of the bolt and washer and over the top of the center roll shaft.
6. Tighten all bolts, be sure that the slider support brackets are level to the belt.
7. Repeat for the other wing.
8. Check that all bolts are tight and slider support brackets are level.



INSTALLING SLIDER RAILS

1. To install the rail, line up the T-bolts and fit the rail over the bolts. Then push the T-bolts up into the rail and tighten. This will turn the T-bolt $\frac{1}{4}$ turn and then the T-bolt will hit the rail and the nut will begin to tighten. Tighten all Slider Rail T-bolts.
2. Some slider rails will have an angled surface at one edge. This angled surface is normally facing into the belt direction.
3. There is some adjustment of the slider rails along the length of the slider rail bracket. (See picture below) This adjustment will allow you to adjust the position of the slider rail so that one of the rails is under the skirtboard seal. The other rails should be spaced evenly for better support of the belt.
4. Alignment of the frames should follow the procedures as outlined in the Idler Operation and Maintenance manual (OM 002).



REPLACING SLIDER RAILS.

1. If the slider rails need to be replaced, loosen the T-bolts. Once the T-bolts have been loosened, it will turn $\frac{1}{4}$ of a turn, which is all it takes to release the rail. At this point you can lift the rail off of the support.
2. To reinstall the rail, line up the T-bolts and fit the rail over the T-bolts. Then push the T-bolts up into the rail and tighten. This will turn the T-bolt $\frac{1}{4}$ turn and then the T-bolt will hit the rail and the nut will begin to tighten. Tighten all Slider Rail T-bolts.
3. Some slider rails will have an angled surface at one edge. This angled surface is normally facing into the belt direction.

BELT WIDTH	# RAILS PER BRACKET
18	1
24	2
30	2
36	2
42	3
48	3
54	3
60	4
72	5
84	6
96	7



CORPORATE OFFICE • P.O. Box 287 • Pella, IA 50219
800.247.1228 • 641.628.3115 • 641.628.3658 FAX