

RIGHT ANGLE SHAFT MOUNTED DRIVE ASSEMBLY DATA SHEET (2 MOTOR)

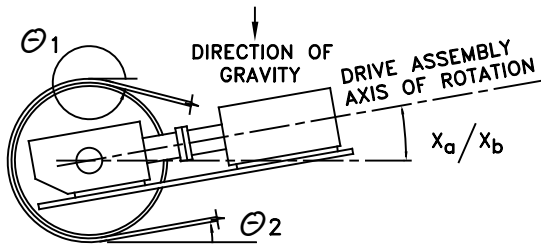
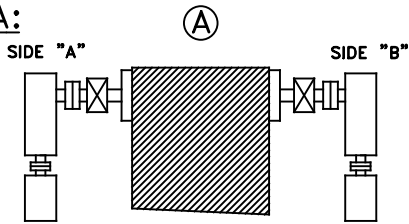
FORM: OHL_RGHTANG2
PAGE 1
REV. 4, EC018-913
12/26/18

NOTES:

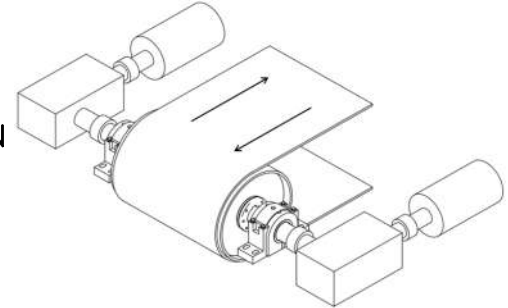
- 1) DATA NOT NEEDED IF USING FLEXIBLE LOW SPEED COUPLINGS.
- 2) RIGID COUPLING MAY NOT BE PRESENT.
- 3) IF MORE THEN 1 DRIVE PULLEY EXISTS ON THE CONVEYOR, PROVIDE SEPARATE SHEET FOR EACH PULLEY.
- 4) IS THIS A TRIPPER CONVEYOR? (Y / N)
- 5) FILL OUT EITHER TYPE A, TYPE B, OR TYPE C SECTION DEPENDING ON ORIENTATION

T1: _____
T2: _____
MOTOR HP: _____
BELT SPEED: _____

TYPE A:

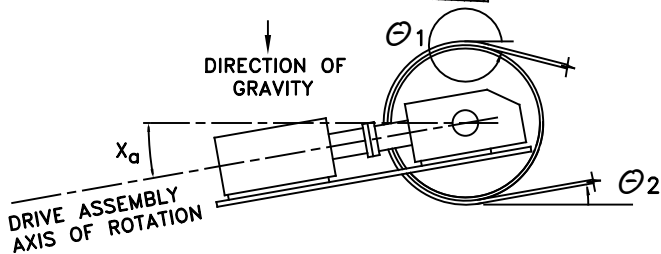
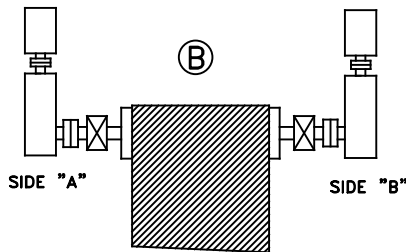


CIRCLE BELT DIRECTION

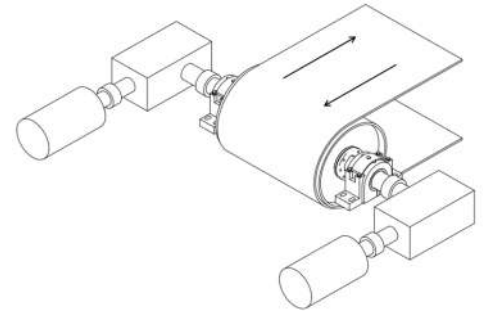


BELT ANGLE COMING OFF PULLEY IN CW DIRECTION (θ_1): _____
 BELT ANGLE COMING OFF PULLEY IN CCW DIRECTION(θ_2): _____
 DRIVE ASSEMBLY ANGLE (X_a): _____
 DRIVE ASSEMBLY ANGLE (X_b): _____

TYPE B:

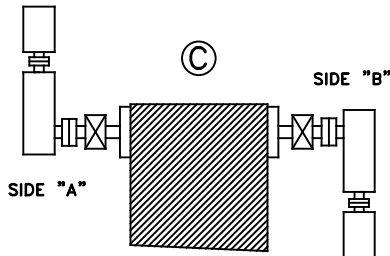


CIRCLE BELT DIRECTION

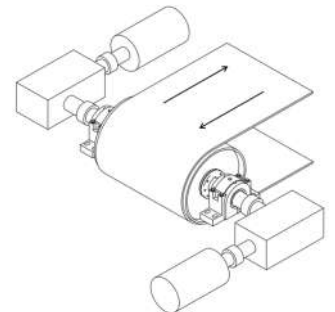


BELT ANGLE COMING OFF PULLEY IN CW DIRECTION (θ_1): _____
 BELT ANGLE COMING OFF PULLEY IN CCW DIRECTION(θ_2): _____
 DRIVE ASSEMBLY ANGLE (X_a): _____
 DRIVE ASSEMBLY ANGLE (X_b): _____

TYPE C:



CIRCLE BELT DIRECTION



BELT ANGLE COMING OFF PULLEY IN CW DIRECTION (θ_1): _____
 BELT ANGLE COMING OFF PULLEY IN CCW DIRECTION(θ_2): _____
 DRIVE ASSEMBLY ANGLE (X_a): _____
 DRIVE ASSEMBLY ANGLE (X_b): _____



RIGHT ANGLE SHAFT MOUNTED DRIVE ASSEMBLY DATA SHEET (2 MOTOR)

FORM: OHL_RGHTANG2
PAGE 2
REV. 4, EC018-913
12/26/18

DRIVE ASSEMBLY DATA

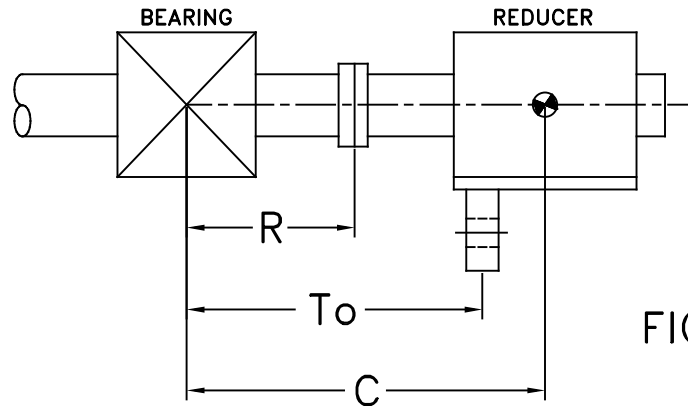


FIG. 1

FIG. 1

REDUCER/BEARING CENTER DISTANCE (C):	_____
TORQUE ARM/BEARING CENTER DISTANCE (To):	_____
RIGID COUPLING/BEARING CENTER DISTANCE (R):	_____
RIGID COUPLING WEIGHT:	_____

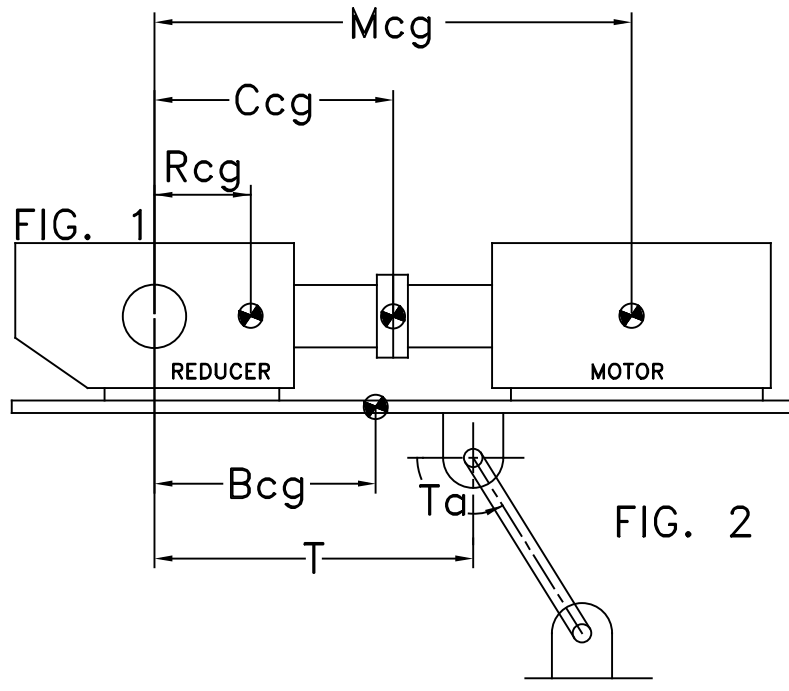


FIG. 2

FIG. 2

TORQUE ARM DISTANCE (T):	_____
TORQUE ARM ANGLE (T_a):	_____
REDUCER CENTER OF GRAVITY (R_{cg}):	_____
REDUCER WEIGHT INCLUDING OIL:	_____
HIGH SPEED COUPLING CENTER OF GRAVITY (C_{cg}):	_____
HIGH SPEED COUPLING WEIGHT:	_____
MOTOR CENTER OF GRAVITY (M_{cg}):	_____
MOTOR WEIGHT:	_____
BASE CENTER OF GRAVITY (B_{cg}):	_____
BASE WEIGHT:	_____



* PPI WILL NOT BE RESPONSIBLE FOR ISSUES RELATED TO OVERHUNG LOADS.