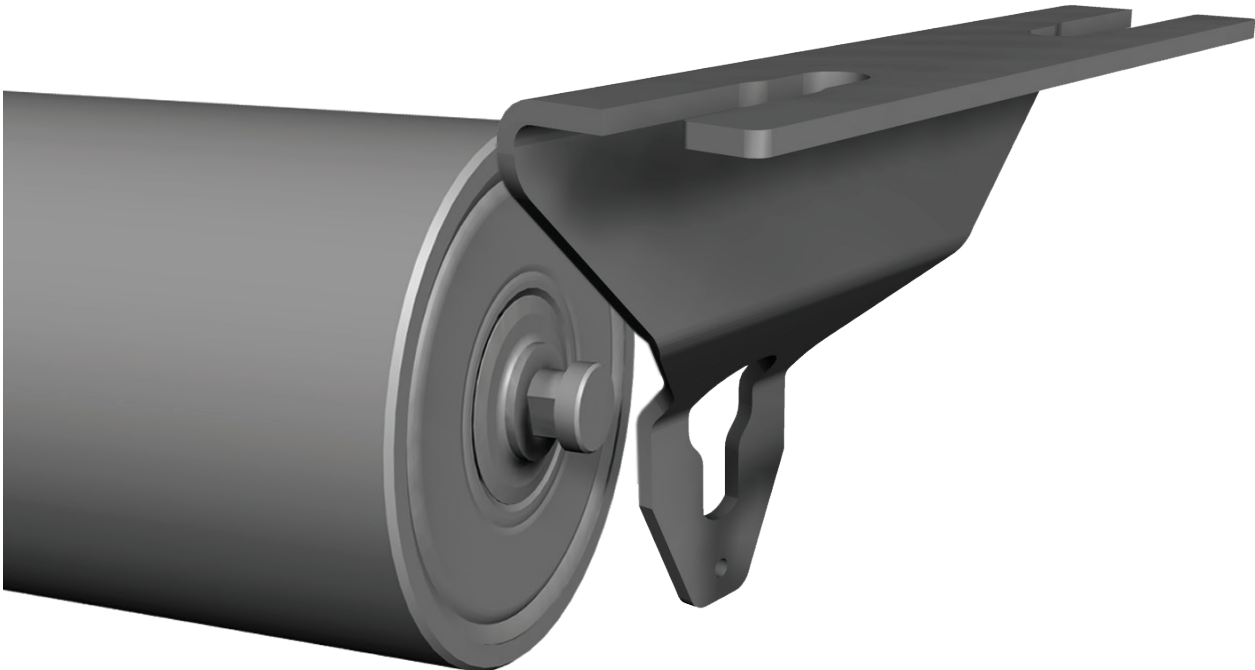
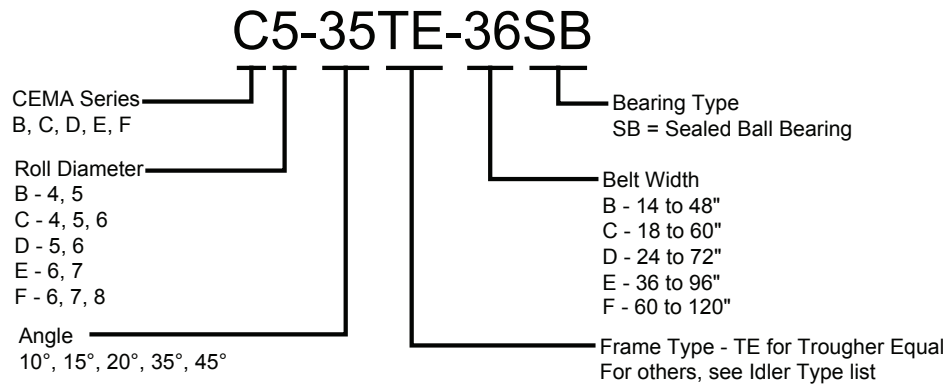


IDLER REPLACEMENT PARTS

BELT CONVEYOR IDLERS



Idler Part Numbering System	4
Idler Assembly Roll Part Numbering System	5
CEMA B	
TE, TEI, TESA, F, FSA, FRD, R, RRD, RSA	6
TU, CIT, CIF, CIR, CIFRD, CIRRD	7
TUI, CITI	8
Clips, Brackets (standard & non-standard)	9
CEMA C	
TE, TEI, TESA, TET, F, FSA, FRD, R, RRD, RSA, VR, VRI	10
TU, CIT, CIF, CIR, CIFRD, CIRRD	11
TUI, CITI, IVR, IVRI	12
Clips, Brackets (standard & non-standard)	13
CEMA D	
TE, TEI, TESA, TET, F, FSA, FRD, R, RRD, RSA, VR, VRI, IVR, IVRI	14
TU, TUI	15
Clips, Brackets (standard & non-standard)	16
CEMA E	
TE, TEI, TESA, F, FSA, FRD, R, RRD, RSA, VR, VRI, IVR, IVRI	17
TET, TU, TUI	18
Clips, Brackets (standard & non-standard)	19
CEMA E PLUS	
TE, TEI, TESA, F, FSA, FRD, R, RRD, RSA, VR, VRI, IVR, IVRI	20
TET, TU, TUI	21
Clips, Brackets (standard & non-standard)	22
IMPACT SYSTEM	
TIS-D, TIS-E, Springs, Bolts, Kits	23
SPECIALTY IDLER ROLLS	
¼" Roll Thickness & Poly Sleeve	24
Beater Bar & Rubber Grooved Return Idler Rolls	25
GRAIN IDLER ROLLS (OFFSET)	
TG & TGI Rolls	26
WIRE ROPE & CATENARY	
TEWRO & WRR	27
GUIDE ROLLS & SELF ALIGNER PARTS	
GRR, GRT, GRF	27

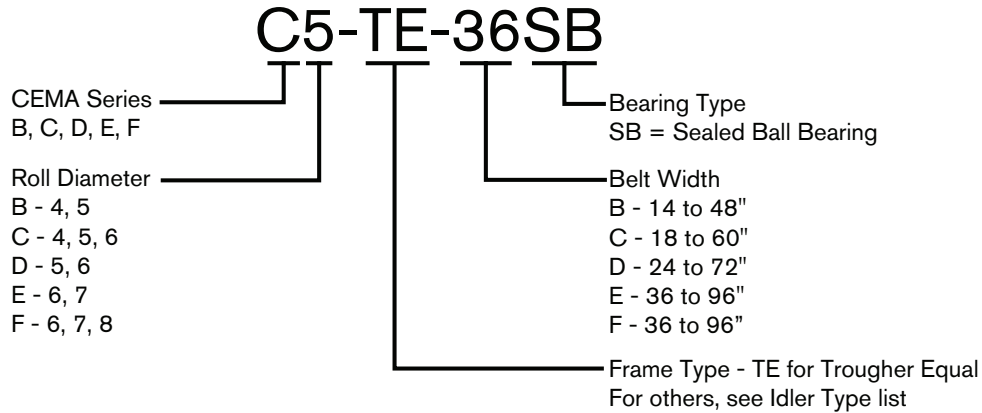


Angle does not apply to flat or standard return idlers. Certain limitations apply, such as 10 for VR, 15 for IVR, and 20, 35 & 45 for TE.

IDLER TYPE LIST

TE	Trougher Equal
TEI	Trougher Equal Impact
TESA	Trougher Equal Self Aligner
TU	Trougher Unequal
TUI	Trougher Unequal Impact
CIT	Channel Inset Trougher
CITI	Channel Inset Trougher Impact
F	Flat
FRD	Flat Rubber Disc
FSA	Flat Self-Aligner
CIF	Channel Inset Flat
CIFRD	Channel Inset Flat Rubber Disc
R	Return
RRD	Return Rubber Disc
RSA	Return Self Aligner
RRDSA	Return Rubber Disc Self Aligner
CIR	Channel Inset Return

CIRRD	Channel Inset Return Rubber Disc
VR	V-Return
VRI	V-Return Impact
IVR	Inverted V-Return
IVRI	Inverted V-Return Impact
LSI	Live Shaft Impact
LSRRD	Live Shaft Return Rubber Disc
LSR	Live Shaft Return (Steel)
TIS	Trougher Impact System
TISZ	Trougher Impact System - 2 Foot
EZI	EZSlider with Impact Rolls
TET	Trougher Equal Transition
GRT	Guide Roll Trougher
GRF	Guide Roll Flat
GRR	Guide Roll Return
SADxCSR	Smart Roll Clean Side Return



A difference between idler assembly part numbers and roll part numbers is it does not include the roll angle.

A B4-TE-24SB will fit a B4-35TE-24SB frame as well as B4-20TE-24SB or B4-45TE-24SB frame.

For frames without the angle, e.g. a return, the idler roll uses a different type designation. A return assembly will have the part number B4-R-24SB while the roll (without the brackets) will have a designation of B4-FL-24SB.

SA (Self-Aligners), use the same roll as those that do not self align.

Idler rolls that are designated as roll only by absence of angle, which is in the assembly number.

TE	Trougher Equal Roll
TEI	Trougher Equal Impact Roll
TU	Trougher Unequal Roll
TUI	Trougher Unequal Impact Roll
TIS	Trougher Impact System
TG	Trougher Grain
TGI	Trougher Grain Impact
CIT	Channel Inset Trougher Roll
CITI	Channel Inset Trougher Impact Roll
IVRI	Inverted V-Return Rubber Disc Roll
VRI	V-Return Rubber Disc Roll
VR	V-Return Roll
TEWRO	Trougher Equal Wire Rope Roll

Idler rolls that have a unique type identifier, as there is no angle in the assembly number.

V	V-Return Roll
CITW	Channel Inset Trougher Wing Roll
CITIS	Channel Inset Special Rubber Disc Roll
CITIW	Channel Inset Rubber Disc Wing Roll
CITS	Channel Inset Special Steel Roll

In addition to unique type identifier, the following will include two endclips and two screws.

FL	Flat, or Return Roll
FLI	Flat Rubber Disc Roll
RI	Return Rubber Disc Roll Roll
CIFL	Channel Inset Flat (or return) Roll
CIFLI	Channel Inset Flat Rubber Disc Roll
CIRI	Channel Inset Return Rubber Disc Roll
FLBR	Return Beater Roll
RLG	Return Rubber Grooved Roll

STEEL IDLER ROLLS

EQUAL TROUGHER - TE & TESA

Belt Width	4" Roll Dia		5" Roll Dia	
	Part Number	WT	Part Number	WT
14	B4-TE-14SB	4	B5-TE-14SB	5
16*	B4-TE-18SB*	5	B5-TE-18SB*	6
18	B4-TE-18SB	5	B5-TE-18SB	6
20	B4-TE-20SB	5	B5-TE-20SB	7
24	B4-TE-24SB	6	B5-TE-24SB	7
30	B4-TE-30SB	7	B5-TE-30SB	9
36	B4-TE-36SB	8	B5-TE-36SB	10
42	B4-TE-42SB	9	B5-TE-42SB	12
48	B4-TE-48SB	10	B5-TE-48SB	13

FLAT CARRIER - F & FSA

Belt Width	4" Roll Dia		5" Roll Dia	
	Part Number	WT	Part Number	WT
14	B4-FL-14SB	10	B5-FL-14SB	13
16	B4-FL-16SB	11	B5-FL-16SB	14
18	B4-FL-18SB	12	B5-FL-18SB	15
20	B4-FL-20SB	13	B5-FL-20SB	17
24	B4-FL-24SB	15	B5-FL-24SB	19
30	B4-FL-30SB	18	B5-FL-30SB	23
36	B4-FL-36SB	21	B5-FL-36SB	26
42	B4-FL-42SB	24	B5-FL-42SB	30
48	B4-FL-48SB	27	B5-FL-48SB	34

RETURN - R & RSA

Belt Width	4" Roll Dia		5" Roll Dia	
	Part Number	WT	Part Number	WT
14	B4-FL-14SB	10	B5-FL-14SB	13
16	B4-FL-16SB	11	B5-FL-16SB	14
18	B4-FL-18SB	12	B5-FL-18SB	15
20	B4-FL-20SB	13	B5-FL-20SB	17
24	B4-FL-24SB	15	B5-FL-24SB	19
30	B4-FL-30SB	18	B5-FL-30SB	23
36	B4-FL-36SB	21	B5-FL-36SB	26
42	B4-FL-42SB	24	B5-FL-42SB	30
48	B4-FL-48SB	27	B5-FL-48SB	34

RUBBER DISC IDLER ROLLS

EQUAL TROUGHER IMPACT - TEI

Belt Width	4" Roll Dia		5" Roll Dia	
	Part Number	WT	Part Number	WT
14	B4-TEI-14SB	4	B5-TEI-14SB	6
16*	B4-TEI-18SB*	5	B5-TEI-18SB*	7
18	B4-TEI-18SB	5	B5-TEI-18SB	7
20	B4-TEI-20SB	6	B5-TEI-20SB	8
24	B4-TEI-24SB	7	B5-TEI-24SB	9
30	B4-TEI-30SB	9	B5-TEI-30SB	11
36	B4-TEI-36SB	10	B5-TEI-36SB	13
42	B4-TEI-42SB	12	B5-TEI-42SB	15
48	B4-TEI-48SB	13	B5-TEI-48SB	18

FLAT CARRIER - FRD

Belt Width	4" Roll Dia		5" Roll Dia	
	Part Number	WT	Part Number	WT
14	B4-FLI-14SB	12	B5-FLI-14SB	16
16	B4-FLI-16SB	14	B5-FLI-16SB	18
18	B4-FLI-18SB	15	B5-FLI-18SB	19
20	B4-FLI-20SB	16	B5-FLI-20SB	21
24	B4-FLI-24SB	19	B5-FLI-24SB	25
30	B4-FLI-30SB	23	B5-FLI-30SB	30
36	B4-FLI-36SB	27	B5-FLI-36SB	35
42	B4-FLI-42SB	31	B5-FLI-42SB	40
48	B4-FLI-48SB	35	B5-FLI-48SB	46

RETURN - RRD & RRDSA

Belt Width	4" Roll Dia		5" Roll Dia	
	Part Number	WT	Part Number	WT
14	B4-RI-14SB	13	B5-RI-14SB	16
16	B4-RI-16SB	14	B5-RI-16SB	17
18	B4-RI-18SB	15	B5-RI-18SB	18
20	B4-RI-20SB	16	B5-RI-20SB	19
24	B4-RI-24SB	18	B5-RI-24SB	22
30	B4-RI-30SB	22	B5-RI-30SB	25
36	B4-RI-36SB	25	B5-RI-36SB	29
42	B4-RI-42SB	28	B5-RI-42SB	32
48	B4-RI-48SB	31	B5-RI-48SB	36

*The 16" belt width trougher uses different length center roll and wing rolls.

B4-TE-18SB center roll, B4-TE-14SB wing rolls.

B5-TE-18SB center roll, B5-TE-14SB wing rolls.

STEEL IDLER ROLLS

20° UNEQUAL TROUGHER - TU

Belt Width	4" Roll Dia				5" Roll Dia			
	CENTER ROLL #	WT	WING ROLL #	WT	CENTER ROLL #	WT	WING ROLL #	WT
24	B4-TE-42SB	9	B4-TE-14SB	4	B5-TE-42SB	12	B5-TE-14SB	5
30	B4-FL-18SB	12	B4-TE-14SB	4	B5-FL-18SB	15	B5-TE-14SB	5
36	B4-FL-24SB	15	B4-TE-14SB	4	B5-FL-24SB	19	B5-TE-14SB	5
42	B4-FL-30SB	18	B4-TE-14SB	4	B5-FL-30SB	23	B5-TE-14SB	5
48	B4-FL-36SB	21	B4-TE-14SB	4	B5-FL-36SB	26	B5-TE-14SB	5

35° UNEQUAL TROUGHER - TU

Belt Width	4" Roll Dia				5" Roll Dia			
	CENTER ROLL #	WT	WING ROLL #	WT	CENTER ROLL #	WT	WING ROLL #	WT
24	B4-TE-36SB	8	B4-TE-18SB	5	B5-TE-36SB	10	B5-TE-18SB	5
30	B4-TE-42SB	9	B4-TE-24SB	6	B5-TE-42SB	12	B5-TE-24SB	7
36	B4-FL-18SB	12	B4-TE-24SB	6	B5-FL-18SB	15	B5-TE-24SB	7
42	B4-FL-18SB	12	B4-TE-30SB	7	B5-FL-18SB	15	B5-TE-30SB	9
48	B4-FL-24SB	15	B4-TE-30SB	7	B5-FL-24SB	19	B5-TE-30SB	9

CHANNEL INSET TROUGHER - CIT

Belt Width	4" Roll Dia				5" Roll Dia			
	CENTER ROLL #	WT	WING ROLL #	WT	CENTER ROLL #	WT	WING ROLL #	WT
14	B4-CIT-14SB	4	B4-CITW-14SB	4	B5-CIT-14SB	5	B5-CITW-14SB	5
16	B4-CIT-16SB	4	B4-CITW-16SB	4	B5-CIT-16SB	6	B5-CITW-16SB	5
18	B4-CIT-18SB	5	B4-CITW-18SB	4	B5-CIT-18SB	6	B5-CITW-18SB	6
20	B4-CIT-20SB	5	B4-CITW-20SB	5	B5-CIT-20SB	6	B5-CITW-20SB	6
24	B4-CIT-24SB	6	B4-CITW-24SB	5	B5-CIT-24SB	7	B5-CITW-24SB	7
30	B4-CIT-30SB	7	B4-CITW-30SB	6	B5-CIT-30SB	8	B5-CITW-30SB	8
36	B4-CIT-36SB	8	B4-CITW-36SB	7	B5-CIT-36SB	10	B5-CITW-36SB	9
42	B4-CIFL-16SB	11	B4-CITW-36SB	7	B5-CIFL-16SB	11	B5-CITW-36SB	9
48	B4-CITS-48SB	14	B4-CITW-36SB	7	B5-CITS-48SB	17	B5-CITW-36SB	9

STEEL IDLER ROLLS

CHANNEL INSET FLAT, RETURN (CIF & CIR)

Belt Width	4" Roll Dia		5" Roll Dia	
	PART NUMBER	WT	PART NUMBER	WT
14	B4CIT48/CIF14SB	10	B5CIT48/CIF14SB	12
16	B4-CIFL-16SB	11	B5-CIFL-16SB	14
18	B4-CIFL-18SB	12	B5-CIFL-18SB	15
20	B4-CIFL-20SB	13	B5-CIFL-20SB	16
24	B4-CIFL-24SB	15	B5-CIFL-24SB	18
30	B4-CIFL-30SB	18	B5-CIFL-30SB	22
36	B4-CIFL-36SB	21	B5-CIFL-36SB	26
42	B4-CIFL-42SB	24	B5-CIFL-42SB	30
48	B4-CIFL-48SB	27	B5-CIFL-48SB	33

RUBBER DISC IDLER ROLLS

CHANNEL INSET FLAT (CIFRD)

Belt Width	4" Roll Dia		5" Roll Dia	
	PART NUMBER	WT	PART NUMBER	WT
14	B4-CIFLI-14SB	12	B5-CIFLI-14SB	16
16	B4-CIFLI-16SB	13	B5-CIFLI-16SB	17
18	B4-CIFLI-18SB	15	B5-CIFLI-18SB	19
20	B4-CIFLI-20SB	16	B5-CIFLI-20SB	21
24	B4-CIFLI-24SB	19	B5-CIFLI-24SB	24
30	B4-CIFLI-30SB	23	B5-CIFLI-30SB	29
36	B4-CIFLI-36SB	27	B5-CIFLI-36SB	35
42	B4-CIFLI-42SB	31	B5-CIFLI-42SB	40
48	B4-CIFLI-48SB	35	B5-CIFLI-48SB	45

CHANNEL INSET RETURN (CIRRD)

Belt Width	4" Roll Dia		5" Roll Dia	
	PART NUMBER	WT	PART NUMBER	WT
14	B4-CIRI-14SB	12	B5-CIRI-14SB	15
16	B4-CIRI-16SB	14	B5-CIRI-16SB	17
18	B4-CIRI-18SB	15	B5-CIRI-18SB	18
20	B4-CIRI-20SB	16	B5-CIRI-20SB	19
24	B4-CIRI-24SB	18	B5-CIRI-24SB	21
30	B4-CIRI-30SB	21	B5-CIRI-30SB	25
36	B4-CIRI-36SB	24	B5-CIRI-36SB	29
42	B4-CIRI-42SB	28	B5-CIRI-42SB	32
48	B4-CIRI-48SB	31	B5-CIRI-48SB	36

RUBBER DISC IDLER ROLLS

20° UNEQUAL IMPACT TROUGHER - TUI

Belt Width	4" Roll Dia				5" Roll Dia			
	CENTER ROLL #	WT	WING ROLL #	WT	CENTER ROLL #	WT	WING ROLL #	WT
24	B4-TEI-42SB	12	B4-TEI-14SB	4	B5-TEI-42SB	15	B5-TEI-14SB	6
30	B4-FLI-18SB	15	B4-TEI-14SB	4	B5-FLI-18SB	19	B5-TEI-14SB	6
36	B4-FLI-24SB	19	B4-TEI-14SB	4	B5-FLI-24SB	25	B5-TEI-14SB	6
42	B4-FLI-30SB	23	B4-TEI-14SB	4	B5-FLI-30SB	30	B5-TEI-14SB	6
48	B4-FLI-36SB	27	B4-TEI-14SB	4	B5-FLI-36SB	35	B5-TEI-14SB	6

35° UNEQUAL IMPACT TROUGHER - TUI

Belt Width	4" Roll Dia				5" Roll Dia			
	CENTER ROLL #	WT	WING ROLL #	WT	CENTER ROLL #	WT	WING ROLL #	WT
24	B4-TEI-36SB	10	B4-TEI-18SB	5	B5-TEI-36SB	13	B5-TEI-18SB	7
30	B4-TEI-42SB	12	B4-TEI-24SB	6	B5-TEI-42SB	15	B5-TEI-24SB	9
36	B4-FLI-18SB	15	B4-TEI-24SB	6	B5-FLI-18SB	19	B5-TEI-24SB	9
42	B4-FLI-18SB	15	B4-TEI-30SB	7	B5-FLI-18SB	19	B5-TEI-30SB	11
48	B4-FLI-24SB	19	B4-TEI-30SB	7	B5-FLI-24SB	25	B5-TEI-30SB	11

CHANNEL INSET IMPACT TROUGHER - CITI

Belt Width	4" Roll Dia				5" Roll Dia			
	CENTER ROLL #	WT	WING ROLL #	WT	CENTER ROLL #	WT	WING ROLL #	WT
14	B4-CITI-14SB	4	B4-CITI-14SB	4	B5-CITI-14SB	5	B5-CITI-14SB	5
16	B4-CITI-16SB	5	B4-CITI-16SB	5	B5-CITI-16SB	6	B5-CITI-16SB	6
18	B4-CITI-18SB	5	B4-CITI-18SB	5	B5-CITI-18SB	7	B5-CITI-18SB	7
20	B4-CITI-20SB	6	B4-CITI-20SB	6	B5-CITI-20SB	7	B5-CITI-20SB	7
24	B4-CITI-24SB	6	B4-CITI-24SB	6	B5-CITI-24SB	8	B5-CITI-24SB	8
30	B4-CITI-30SB	8	B4-CITI-30SB	8	B5-CITI-30SB	11	B5-CITI-30SB	11
36	B4-CITI-36SB	10	B4-CITI-36SB	10	B5-CITI-36SB	13	B5-CITI-36SB	13
42	B4-CIFLI-16SB	13	B4-CITI-36SB	10	B5-CIFLI-16SB	17	B5-CITI-36SB	13
48	B4-CITIS-48SB	17	B4-CITI-36SB	10	B5-CITIS-48SB	22	B5-CITI-36SB	13

STANDARD END STANDS				NON-STANDARD END STANDS - CHECK FOR AVAILABILITY			
DESCRIPTION	EXTENDED DESCRIPTION	PART NUMBER	WT	DESCRIPTION	EXTENDED DESCRIPTION	PART NUMBER	WT
End Stand	1 1/2" Height	15001	1	End Stand	1	15002	1
End Stand	4 1/2" Height	01990	1.9	End Stand	XHD 1 1/2	15003	1.2
				End Stand	2.25	33680	2
				End Stand	2.5	33681	2
				End Stand	3.5	29630	1.5
				End Stand	4.125	24630	1.8
				End Stand	4.25	30202	1.8
				End Stand	XHD 4 1/2	30393	2.6
				End Stand	6	30340	2.4
				End Stand	6.5	30000	2.5
				End Stand	7.5	30003	3
				End Stand	8	30002	3
				CI Web Mount End Stand	4.5	33550	1.7

STANDARD DROP BRACKETS				NON-STANDARD DROP BRACKETS - CHECK FOR AVAILABILITY			
DESCRIPTION	EXTENDED DESCRIPTION	PART NUMBER	WT	DESCRIPTION	EXTENDED DESCRIPTION	PART NUMBER	WT
Drop Bracket	1 1/2" Drop	02200	0.9	Drop Bracket	XHD 1 1/2	02201	1.7
Drop Bracket	4 1/2" Drop	14200	1.9	Drop Bracket	3	31940	1.6
BeltSaver II	4 1/2" Drop	14207	4	Drop Bracket	3.5	20430	2
Channel Inset	4" Web Mount	30640	2	Drop Bracket	4.125	29100	2.3
Channel Inset	2" Drop	24390	1.3	Drop Bracket	4.25	22250	2.3
				Drop Bracket	XHD 4 1/2	14205	2.5
				Drop Bracket	Wide XHD 4 1/2	14206	3
				Drop Bracket	5	24531	2.7
				Drop Bracket	5.5	25920	2.9
				Drop Bracket	6	24270	3.1
				Drop Bracket	BeltSaver II - 6	14208	4.7
				Drop Bracket	7.5	29950	3.7
				Drop Bracket	8	29070	3.9
				Drop Bracket	9	30180	4.3
				Drop Bracket	11.75	31270	5.4
				Drop Bracket	13	31271	6.9
				Drop Bracket	16	27320	7.3
				Drop Bracket	17	28990	7.7

B REPLACEMENT CLIP KITS		
PART NUMBER	DESCRIPTION	WT
KITB20T	B 20 Degree Clip Kit TE/TU/CIT	0.22
KITB35T	B 35 Degree Clip Kit TE/TU/CIT	0.24
KITB45T	B 45 Degree Clip Kit TE/TU/CIT	0.22
KITB20TI	B 20 Degree Clip Kit TESA/CITX	0.18
KITB35TI	B 35 Degree Clip Kit TESA/CITX	0.20
KITB45TI	B 45 Degree Clip Kit TESA/CITX	0.18

STEEL IDLER ROLLS

EQUAL TROUGHER - TE, TESA, & TET

Belt Width	4" Roll Dia		5" Roll Dia		6" Roll Dia	
	PART NUMBER	WT	PART NUMBER	WT	PART NUMBER	WT
18	C4-TE-18SB	7	C5-TE-18SB	8	C6-TE-18SB	10
20	C4-TE-20SB	7	C5-TE-20SB	8	C6-TE-20SB	11
24	C4-TE-24SB	8	C5-TE-24SB	9	C6-TE-24SB	13
30	C4-TE-30SB	9	C5-TE-30SB	11	C6-TE-30SB	15
36	C4-TE-36SB	11	C5-TE-36SB	12	C6-TE-36SB	17
42	C4-TE-42SB	12	C5-TE-42SB	14	C6-TE-42SB	19
48	C4-TE-48SB	13	C5-TE-48SB	16	C6-TE-48SB	21
54	C4-TE-54SB	15	C5-TE-54SB	17	C6-TE-54SB	23
60	C4-TE-60SB	16	C5-TE-60SB	19	C6-TE-60SB	25

FLAT CARRIER - F & FSA

Belt Width	4" Roll Dia		5" Roll Dia		6" Roll Dia	
	PART NUMBER	WT	PART NUMBER	WT	PART NUMBER	WT
18	C4-FL-18SB	16	C5-FL-18SB	19	C6-FL-18SB	24
20	C4-FL-20SB	17	C5-FL-20SB	21	C6-FL-20SB	26
24	C4-FL-24SB	20	C5-FL-24SB	24	C6-FL-24SB	30
30	C4-FL-30SB	23	C5-FL-30SB	29	C6-FL-30SB	33
36	C4-FL-36SB	27	C5-FL-36SB	33	C6-FL-36SB	41
42	C4-FL-42SB	31	C5-FL-42SB	38	C6-FL-42SB	47
48	C4-FL-48SB	35	C5-FL-48SB	42	C6-FL-48SB	53
54	C4-FL-54SB	39	C5-FL-54SB	47	C6-FL-54SB	58
60	C4-FL-60SB	43	C5-FL-60SB	52	C6-FL-60SB	64

RETURN - R & RSA

Belt Width	4" Roll Dia		5" Roll Dia		6" Roll Dia	
	PART NUMBER	WT	PART NUMBER	WT	PART NUMBER	WT
18	C4-FL-18SB	16	C5-FL-18SB	19	C6-FL-18SB	24
20	C4-FL-20SB	17	C5-FL-20SB	21	C6-FL-20SB	26
24	C4-FL-24SB	20	C5-FL-24SB	24	C6-FL-24SB	30
30	C4-FL-30SB	23	C5-FL-30SB	29	C6-FL-30SB	33
36	C4-FL-36SB	27	C5-FL-36SB	33	C6-FL-36SB	41
42	C4-FL-42SB	31	C5-FL-42SB	38	C6-FL-42SB	47
48	C4-FL-48SB	35	C5-FL-48SB	42	C6-FL-48SB	53
54	C4-FL-54SB	39	C5-FL-54SB	47	C6-FL-54SB	58
60	C4-FL-60SB	43	C5-FL-60SB	52	C6-FL-60SB	64

V-RETURN - VR & INVERTED V-RETURN - IVR

Belt Width	4" Roll Dia		5" Roll Dia		6" Roll Dia	
	PART NUMBER	WT	PART NUMBER	WT	PART NUMBER	WT
24	C4-V-24SB	10	C5-V-24SB	14	C6-V-24SB	18
30	C4-V-30SB	12	C5-V-30SB	16	C6-V-30SB	20
36	C4-TE-54SB	14	C5-TE-54SB	17	C6-TE-54SB	23
42	C4-V-42SB	16	C5-V-42SB	21	C6-V-42SB	26
48	C4-V-48SB	18	C5-V-48SB	23	C6-V-48SB	29
54	C4-V-54SB	20	C5-V-54SB	25	C6-V-54SB	31
60	C4-V-60SB	22	C5-V-60SB	28	C6-V-60SB	32

RUBBER DISC IDLER ROLLS

EQUAL TROUGHER IMPACT - TEI

Belt Width	4" Roll Dia		5" Roll Dia		6" Roll Dia	
	PART NUMBER	WT	PART NUMBER	WT	PART NUMBER	WT
18	C4-TEI-18SB	6	C5-TEI-18SB	8	C6-TEI-18SB	9
20	C4-TEI-20SB	7	C5-TEI-20SB	9	C6-TEI-20SB	11
24	C4-TEI-24SB	8	C5-TEI-24SB	10	C6-TEI-24SB	12
30	C4-TEI-30SB	9	C5-TEI-30SB	12	C6-TEI-30SB	15
36	C4-TEI-36SB	11	C5-TEI-36SB	14	C6-TEI-36SB	17
42	C4-TEI-42SB	12	C5-TEI-42SB	16	C6-TEI-42SB	20
48	C4-TEI-48SB	14	C5-TEI-48SB	18	C6-TEI-48SB	23
54	C4-TEI-54SB	15	C5-TEI-54SB	20	C6-TEI-54SB	27
60	C4-TEI-60SB	17	C5-TEI-60SB	23	C6-TEI-60SB	29

FLAT CARRIER - FRD

Belt Width	4" Roll Dia		5" Roll Dia		6" Roll Dia	
	PART NUMBER	WT	PART NUMBER	WT	PART NUMBER	WT
18	C4-FLI-18SB	20	C5-FLI-18SB	25	C6-FLI-18SB	30
20	C4-FLI-20SB	21	C5-FLI-20SB	27	C6-FLI-20SB	33
24	C4-FLI-24SB	25	C5-FLI-24SB	31	C6-FLI-24SB	38
30	C4-FLI-30SB	30	C5-FLI-30SB	38	C6-FLI-30SB	46
36	C4-FLI-36SB	35	C5-FLI-36SB	44	C6-FLI-36SB	54
42	C4-FLI-42SB	41	C5-FLI-42SB	51	C6-FLI-42SB	62
48	C4-FLI-48SB	46	C5-FLI-48SB	58	C6-FLI-48SB	70
54	C4-FLI-54SB	52	C5-FLI-54SB	64	C6-FLI-54SB	78
60	C4-FLI-60SB	57	C5-FLI-60SB	71	C6-FLI-60SB	87

RETURN - RRD & RRDSA

Belt Width	4" Roll Dia		5" Roll Dia		6" Roll Dia	
	PART NUMBER	WT	PART NUMBER	WT	PART NUMBER	WT
18	C4-RI-18SB	15	C5-RI-18SB	18	C6-RI-18SB	23
20	C4-RI-20SB	16	C5-RI-20SB	19	C6-RI-20SB	23
24	C4-RI-24SB	18	C5-RI-24SB	22	C6-RI-24SB	26
30	C4-RI-30SB	21	C5-RI-30SB	25	C6-RI-30SB	30
36	C4-RI-36SB	24	C5-RI-36SB	28	C6-RI-36SB	34
42	C4-RI-42SB	27	C5-RI-42SB	31	C6-RI-42SB	37
48	C4-RI-48SB	30	C5-RI-48SB	34	C6-RI-48SB	41
54	C4-RI-54SB	33	C5-RI-54SB	38	C6-RI-54SB	45
60	C4-RI-60SB	35	C5-RI-60SB	41	C6-RI-60SB	48

V-RETURN - VRI & INVERTED V-RETURN - IVRI

Belt Width	4" Roll Dia		5" Roll Dia		6" Roll Dia	
	PART NUMBER	WT	PART NUMBER	WT	PART NUMBER	WT
24	-	-	C5-VRI-24SB	12	C6-VRI-24SB	14
30	-	-	C5-VRI-30SB	14	C6-VRI-30SB	17
36	-	-	C5-VRI-36SB	15	C6-VRI-36SB	18
42	-	-	C5-VRI-42SB	17	C6-VRI-42SB	21
48	-	-	C5-VRI-48SB	18	C6-VRI-48SB	22
54	-	-	C5-VRI-54SB	20	C6-VRI-54SB	24
60	-	-	C5-VRI-60SB	23	C6-VRI-60SB	27

STEEL IDLER ROLLS

20° UNEQUAL TROUGHER - TU

Belt Width	4" Roll Dia				5" Roll Dia				6" Roll Dia			
	CENTER ROLL #	WT	WING ROLL #	WT	CENTER ROLL #	WT	WING ROLL #	WT	CENTER ROLL #	WT	WING ROLL #	WT
24	C4-TE-42SB	12	C4-TE-14SB	6	C5-TE-42SB	14	C5-TE-14SB	7	C6-TE-42SB	19	C6-TE-14SB	9
30	C4-FL-18SB	16	C4-TE-14SB	6	C5-FL-18SB	19	C5-TE-14SB	7	C6-FL-18SB	24	C6-TE-14SB	9
36	C4-FL-24SB	20	C4-TE-14SB	6	C5-FL-24SB	24	C5-TE-14SB	7	C6-FL-24SB	30	C6-TE-14SB	9
42	C4-FL-30SB	23	C4-TE-14SB	6	C5-FL-30SB	29	C5-TE-14SB	7	C6-FL-30SB	33	C6-TE-14SB	9
48	C4-FL-36SB	27	C4-TE-14SB	6	C5-FL-36SB	33	C5-TE-14SB	7	C6-FL-36SB	41	C6-TE-14SB	9
54	C4-FL-42SB	31	C4-TE-14SB	6	C5-FL-42SB	38	C5-TE-14SB	7	C6-FL-42SB	47	C6-TE-14SB	9
60	C4-FL-48SB	35	C4-TE-14SB	6	C5-FL-48SB	42	C5-TE-14SB	7	C6-FL-48SB	53	C6-TE-14SB	9

35° UNEQUAL TROUGHER - TU

Belt Width	4" Roll Dia				5" Roll Dia				6" Roll Dia			
	CENTER ROLL #	WT	WING ROLL #	WT	CENTER ROLL #	WT	WING ROLL #	WT	CENTER ROLL #	WT	WING ROLL #	WT
24	C4-TE-36SB	11	C4-TE-18SB	7	C5-TE-36SB	12	C5-TE-18SB	8	C6-TE-36SB	17	C6-TE-18SB	10
30	C4-TE-42SB	12	C4-TE-24SB	8	C5-TE-42SB	14	C5-TE-24SB	9	C6-TE-42SB	19	C6-TE-24SB	13
36	C4-TE-54SB	15	C4-TE-24SB	8	C5-TE-54SB	17	C5-TE-24SB	9	C6-TE-54SB	23	C6-TE-24SB	13
42	C4-FL-18SB	16	C4-TE-30SB	9	C5-FL-18SB	19	C5-TE-30SB	11	C6-FL-18SB	24	C6-TE-30SB	15
48	C4-FL-24SB	20	C4-TE-30SB	9	C5-FL-24SB	24	C5-TE-30SB	11	C6-FL-24SB	30	C6-TE-30SB	15
54	C4-FL-30SB	23	C4-TE-30SB	9	C5-FL-30SB	29	C5-TE-30SB	11	C6-FL-30SB	33	C6-TE-30SB	15
60	C4-FL-36SB	27	C4-TE-30SB	9	C5-FL-36SB	33	C5-TE-30SB	11	C6-FL-36SB	41	C6-TE-30SB	15

CHANNEL INSET TROUGHER - CIT

Belt Width	4" Roll Dia				5" Roll Dia				6" Roll Dia			
	CENTER ROLL #	WT	WING ROLL #	WT	CENTER ROLL #	WT	WING ROLL #	WT	CENTER ROLL #	WT	WING ROLL #	WT
24	C4-CIT-18SB	6	C4-CITW-18SB	6	C5-CIT-18SB	8	C5-CITW-18SB	7	-	-	-	-
30	C4-CIT-20SB	7	C4-CITW-20SB	6	C5-CIT-20SB	9	C5-CITW-20SB	8	-	-	-	-
36	C4-CIT-24SB	8	C4-CITW-24SB	7	C5-CIT-24SB	10	C5-CITW-24SB	9	-	-	-	-
42	C4-CIT-30SB	9	C4-CITW-30SB	8	C5-CIT-30SB	11	C5-CITW-30SB	10	-	-	-	-
48	C4-CIT-36SB	10	C4-CITW-36SB	10	C5-CIT-36SB	13	C5-CITW-36SB	12	-	-	-	-
54	C4-CIT-54SB	14	C4-CITW-36SB	10	C5-CIT-54SB	17	C5-CITW-36SB	12	-	-	-	-
60	C4-CITS-48SB	18	C4-CITW-36SB	10	C5-CITS-48SB	22	C5-CITW-36SB	12	-	-	-	-
54	C4-CITS-54SB	22	C4-CITW-36SB	10	C5-CITS-54SB	26	C5-CITW-36SB	12	-	-	-	-
60	C4-CITS-60SB	25	C4-CITW-36SB	10	C5-CITS-60SB	31	C5-CITW-36SB	12	-	-	-	-

STEEL IDLER ROLLS

CHANNEL INSET FLAT, RETURN (CIF & CIR)

Belt Width	4" Roll Dia		5" Roll Dia	
	PART NUMBER	WT	PART NUMBER	WT
18	C4CIT60/CIF18SB	15	C5CIT60/CIF18SB	19
20	C4-CIFL-20SB	17	C5-CIFL-20SB	20
24	C4-CIFL-24SB	19	C5-CIFL-24SB	23
30	C4-CIFL-30SB	23	C5-CIFL-30SB	28
36	C4-CIFL-36SB	27	C5-CIFL-36SB	33
42	C4-CIFL-42SB	31	C5-CIFL-42SB	37
48	C4-CIFL-48SB	34	C5-CIFL-48SB	42
54	C4-CIFL-54SB	38	C5-CIFL-54SB	46
60	C4-CIFL-60SB	42	C5-CIFL-60SB	51

RUBBER DISC IDLER ROLLS

CHANNEL INSET FLAT (CIFRD)

Belt Width	4" Roll Dia		5" Roll Dia	
	PART NUMBER	WT	PART NUMBER	WT
18	C4-CIFLI-18SB	19	C5-CIFLI-18SB	24
20	C4-CIFLI-20SB	21	C5-CIFLI-20SB	27
24	C4-CIFLI-24SB	24	C5-CIFLI-24SB	31
30	C4-CIFLI-30SB	30	C5-CIFLI-30SB	37
36	C4-CIFLI-36SB	35	C5-CIFLI-36SB	44
42	C4-CIFLI-42SB	40	C5-CIFLI-42SB	50
48	C4-CIFLI-48SB	46	C5-CIFLI-48SB	57
54	C4-CIFLI-54SB	51	C5-CIFLI-54SB	63
60	C4-CIFLI-60SB	56	C5-CIFLI-60SB	70

CHANNEL INSET RETURN (CIRRD)

Belt Width	4" Roll Dia		5" Roll Dia	
	PART NUMBER	WT	PART NUMBER	WT
18	C4-CIRI-18SB	15	C5-CIRI-18SB	18
20	C4-CIRI-20SB	16	C5-CIRI-20SB	19
24	C4-CIRI-24SB	18	C5-CIRI-24SB	21
30	C4-CIRI-30SB	21	C5-CIRI-30SB	24
36	C4-CIRI-36SB	24	C5-CIRI-36SB	28
42	C4-CIRI-42SB	26	C5-CIRI-42SB	31
48	C4-CIRI-48SB	29	C5-CIRI-48SB	34
54	C4-CIRI-54SB	32	C5-CIRI-54SB	37
60	C4-CIRI-60SB	35	C5-CIRI-60SB	41

RUBBER DISC IDLER ROLLS

20° UNEQUAL IMPACT TROUGHER - TUI

Belt Width	4" Roll Dia				5" Roll Dia				6" Roll Dia			
	CENTER ROLL #	WT	WING ROLL #	WT	CENTER ROLL #	WT	WING ROLL #	WT	CENTER ROLL #	WT	WING ROLL #	WT
24	C4-TEI-42SB	12	C4-TEI-14SB	5	C5-TEI-42SB	16	C5-TEI-14SB	6	C6-TEI-42SB	20	C6-TEI-14SB	8
30	C4-FLI-18SB	20	C4-TEI-14SB	5	C5-FLI-18SB	25	C5-TEI-14SB	6	C6-FLI-18SB	30	C6-TEI-14SB	8
36	C4-FLI-24SB	25	C4-TEI-14SB	5	C5-FLI-24SB	31	C5-TEI-14SB	6	C6-FLI-24SB	38	C6-TEI-14SB	8
42	C4-FLI-30SB	30	C4-TEI-14SB	5	C5-FLI-30SB	38	C5-TEI-14SB	6	C6-FLI-30SB	46	C6-TEI-14SB	8
48	C4-FLI-36SB	35	C4-TEI-14SB	5	C5-FLI-36SB	44	C5-TEI-14SB	6	C6-FLI-36SB	54	C6-TEI-14SB	8
54	C4-FLI-42SB	41	C4-TEI-14SB	5	C5-FLI-42SB	51	C5-TEI-14SB	6	C6-FLI-42SB	62	C6-TEI-14SB	8
60	C4-FLI-48SB	46	C4-TEI-14SB	5	C5-FLI-48SB	58	C5-TEI-14SB	6	C6-FLI-48SB	70	C6-TEI-14SB	8

35° UNEQUAL IMPACT TROUGHER - TUI

Belt Width	4" Roll Dia				5" Roll Dia				6" Roll Dia			
	CENTER ROLL #	WT	WING ROLL #	WT	CENTER ROLL #	WT	WING ROLL #	WT	CENTER ROLL #	WT	WING ROLL #	WT
24	C4-TEI-36SB	10	C4-TEI-18SB	5	C5-TEI-36SB	14	C5-TEI-18SB	8	C6-TEI-36SB	17	C6-TEI-18SB	9
30	C4-TEI-42SB	12	C4-TEI-24SB	7	C5-TEI-42SB	16	C5-TEI-24SB	10	C6-TEI-42SB	20	C6-TEI-24SB	12
36	C4-TEI-54SB	15	C4-TEI-24SB	7	C5-TEI-54SB	20	C5-TEI-24SB	10	C6-TEI-54SB	27	C6-TEI-24SB	12
42	C4-FLI-18SB	30	C4-TEI-30SB	9	C5-FLI-18SB	25	C5-TEI-30SB	12	C6-FLI-18SB	30	C6-TEI-30SB	15
48	C4-FLI-24SB	25	C4-TEI-30SB	9	C5-FLI-24SB	31	C5-TEI-30SB	12	C6-FLI-24SB	38	C6-TEI-30SB	15
54	C4-FLI-30SB	30	C4-TEI-30SB	9	C5-FLI-30SB	38	C5-TEI-30SB	12	C6-FLI-30SB	46	C6-TEI-30SB	15
60	C4-FLI-36SB	35	C4-TEI-30SB	9	C5-FLI-36SB	44	C5-TEI-30SB	12	C6-FLI-36SB	54	C6-TEI-30SB	15

CHANNEL INSET IMPACT TROUGHER - CITI

Belt Width	4" Roll Dia				5" Roll Dia				6" Roll Dia			
	CENTER ROLL #	WT	WING ROLL #	WT	CENTER ROLL #	WT	WING ROLL #	WT	CENTER ROLL #	WT	WING ROLL #	WT
18	C4-CITI-18SB	6	C4-CITIW-18SB	5	C5-CITI-18SB	7	C5-CITIW-18SB	6	-	-	-	-
20	C4-CITI-20SB	6	C4-CITIW-20SB	5	C5-CITI-20SB	8	C5-CITIW-20SB	7	-	-	-	-
24	C4-CITI-24SB	7	C4-CITIW-24SB	7	C5-CITI-24SB	9	C5-CITIW-24SB	9	-	-	-	-
30	C4-CITI-30SB	9	C4-CITIW-30SB	8	C5-CITI-30SB	11	C5-CITIW-30SB	10	-	-	-	-
36	C4-CITI-36SB	10	C4-CITIW-36SB	10	C5-CITI-36SB	13	C5-CITIW-36SB	12	-	-	-	-
42	C4-CITI-54SB	14	C4-CITIW-36SB	10	C5-CITI-54SB	19	C5-CITIW-36SB	12	-	-	-	-
48	C4-CITIS-48SB	22	C4-CITIW-36SB	10	C5-CITIS-48SB	28	C5-CITIW-36SB	12	-	-	-	-
54	C4-CITIS-54SB	28	C4-CITIW-36SB	10	C5-CITIS-54SB	35	C5-CITIW-36SB	12	-	-	-	-
60	C4-CITIS-60SB	33	C4-CITIW-36SB	10	C5-CITIS-60SB	41	C5-CITIW-36SB	12	-	-	-	-

STANDARD END STANDS				NON-STANDARD END STANDS - <i>CHECK FOR AVAILABILITY</i>			
DESCRIPTION	EXTENDED DESCRIPTION	PART NUMBER	WT	DESCRIPTION	EXTENDED DESCRIPTION	PART NUMBER	WT
End Stand	1 1/2" Height	15001	1	End Stand	1	15002	1
End Stand	4 1/2" Height	01990	1.9	End Stand	XHD 1 1/2	15003	1.2
				End Stand	2.25	33680	2
				End Stand	2.5	33681	2
				End Stand	3.5	29630	1.5
				End Stand	4.125	24630	1.8
				End Stand	4.25	30202	1.8
				End Stand	XHD 4 1/2	30393	2.6
				End Stand	6	30340	2.4
				End Stand	6.5	30000	2.5
				End Stand	7.5	30003	3

STANDARD DROP BRACKETS				NON-STANDARD DROP BRACKETS - <i>CHECK FOR AVAILABILITY</i>			
DESCRIPTION	EXTENDED DESCRIPTION	PART NUMBER	WT	DESCRIPTION	EXTENDED DESCRIPTION	PART NUMBER	WT
Drop Bracket	1 1/2" Drop	02200	0.9	Drop Bracket	XHD 1 1/2	02201	1.7
Drop Bracket	4 1/2" Drop	14200	1.9	Drop Bracket	3	31940	1.6
BeltSaver II	4 1/2" Drop	14207	4	Drop Bracket	3.5	20430	2
Channel Inset	4" Web Mount	30640	2	Drop Bracket	4.125	29100	2.3
Channel Inset	2" Drop	24390	1.3	Drop Bracket	4.25	22250	2.3
				Drop Bracket	XHD 4 1/2	14205	2.5
				Drop Bracket	Wide XHD 4 1/2	14206	3
				Drop Bracket	5	24531	2.7
				Drop Bracket	5.5	25920	2.9
				Drop Bracket	6	24270	3.1
				Drop Bracket	BeltSaver II - 6	14208	4.7
				Drop Bracket	7.5	29950	3.7
				Drop Bracket	8	29070	3.9
				Drop Bracket	9	30180	4.3
				Drop Bracket	11.75	31270	5.4
				Drop Bracket	13	31271	6.9
				Drop Bracket	16	27320	7.3
				Drop Bracket	17	28990	7.7

C REPLACEMENT CLIP KITS		
PART NUMBER	DESCRIPTION	WT
KITC20T	C 20 Degree Clip Kit TE/TU/CIT	0.22
KITC35T	C 35 Degree Clip Kit TE/TU/CIT	0.24
KITC45T	C 45 Degree Clip Kit TE/TU/CIT	0.30
KITC20TI	C 20 Degree Clip Kit TESA/CITX	0.18
KITC35TI	C 35 Degree Clip Kit TESA/CITX	0.20
KITC45TI	C 45 Degree Clip Kit TESA/CITX	0.26
KITCIVR	C 15 Degree Clip Kit IVR	0.37
KITCTET	C Clip KIT TET	0.36
KITC10VR	C 10 Degree Clip Kit VR	0.15

STEEL IDLER ROLLS

EQUAL TROUGHER - TE, TESA, TET

Belt Width	5" Roll Dia		6" Roll Dia	
	PART NUMBER	WT	PART NUMBER	WT
24	D5-TE-24SB	11	D6-TE-24SB	14
30	D5-TE-30SB	13	D6-TE-30SB	17
36	D5-TE-36SB	15	D6-TE-36SB	19
42	D5-TE-42SB	17	D6-TE-42SB	21
48	D5-TE-48SB	19	D6-TE-48SB	24
54	D5-TE-54SB	21	D6-TE-54SB	26
60	D5-TE-60SB	22	D6-TE-60SB	28
72	D5-TE-72SB	26	D6-TE-72SB	33

FLAT CARRIER - F & FSA

Belt Width	5" Roll Dia		6" Roll Dia	
	PART NUMBER	WT	PART NUMBER	WT
24	D5-FL-24SB	27	D6-FL-24SB	34
30	D5-FL-30SB	33	D6-FL-30SB	41
36	D5-FL-36SB	38	D6-FL-36SB	47
42	D5-FL-42SB	43	D6-FL-42SB	54
48	D5-FL-48SB	48	D6-FL-48SB	60
54	D5-FL-54SB	53	D6-FL-54SB	66
60	D5-FL-60SB	58	D6-FL-60SB	73
72	D5-FL-72SB	69	D6-FL-72SB	86

RETURN - R & RSA

Belt Width	5" Roll Dia		6" Roll Dia	
	PART NUMBER	WT	PART NUMBER	WT
24	D5-FL-24SB	27	D6-FL-24SB	34
30	D5-FL-30SB	33	D6-FL-30SB	41
36	D5-FL-36SB	38	D6-FL-36SB	47
42	D5-FL-42SB	43	D6-FL-42SB	54
48	D5-FL-48SB	48	D6-FL-48SB	60
54	D5-FL-54SB	53	D6-FL-54SB	66
60	D5-FL-60SB	58	D6-FL-60SB	73
72	D5-FL-72SB	69	D6-FL-72SB	86

V-RETURN - VR & INVERTED V-RETURN - IVR

Belt Width	5" Roll Dia		6" Roll Dia	
	PART NUMBER	WT	PART NUMBER	WT
24	D5-V-24SB	16	D6-V-24SB	19
30	D5-V-30SB	18	D6-V-30SB	23
36	D5-TE-54SB	21	D6-TE-54SB	26
42	D5-V-42SB	23	D6-V-42SB	29
48	D5-V-48SB	26	D6-V-48SB	33
54	D5-V-54SB	29	D6-V-54SB	36
60	D5-V-60SB	31	D6-V-60SB	39
72	D5-V-72SB	36	D6-V-72SB	46

RUBBER DISC IDLER ROLLS

EQUAL TROUGHER IMPACT - TEI

Belt Width	5" Roll Dia		6" Roll Dia	
	PART NUMBER	WT	PART NUMBER	WT
24	D5-TEI-24SB	15	D6-TEI-24SB	17
30	D5-TEI-30SB	18	D6-TEI-30SB	21
36	D5-TEI-36SB	20	D6-TEI-36SB	23
42	D5-TEI-42SB	23	D6-TEI-42SB	27
48	D5-TEI-48SB	26	D6-TEI-48SB	30
54	D5-TEI-54SB	29	D6-TEI-54SB	34
60	D5-TEI-60SB	32	D6-TEI-60SB	37
72	D5-TEI-72SB	38	D6-TEI-72SB	44

FLAT CARRIER - FRD

Belt Width	5" Roll Dia		6" Roll Dia	
	PART NUMBER	WT	PART NUMBER	WT
24	D5-FLI-24SB	37	D6-FLI-24SB	42
30	D5-FLI-30SB	44	D6-FLI-30SB	51
36	D5-FLI-36SB	52	D6-FLI-36SB	59
42	D5-FLI-42SB	59	D6-FLI-42SB	68
48	D5-FLI-48SB	66	D6-FLI-48SB	76
54	D5-FLI-54SB	74	D6-FLI-54SB	85
60	D5-FLI-60SB	81	D6-FLI-60SB	93
72	D5-FLI-72SB	96	D6-FLI-72SB	111

RETURN - RRD & RRDSA

Belt Width	5" Roll Dia		6" Roll Dia	
	PART NUMBER	WT	PART NUMBER	WT
24	D5-RI-24SB	35	D6-RI-24SB	39
30	D5-RI-30SB	41	D6-RI-30SB	46
36	D5-RI-36SB	47	D6-RI-36SB	52
42	D5-RI-42SB	53	D6-RI-42SB	59
48	D5-RI-48SB	59	D6-RI-48SB	65
54	D5-RI-54SB	65	D6-RI-54SB	72
60	D5-RI-60SB	71	D6-RI-60SB	78
72	D5-RI-72SB	84	D6-RI-72SB	91

V-RETURN - VRI & INVERTED V-RETURN - IVRI

Belt Width	5" Roll Dia		6" Roll Dia	
	PART NUMBER	WT	PART NUMBER	WT
24	D5-VRI-24SB	17	D6-VRI-24SB	19
30	D5-VRI-30SB	20	D6-VRI-30SB	23
36	D5-VRI-36SB	22	D6-VRI-36SB	25
42	D5-VRI-42SB	24	D6-VRI-42SB	27
48	D5-VRI-48SB	26	D6-VRI-48SB	29
54	D5-VRI-54SB	29	D6-VRI-54SB	32
60	D5-VRI-60SB	31	D6-VRI-60SB	35
72	D5-VRI-72SB	39	D6-VRI-72SB	43

STEEL IDLER ROLLS

20° UNEQUAL TROUGHER - TU

Belt Width	5" Roll Dia				6" Roll Dia			
	CENTER ROLL #	WT	WING ROLL #	WT	CENTER ROLL #	WT	WING ROLL #	WT
24	D5-TE-42SB	17	D5-TE-14SB	8	D6-TE-42SB	21	D6-TE-14SB	10
30	D5-FL-18SB	22	D5-TE-14SB	8	D6-FL-18SB	26	D6-TE-14SB	10
36	D5-FL-24SB	27	D5-TE-14SB	8	D6-FL-24SB	34	D6-TE-14SB	10
42	D5-FL-30SB	33	D5-TE-14SB	8	D6-FL-30SB	41	D6-TE-14SB	10
48	D5-FL-36SB	38	D5-TE-14SB	8	D6-FL-36SB	47	D6-TE-14SB	10
54	D5-FL-42SB	43	D5-TE-14SB	8	D6-FL-42SB	54	D6-TE-14SB	10
60	D5-FL-48SB	48	D5-TE-14SB	8	D6-FL-48SB	60	D6-TE-14SB	10
72	D5-FL-60SB	58	D5-TE-14SB	8	D6-FL-60SB	73	D6-TE-14SB	10

35° UNEQUAL TROUGHER - TU

Belt Width	5" Roll Dia				6" Roll Dia			
	CENTER ROLL #	WT	WING ROLL #	WT	CENTER ROLL #	WT	WING ROLL #	WT
24	D5-TE-36SB	15	D5-TE-18SB	9	D6-TE-36SB	19	D6-TE-18SB	11
30	D5-TE-42SB	17	D5-TE-24SB	11	D6-TE-42SB	21	D6-TE-24SB	14
36	D5-TE-54SB	21	D5-TE-24SB	11	D6-TE-54SB	26	D6-TE-24SB	14
42	D5-FL-18SB	22	D5-TE-30SB	13	D6-FL-18SB	26	D6-TE-30SB	17
48	D5-FL-24SB	27	D5-TE-30SB	13	D6-FL-24SB	34	D6-TE-30SB	17
54	D5-FL-30SB	33	D5-TE-30SB	13	D6-FL-30SB	41	D6-TE-30SB	17
60	D5-FL-36SB	38	D5-TE-30SB	13	D6-FL-36SB	47	D6-TE-30SB	17
72	D5-FL-48SB	48	D5-TE-30SB	13	D6-FL-48SB	60	D6-TE-30SB	17

RUBBER DISC IDLER ROLLS

20° UNEQUAL IMPACT TROUGHER - TUI

Belt Width	5" Roll Dia				6" Roll Dia			
	CENTER ROLL #	WT	WING ROLL #	WT	CENTER ROLL #	WT	WING ROLL #	WT
24	D5-TEI-42SB	23	D5-TEI-14SB	10	D6-TEI-42SB	23	D6-TEI-14SB	10
30	D5-FLI-18SB	30	D5-TEI-14SB	10	D6-FLI-18SB	34	D6-TEI-14SB	10
36	D5-FLI-24SB	37	D5-TEI-14SB	10	D6-FLI-24SB	42	D6-TEI-14SB	10
42	D5-FLI-30SB	44	D5-TEI-14SB	10	D6-FLI-30SB	51	D6-TEI-14SB	10
48	D5-FLI-36SB	52	D5-TEI-14SB	10	D6-FLI-36SB	59	D6-TEI-14SB	10
54	D5-FLI-42SB	29	D5-TEI-14SB	10	D6-FLI-42SB	68	D6-TEI-14SB	10
60	D5-FLI-48SB	66	D5-TEI-14SB	10	D6-FLI-48SB	76	D6-TEI-14SB	10
72	D5-FLI-60SB	81	D5-TEI-14SB	10	D6-FLI-60SB	93	D6-TEI-14SB	10

35° UNEQUAL IMPACT TROUGHER - TUI

Belt Width	5" Roll Dia				6" Roll Dia			
	CENTER ROLL #	WT	WING ROLL #	WT	CENTER ROLL #	WT	WING ROLL #	WT
24	D5-TEI-36SB	20	D5-TEI-18SB	12	D6-TEI-36SB	23	D6-TEI-18SB	14
30	D5-TEI-42SB	23	D5-TEI-24SB	15	D6-TEI-42SB	27	D6-TEI-24SB	17
36	D5-TEI-54SB	29	D5-TEI-24SB	15	D6-TEI-54SB	34	D6-TEI-24SB	17
42	D5-FLI-18SB	30	D5-TEI-30SB	18	D6-FLI-18SB	34	D6-TEI-30SB	21
48	D5-FLI-24SB	37	D5-TEI-30SB	18	D6-FLI-24SB	42	D6-TEI-30SB	21
54	D5-FLI-30SB	44	D5-TEI-30SB	18	D6-FLI-30SB	51	D6-TEI-30SB	21
60	D5-FLI-36SB	52	D5-TEI-30SB	18	D6-FLI-36SB	59	D6-TEI-30SB	21
72	D5-FLI-48SB	66	D5-TEI-30SB	18	D6-FLI-48SB	76	D6-TEI-30SB	21

CEMA D REPLACEMENT CLIPS & BRACKETS

STANDARD END STANDS				NON-STANDARD END STANDS - <i>CHECK FOR AVAILABILITY</i>			
DESCRIPTION	EXTENDED DESCRIPTION	PART NUMBER	WT	DESCRIPTION	EXTENDED DESCRIPTION	PART NUMBER	WT
End Stand	1 1/2" Height	15001	1	End Stand	1	15002	1
End Stand	4 1/2" Height	01990	1.9	End Stand	XHD 1 1/2	15003	1.2
				End Stand	2.25	33680	2
				End Stand	2.5	33681	2
				End Stand	3.5	29630	1.5
				End Stand	4.125	24630	1.8
				End Stand	4.25	30202	1.8
				End Stand	XHD 4 1/2	30393	2.6
				End Stand	6	30340	2.4
				End Stand	6.5	30000	2.5
				End Stand	7.5	30003	3
				End Stand	8	30002	3
				CI Web Mount Endstand	4.5	33550	1.7

STANDARD DROP BRACKETS				NON-STANDARD DROP BRACKETS - <i>CHECK FOR AVAILABILITY</i>			
DESCRIPTION	EXTENDED DESCRIPTION	PART NUMBER	WT	DESCRIPTION	EXTENDED DESCRIPTION	PART NUMBER	WT
Drop Bracket	1 1/2" Drop	02201	1.7	Drop Bracket	XHD 1 1/2	02201	1.7
Drop Bracket	4 1/2" Drop	14206	3	Drop Bracket	3	31940	1.6
BeltSaver II	4 1/2" Drop	14207	4	Drop Bracket	3.5	20430	2
				Drop Bracket	4.125	29100	2.3
				Drop Bracket	4.25	22250	2.3
				Drop Bracket	XHD 4 1/2	14205	2.5
				Drop Bracket	Wide XHD 4 1/2	14206	3
				Drop Bracket	5	24531	2.7
				Drop Bracket	5.5	25920	2.9
				Drop Bracket	6	24270	3.1
				Drop Bracket	BeltSaver II - 6	14208	4.7
				Drop Bracket	7.5	29950	3.7
				Drop Bracket	8	29070	3.9
				Drop Bracket	9	30180	4.3
				Drop Bracket	11.75	31270	5.4
				Drop Bracket	13	31271	6.9
				Drop Bracket	16	27320	7.3
				Drop Bracket	17	28990	7.7

D REPLACEMENT CLIP KITS		
PART NUMBER	DESCRIPTION	WT
KITD20T	D 20 Degree Clip Kit TE/TU/CIT	0.28
KITD35T	D 35 Degree Clip Kit TE/TU/CIT	0.30
KITD45T	D 45 Degree Clip Kit TE/TU/CIT	0.36
KITD20TI	D 20 Degree Clip Kit TESA/CITX	0.24
KITD35TI	D 35 Degree Clip Kit TESA/CITX	0.26
KITD45TI	D 45 Degree Clip Kit TESA/CITX	0.32
KITDIVR	D 15 Degree Clip Kit IVR	0.37
KITDTET	D Clip Kit TET	0.54
KITD10VR	D 10 Degree Clip Kit VR	0.21

STEEL IDLER ROLLS

EQUAL TROUGH - TE, TET, & TESA

Belt Width	6" Roll Dia		7" Roll Dia	
	PART NUMBER	WT	PART NUMBER	WT
36	E6-TE-36SB	32	E7-TE-36SB	36
42	E6-TE-42SB	35	E7-TE-42SB	40
48	E6-TE-48SB	40	E7-TE-48SB	45
54	E6-TE-54SB	43	E7-TE-54SB	49
60	E6-TE-60SB	47	E7-TE-60SB	53
66	E6-TE-66SB	50	E7-TE-66SB	56
72	E6-TE-72SB	54	E7-TE-72SB	60
84	E6-TE-84SB	60	E7-TE-84SB	68
96	E6-TE-96SB	67	E7-TE-96SB	76

FLAT CARRIER - F & FSA

Belt Width	6" Roll Dia		7" Roll Dia	
	PART NUMBER	WT	PART NUMBER	WT
36	E6-FL-36SB	78	E7-FL-36SB	88
42	E6-FL-42SB	88	E7-FL-42SB	99
48	E6-FL-48SB	98	E7-FL-48SB	111
54	E6-FL-54SB	109	E7-FL-54SB	122
60	E6-FL-60SB	119	E7-FL-60SB	135
66	E6-FL-66SB	129	E7-FL-66SB	145
72	E6-FL-72SB	139	E7-FL-72SB	157
84	E6-FL-84SB	160	E7-FL-84SB	180
96	E6-FL-96SB	180	E7-FL-96SB	203

RETURN - R & RSA

Belt Width	6" Roll Dia		7" Roll Dia	
	PART NUMBER	WT	PART NUMBER	WT
36	E6-FL-36SB	78	E7-FL-36SB	88
42	E6-FL-42SB	88	E7-FL-42SB	99
48	E6-FL-48SB	98	E7-FL-48SB	111
54	E6-FL-54SB	109	E7-FL-54SB	122
60	E6-FL-60SB	119	E7-FL-60SB	135
66	E6-FL-66SB	129	E7-FL-66SB	145
72	E6-FL-72SB	139	E7-FL-72SB	157
84	E6-FL-84SB	160	E7-FL-84SB	180
96	E6-FL-96SB	180	E7-FL-96SB	203
102	E6-FL-102SB	190	E7-FL-102SB	215

V-RETURN - VR & INVERTED V-RETURN - IVR

Belt Width	6" Roll Dia		7" Roll Dia	
	PART NUMBER	WT	PART NUMBER	WT
36	E6-VR-36SB	42	E7-VR-36SB	47
42	E6-VR-42SB	47	E7-VR-42SB	53
48	E6-VR-48SB	52	E7-VR-48SB	59
54	E6-VR-54SB	57	E7-VR-54SB	65
60	E6-VR-60SB	63	E7-VR-60SB	71
66	E6-VR-66SB	68	E7-VR-66SB	76
72	E6-VR-72SB	73	E7-VR-72SB	82
78	E6-VR-78SB	78	E7-VR-78SB	88
84	E6-VR-84SB	84	E7-VR-84SB	94
90	E6-VR-90SB	89	E7-VR-90SB	100
96	E6-VR-96SB	94	E7-VR-96SB	106
102	E6-VR-102SB	99	E7-VR-102SB	112

RUBBER DISC IDLER ROLLS

EQUAL TROUGH IMPACT - TEI

Belt Width	6" Roll Dia		7" Roll Dia	
	PART NUMBER	WT	PART NUMBER	WT
36	E6-TEI-36SB	37	E7-TEI-36SB	37
42	E6-TEI-42SB	41	E7-TEI-42SB	42
48	E6-TEI-48SB	48	E7-TEI-48SB	49
54	E6-TEI-54SB	53	E7-TEI-54SB	54
60	E6-TEI-60SB	56	E7-TEI-60SB	57
66	E6-TEI-66SB	63	E7-TEI-66SB	64
72	E6-TEI-72SB	68	E7-TEI-72SB	69
84	E6-TEI-84SB	77	E7-TEI-84SB	79
96	E6-TEI-96SB	87	E7-TEI-96SB	90

FLAT CARRIER - FRD

Belt Width	6" Roll Dia		7" Roll Dia	
	PART NUMBER	WT	PART NUMBER	WT
36	E6-FLI-36SB	98	E7-FLI-36SB	101
42	E6-FLI-42SB	112	E7-FLI-42SB	115
48	E6-FLI-48SB	126	E7-FLI-48SB	129
54	E6-FLI-54SB	139	E7-FLI-54SB	143
60	E6-FLI-60SB	153	E7-FLI-60SB	157
66	E6-FLI-66SB	167	E7-FLI-66SB	171
72	E6-FLI-72SB	180	E7-FLI-72SB	185
84	E6-FLI-84SB	208	E7-FLI-84SB	213
96	E6-FLI-96SB	235	E7-FLI-96SB	241

RETURN - RRD & RRDSA

Belt Width	6" Roll Dia		7" Roll Dia	
	PART NUMBER	WT	PART NUMBER	WT
36	E6-RI-36SB	76	E7-RI-36SB	78
42	E6-RI-42SB	86	E7-RI-42SB	88
48	E6-RI-48SB	96	E7-RI-48SB	98
54	E6-RI-54SB	106	E7-RI-54SB	107
60	E6-RI-60SB	116	E7-RI-60SB	118
66	E6-RI-66SB	126	E7-RI-66SB	128
72	E6-RI-72SB	136	E7-RI-72SB	138
84	E6-RI-84SB	159	E7-RI-84SB	161
96	E6-RI-96SB	180	E7-RI-96SB	183
102	E6-RI-102SB	188	E7-RI-102SB	190

V-RETURN - VRI & INVERTED V-RETURN - IVRI

Belt Width	6" Roll Dia		7" Roll Dia	
	PART NUMBER	WT	PART NUMBER	WT
36	E6-VRI-36SB	41	E7-VRI-36SB	42
42	E6-VRI-42SB	46	E7-VRI-42SB	48
48	E6-VRI-48SB	51	E7-VRI-48SB	52
54	E6-VRI-54SB	56	E7-VRI-54SB	58
60	E6-VRI-60SB	61	E7-VRI-60SB	62
66	E6-VRI-66SB	67	E7-VRI-66SB	68
72	E6-VRI-72SB	72	E7-VRI-72SB	74
78	E6-VRI-78SB	77	E7-VRI-78SB	78
84	E6-VRI-84SB	82	E7-VRI-84SB	84
90	E6-VRI-90SB	87	E7-VRI-90SB	88
96	E6-VRI-96SB	93	E7-VRI-96SB	94
102	E6-VRI-102SB	98	E7-VRI-102SB	100

STEEL IDLER ROLLS

20° UNEQUAL TROUGHER - TU & TUSA

Belt Width	6" Roll Dia				Belt Width	7" Roll Dia			
	CENTER ROLL #	WT	WING ROLL #	WT		CENTER ROLL #	WT	WING ROLL #	WT
36	E6-TE-66SB	50	E6-TUW-36SB	23	36	E7-TE-66SB	56	E7-TUW-36SB	25
42	E6-TE-84SB	60	E6-TUW-36SB	23	42	E7-TE-84SB	68	E7-TUW-36SB	25
48	E6-TU-48SB	71	E6-TUW-36SB	23	48	E7-TU-48SB	80	E7-TUW-36SB	25
54	E6-TU-54SB	81	E6-TUW-36SB	23	54	E7-TU-54SB	91	E7-TUW-36SB	25
60	E6-TU-60SB	91	E6-TUW-36SB	23	60	E7-TU-60SB	103	E7-TUW-36SB	25
66	E6-TU-66SB	101	E6-TUW-36SB	23	66	E7-TU-66SB	114	E7-TUW-36SB	25
72	E6-TU-72SB	111	E6-TUW-36SB	23	72	E7-TU-72SB	126	E7-TUW-36SB	25
84	E6-TU-84SB	132	E6-TUW-36SB	23	84	E7-TU-84SB	149	E7-TUW-36SB	25
96	E6-TU-96SB	152	E6-TUW-36SB	23	96	E7-TU-96SB	172	E7-TUW-36SB	25

RUBBER DISC IDLER ROLLS

20° UNEQUAL IMPACT TROUGHER - TUI & TUISA

Belt Width	6" Roll Dia				Belt Width	7" Roll Dia			
	CENTER ROLL #	WT	WING ROLL #	WT		CENTER ROLL #	WT	WING ROLL #	WT
36	E6P-TEI-66SB	63	E6P-TUIW-36SB	22	36	E7P-TEI-66SB	64	E7P-TUIW-36SB	23
42	E6P-TEI-84SB	78	E6P-TUIW-36SB	22	42	E7P-TEI-84SB	80	E7P-TUIW-36SB	23
48	E6P-TUI-48SB	92	E6P-TUIW-36SB	22	48	E7P-TUI-48SB	95	E7P-TUIW-36SB	23
54	E6P-TUI-54SB	107	E6P-TUIW-36SB	22	54	E7P-TUI-54SB	110	E7P-TUIW-36SB	23
60	E6P-TUI-60SB	122	E6P-TUIW-36SB	22	60	E7P-TUI-60SB	126	E7P-TUIW-36SB	23
66	E6P-TUI-66SB	137	E6P-TUIW-36SB	22	66	E7P-TUI-66SB	141	E7P-TUIW-36SB	23
72	E6P-TUI-72SB	150	E6P-TUIW-36SB	22	72	E7P-TUI-72SB	155	E7P-TUIW-36SB	23
84	E6P-TUI-84SB	180	E6P-TUIW-36SB	22	84	E7P-TUI-84SB	185	E7P-TUIW-36SB	23
96	E6P-TUI-96SB	212	E6P-TUIW-36SB	22	96	E7P-TUI-96SB	218	E7P-TUIW-36SB	23

STANDARD END STANDS				NON-STANDARD END STANDS - <i>CHECK FOR AVAILABILITY</i>			
DESCRIPTION	EXTENDED DESCRIPTION	PART NUMBER	WT	DESCRIPTION	EXTENDED DESCRIPTION	PART NUMBER	WT
End Stand	4.5" Height	42330	4.4	End Stand	2.5" Height	TB788	2.3
End Stand	7" Height	42332	5.6	End Stand	3" Height	34347	4.3
				End Stand	3.8" Height	34453	4.3
				End Stand	3.875" Height	42331	4.3
				End Stand	4.5" Height	TB435	4
				End Stand	8" Height	TB936	6.2

STANDARD DROP BRACKETS				NON-STANDARD DROP BRACKETS - <i>CHECK FOR AVAILABILITY</i>			
DESCRIPTION	EXTENDED DESCRIPTION	PART NUMBER	WT	DESCRIPTION	EXTENDED DESCRIPTION	PART NUMBER	WT
Drop Bracket	1.5" Drop	41211	3.3	Drop Bracket	2.25"	33589	3.5
Drop Bracket	4.5" Drop	41213	5.4	Drop Bracket	2.75"	37320	5.1
Drop Bracket	7" Drop	41210	6.5	Drop Bracket	4" - 5.5" Wide	36648	3.5
				Drop Bracket	4.5" Narrow Profile	37370	7
				Drop Bracket	4.5" L-Shape	TB991	6.9
				Drop Bracket	4.5" - 5.75" Bolt Ctr	34609	7.2
				Drop Bracket	6"	TC134	8
				Drop Bracket	6" Closed Slot Profile	33699	4.4
				Drop Bracket	7" Special Profile	TB494	8
				Drop Bracket	7" - Reinforced	41219	7.5
				Drop Bracket	7" - 0.75" Bolt Slot	40348-7.000	8.9
				Drop Bracket	7" Narrow Profile	43148	8.8
				Drop Bracket	7" - 2 Part	34410-7	17.1

E REPLACEMENT CLIP KITS		
PART NUMBER	DESCRIPTION	WT
KITE2035T	E 20/35 Degree Clip Kit TE/TU/TESA	0.76
KITE45T	E 45 Degree Clip Kit TE/TU/TESA	0.86
KITE10IVR	E 15 Degree Clip Kit IVR	0.76
KITETET	E Clip Kit TET	1.08
KITE10VR	E 10 Degree Clip Kit VR	0.56

STEEL IDLER ROLLS

EQUAL TROUGH - TE, TESA, & TET

Belt Width	6" Roll Dia		7" Roll Dia	
	PART NUMBER	WT	PART NUMBER	WT
36	E6P-TE-36SB	26	E7P-TE-36SB	30
42	E6P-TE-42SB	29	E7P-TE-42SB	33
48	E6P-TE-48SB	33	E7P-TE-48SB	37
54	E6P-TE-54SB	36	E7P-TE-54SB	41
60	E6P-TE-60SB	40	E7P-TE-60SB	44
66	E6P-TE-66SB	43	E7P-TE-66SB	47
72	E6P-TE-72SB	46	E7P-TE-72SB	50
84	E6P-TE-84SB	51	E7P-TE-84SB	57
96	E6P-TE-96SB	56	E7P-TE-96SB	64

FLAT CARRIER - F & FSA

Belt Width	6" Roll Dia		7" Roll Dia	
	PART NUMBER	WT	PART NUMBER	WT
36	E6P-FL-36SB	65	E7P-FL-36SB	74
42	E6P-FL-42SB	74	E7P-FL-42SB	84
48	E6P-FL-48SB	83	E7P-FL-48SB	93
54	E6P-FL-54SB	92	E7P-FL-54SB	103
60	E6P-FL-60SB	100	E7P-FL-60SB	113
66	E6P-FL-66SB	109	E7P-FL-66SB	123
72	E6P-FL-72SB	118	E7P-FL-72SB	133
84	E6P-FL-84SB	135	E7P-FL-84SB	152
96	E6P-FL-96SB	153	E7P-FL-96SB	172

RETURN - R & RSA

Belt Width	6" Roll Dia		7" Roll Dia	
	PART NUMBER	WT	PART NUMBER	WT
36	E6P-FL-36SB	65	E7P-FL-36SB	74
42	E6P-FL-42SB	74	E7P-FL-42SB	84
48	E6P-FL-48SB	83	E7P-FL-48SB	93
54	E6P-FL-54SB	92	E7P-FL-54SB	103
60	E6P-FL-60SB	100	E7P-FL-60SB	113
66	E6P-FL-66SB	109	E7P-FL-66SB	123
72	E6P-FL-72SB	118	E7P-FL-72SB	133
84	E6P-FL-84SB	135	E7P-FL-84SB	152
96	E6P-FL-96SB	153	E7P-FL-96SB	172
102	E6P-FL-102SB	162	E7P-FL-102SB	182

V-RETURN - VR & INVERTED V-RETURN - IVR

Belt Width	6" Roll Dia		7" Roll Dia	
	PART NUMBER	WT	PART NUMBER	WT
36	E6P-VR-36SB	36	E7P-VR-36SB	40
42	E6P-VR-42SB	40	E7P-VR-42SB	44
48	E6P-VR-48SB	45	E7P-VR-48SB	49
54	E6P-VR-54SB	49	E7P-VR-54SB	54
60	E6P-VR-60SB	54	E7P-VR-60SB	59
66	E6P-VR-66SB	58	E7P-VR-66SB	64
72	E6P-VR-72SB	63	E7P-VR-72SB	69
78	E6P-VR-78SB	67	E7P-VR-78SB	74
84	E6P-VR-84SB	72	E7P-VR-84SB	79
90	E6P-VR-90SB	73	E7P-VR-90SB	84
96	E6P-VR-96SB	80	E7P-VR-96SB	89
102	E6P-VR-102SB	86	E7P-VR-102SB	94

RUBBER DISC IDLER ROLLS

EQUAL TROUGH - TEI

Belt Width	6" Roll Dia		7" Roll Dia	
	PART NUMBER	WT	PART NUMBER	WT
36	E6P-TEI-36SB	37	E7P-TEI-36SB	37
42	E6P-TEI-42SB	41	E7P-TEI-42SB	42
48	E6P-TEI-48SB	48	E7P-TEI-48SB	49
54	E6P-TEI-54SB	53	E7P-TEI-54SB	54
60	E6P-TEI-60SB	56	E7P-TEI-60SB	57
66	E6P-TEI-66SB	63	E7P-TEI-66SB	64
72	E6P-TEI-72SB	68	E7P-TEI-72SB	69
84	E6P-TEI-84SB	77	E7P-TEI-84SB	79
96	E6P-TEI-96SB	87	E7P-TEI-96SB	90

FLAT CARRIER - FRD

Belt Width	6" Roll Dia		7" Roll Dia	
	PART NUMBER	WT	PART NUMBER	WT
36	E6P-FLI-36SB	98	E7P-FLI-36SB	101
42	E6P-FLI-42SB	112	E7P-FLI-42SB	115
48	E6P-FLI-48SB	126	E7P-FLI-48SB	129
54	E6P-FLI-54SB	139	E7P-FLI-54SB	143
60	E6P-FLI-60SB	153	E7P-FLI-60SB	157
66	E6P-FLI-66SB	167	E7P-FLI-66SB	171
72	E6P-FLI-72SB	180	E7P-FLI-72SB	185
84	E6P-FLI-84SB	208	E7P-FLI-84SB	213
96	E6P-FLI-96SB	235	E7P-FLI-96SB	241

RETURN - RRD & RRDSA

Belt Width	6" Roll Dia		7" Roll Dia	
	PART NUMBER	WT	PART NUMBER	WT
36	E6P-RI-36SB	85	E7P-RI-36SB	86
42	E6P-RI-42SB	96	E7P-RI-42SB	97
48	E6P-RI-48SB	107	E7P-RI-48SB	109
54	E6P-RI-54SB	118	E7P-RI-54SB	120
60	E6P-RI-60SB	130	E7P-RI-60SB	132
66	E6P-RI-66SB	141	E7P-RI-66SB	143
72	E6P-RI-72SB	152	E7P-RI-72SB	154
84	E6P-RI-84SB	165	E7P-RI-84SB	180
96	E6P-RI-96SB	201	E7P-RI-96SB	204
102	E6P-RI-102SB	210	E7P-RI-102SB	213

V-RETURN - VRI & INVERTED V-RETURN - IVRI

Belt Width	6" Roll Dia		7" Roll Dia	
	PART NUMBER	WT	PART NUMBER	WT
36	E6P-VRI-36SB	46	E7P-VRI-36SB	47
42	E6P-VRI-42SB	53	E7P-VRI-42SB	54
48	E6P-VRI-48SB	59	E7P-VRI-48SB	60
54	E6P-VRI-54SB	65	E7P-VRI-54SB	67
60	E6P-VRI-60SB	70	E7P-VRI-60SB	72
66	E6P-VRI-66SB	77	E7P-VRI-66SB	78
72	E6P-VRI-72SB	82	E7P-VRI-72SB	83
78	E6P-VRI-78SB	88	E7P-VRI-78SB	90
84	E6P-VRI-84SB	94	E7P-VRI-84SB	95
90	E6P-VRI-90SB	100	E7P-VRI-90SB	101
96	E6P-VRI-96SB	106	E7P-VRI-96SB	108
102	E6P-VRI-102SB	111	E7P-VRI-102SB	113

STEEL IDLER ROLLS

20° UNEQUAL TROUGHER - TU & TUSA

Belt Width	6" Roll Diameter			
	CENTER ROLL #	WT	WING ROLL #	WT
36	E6P-TE-66SB	42	E6P-TUW-36SB	18
42	E6P-TE-84SB	51	E6P-TUW-36SB	18
48	E6P-TU-48SB	59	E6P-TUW-36SB	18
54	E6P-TU-54SB	68	E6P-TUW-36SB	18
60	E6P-TU-60SB	77	E6P-TUW-36SB	18
66	E6P-TU-66SB	85	E6P-TUW-36SB	18
72	E6P-TU-72SB	94	E6P-TUW-36SB	18
84	E6P-TU-84SB	103	E6P-TUW-36SB	18
96	E6P-TU-96SB	129	E6P-TUW-36SB	18

20° UNEQUAL TROUGHER - TU & TUSA

Belt Width	7" Roll Dia			
	CENTER ROLL #	WT	WING ROLL #	WT
36	E7P-TE-66SB	47	E7P-TUW-36SB	21
42	E7P-TE-84SB	57	E7P-TUW-36SB	21
48	E7P-TU-48SB	67	E7P-TUW-36SB	21
54	E7P-TU-54SB	77	E7P-TUW-36SB	21
60	E7P-TU-60SB	86	E7P-TUW-36SB	21
66	E7P-TU-66SB	96	E7P-TUW-36SB	21
72	E7P-TU-72SB	106	E7P-TUW-36SB	21
84	E7P-TU-84SB	126	E7P-TUW-36SB	21
96	E7P-TU-96SB	145	E7P-TUW-36SB	21

RUBBER DISC IDLER ROLLS

20° UNEQUAL TROUGHER - TUI & TUISA

Belt Width	6" Roll Dia			
	CENTER ROLL #	WT	WING ROLL #	WT
36	E6P-TEI-66SB	63	E6P-TUIW-36SB	22
42	E6P-TEI-84SB	78	E6P-TUIW-36SB	22
48	E6P-TUI-48SB	92	E6P-TUIW-36SB	22
54	E6P-TUI-54SB	107	E6P-TUIW-36SB	22
60	E6P-TUI-60SB	122	E6P-TUIW-36SB	22
66	E6P-TUI-66SB	137	E6P-TUIW-36SB	22
72	E6P-TUI-72SB	150	E6P-TUIW-36SB	22
84	E6P-TUI-84SB	180	E6P-TUIW-36SB	22
96	E6P-TUI-96SB	212	E6P-TUIW-36SB	22

20° UNEQUAL TROUGHER - TUI & TUISA

Belt Width	7" Roll Dia			
	CENTER ROLL #	WT	WING ROLL #	WT
36	E7P-TEI-66SB	64	E7P-TUIW-36SB	23
42	E7P-TEI-84SB	80	E7P-TUIW-36SB	23
48	E7P-TUI-48SB	95	E7P-TUIW-36SB	23
54	E7P-TUI-54SB	110	E7P-TUIW-36SB	23
60	E7P-TUI-60SB	126	E7P-TUIW-36SB	23
66	E7P-TUI-66SB	141	E7P-TUIW-36SB	23
72	E7P-TUI-72SB	155	E7P-TUIW-36SB	23
84	E7P-TUI-84SB	185	E7P-TUIW-36SB	23
96	E7P-TUI-96SB	218	E7P-TUIW-36SB	23

CEMA E-PLUS REPLACEMENT CLIPS & BRACKETS

STANDARD END STANDS				NON-STANDARD END STANDS - <i>CHECK FOR AVAILABILITY</i>			
DESCRIPTION	EXTENDED DESCRIPTION	PART NUMBER	WT	DESCRIPTION	EXTENDED DESCRIPTION	PART NUMBER	WT
End Stand	4.5" Height	42330	4.4	End Stand	2.5" Height	TB788	2.3
End Stand	7" Height	42332	5.6	End Stand	3" Height	34347	4.3
				End Stand	3.8" Height	34453	4.3
				End Stand	3.875" Height	42331	4.3
				End Stand	4" Height	40806-4.000	3.1
				End Stand	4.5" Height	41240	4.2
				End Stand	4.5" Height	TB413	2.7
				End Stand	4.5" Height	TB435	4
				End Stand	8" Height	TB936	6.2

STANDARD DROP BRACKETS				NON-STANDARD DROP BRACKETS - <i>CHECK FOR AVAILABILITY</i>			
DESCRIPTION	EXTENDED DESCRIPTION	PART NUMBER	WT	DESCRIPTION	EXTENDED DESCRIPTION	PART NUMBER	WT
Drop Bracket	1.5" Drop	41211	3.3	Drop Bracket	1.5" Closed Slot	40439	4.5
Drop Bracket	4.5" Drop	41213	5.4	Drop Bracket	1.75"	TB001-1.750	3.8
Drop Bracket	7" Drop	41210	6.5	Drop Bracket	2.25"	33589	3.5
				Drop Bracket	2.75"	37320	5.1
				Drop Bracket	4"	36648	3.5
				Drop Bracket	4.5" 3.44" Width	37370	7
				Drop Bracket	4.5" L-Shape	TB991	6.9
				Drop Bracket	4.5" - 5.75" Bolt Ctr	34609	7.2
				Drop Bracket	6"	TC134	8
				Drop Bracket	6" Closed Slot Profile	33699	4.4
				Drop Bracket	6" - 1.438 Offset	TB504	4.6
				Drop Bracket	7" Closed Slot 2.38 OS	39349	9
				Drop Bracket	7" Special Profile	TB494	8
				Drop Bracket	7" - Reinforced	41219	7.5
				Drop Bracket	7" - 0.75" Bolt Slot	40348-7.000	8.9
				Drop Bracket	7" - 2.188 Offset	43148	8.8
				Drop Bracket	7" - 2 Part	34410-7	17.1

E REPLACEMENT CLIP KITS		
PART NUMBER	DESCRIPTION	WT
KITE2035T	E 20/35 Degree Clip Kit TE/TU/TESA	0.76
KITE45T	E 45 Degree Clip Kit TE/TU/TESA	0.86
KITE10IVR	E 15 Degree Clip Kit IVR	0.76
KITETET	E Clip Kit TET	1.08
KITE10VR	E 10 Degree Clip Kit VR	0.56

TIS, CIS REPLACEMENT IDLER ROLLS

Belt Width	CIS - D, LD		TIS - D		TIS - E	
	PART NUMBER	WT	PART NUMBER	WT	PART NUMBER	WT
30	-	-	D6-TIS-30SB	20	-	-
36	D6-TIS-30SB	20	D6-TIS-36SB	29	E7P-TIS-36SB	45
42	D6-CIS-42SB	28	D6-TIS-42SB	34	E7P-TIS-42SB	50
48	D6-TIS-42SB	34	D6-TIS-48SB	37	E7P-TIS-48SB	57
54	D6-TIS-48SB	37	D6-TIS-54SB	41	E7P-TIS-54SB	62
60	D6-CIS-60SB	43	D6-TIS-60SB	48	E7P-TIS-60SB	72
72	-	-	D6-TIS-72SB	59	E7P-TIS-72SB	82
84	-	-	-	-	E7P-TIS-84SB	97
96	-	-	-	-	E7P-TIS-96SB	106
Lift Kit	DTISKIT	44	DTISKIT	44	ETISKIT	57
Lift Roll	D6-TEI-24SB	17	D6-TEI-24SB	17	E7-TUIW-36SB	22
Lift Roll Clip	47117	0.03	47117	0.03	41320	0.17
Clip Screw	31880	0.03	31880	0.03	14571	0.02

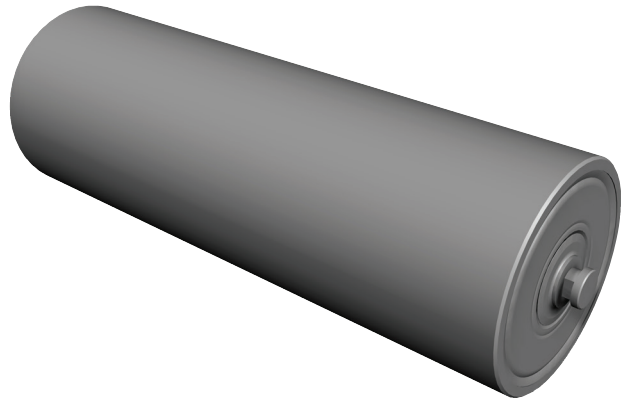
The lift kit includes two idler rolls and two brackets with necessary clips & screws to retain the lift roll in the bracket. Other items are for that part only and with a quantity of one each.

TIS, CIS REPLACEMENT PARTS

DESCRIPTION	EXTENDED DESCRIPTION	DIMENSIONS	PART NUMBER	WT
Slider Rail	1/2" thick UHMW	2 Foot Long Rail	SRAIL2	12
Slider Rail	1/2" thick UHMW	5 Foot Long Rail	SRAIL5	28
2' TIS, CIS Spring Kit	Springs, Bolts & Pins	for 2' D/E TIS & DCIS	MARSHKIT2	9
2' LDCIS Spring Kit	Springs, Bolts & Pins	for 2' LDCIS	CMARSHKIT2	7
5' TIS Spring Kit	Springs, Bolts & Pins	for 5' D/E TIS	MARSHKIT5	26
2' XETIS Spring Kit	Springs, Bolts & Pins	for 2' XE TIS	XEMARSHKIT2	10
5' XETIS Spring Kit	Springs, Bolts & Pins	for 5' XE TIS	XEMARSHKIT5	28

HEAVY DUTY IDLER ROLL WEIGHT INCREASE

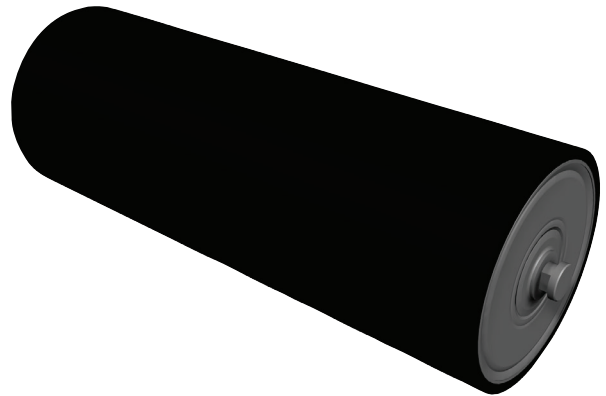
Belt Width	Equal Trougher - Roll Diameter			Returns and Flat - Roll Diameter		
	5	6	7	5	6	7
18	3	3	4	9	10	11
20	4	4	4	10	10	12
24	4	4	5	12	12	14
30	5	5	6	14	15	17
36	6	6	7	17	17	20
42	7	7	8	19	20	23
48	8	8	9	22	22	26
54	9	9	10	24	25	29
60	10	10	11	27	27	32
66	10	11	12	29	30	35
72	11	11	13	32	32	38



- Add "H" to beginning of roll part number for 1/4" can thickness. Example: D6-FL-48SB becomes HD6-FL-48SB
- Available on CEMA C, D, and E rolls
- Available for 5", 6", and 7" rolls

PLASTIC SLEEVE ROLL WEIGHT INCREASE

Belt Width	Equal Trougher - Roll Diameter				Returns & Flat - Roll Diameter			
	4	5	6	7	4	5	6	7
18	2	2	2	3	3	4	4	5
20	2	2	2	3	3	4	5	5
24	2	2	3	3	4	4	5	6
30	2	3	3	3	5	5	6	7
36	3	3	3	4	5	6	7	8
42	3	3	4	4	6	7	8	10
48	3	4	4	5	7	8	9	11
54	3	4	5	5	8	9	11	12
60	4	4	5	6	8	10	12	13
72	4	5	6	6	10	11	14	16



- Polyethylene covered rolls - 1/4" thickness
- Available for 4, 5, 6, & 7" rolls
- Add PS to roll part number for plastic sleeve
Example: D6-FL-48SB becomes D6-FL-48SBPS

RETURN IDLER ROLLS

CEMA C BEATER BAR ROLLS

Belt Width	5" Roll Dia		6" Roll Dia	
	PART NUMBER	WT	PART NUMBER	WT
18	C5-FLBR-18SB	31	C6-FLBR-18SB	33
20	C5-FLBR-20SB	34	C6-FLBR-20SB	36
24	C5-FLBR-24SB	39	C6-FLBR-24SB	41
30	C5-FLBR-30SB	47	C6-FLBR-30SB	49
36	C5-FLBR-36SB	55	C6-FLBR-36SB	57
42	C5-FLBR-42SB	63	C6-FLBR-42SB	65
48	C5-FLBR-48SB	71	C6-FLBR-48SB	73
54	C5-FLBR-54SB	79	C6-FLBR-54SB	81
60	C5-FLBR-60SB	87	C6-FLBR-60SB	89

CEMA D BEATER BAR ROLLS

Belt Width	5" Roll Dia		6" Roll Dia	
	PART NUMBER	WT	PART NUMBER	WT
18	D5-FLBR-18SB	36	D6-FLBR-18SB	38
24	D5-FLBR-24SB	45	D6-FLBR-24SB	47
30	D5-FLBR-30SB	54	D6-FLBR-30SB	56
36	D5-FLBR-36SB	64	D6-FLBR-36SB	66
42	D5-FLBR-42SB	73	D6-FLBR-42SB	75
48	D5-FLBR-48SB	82	D6-FLBR-48SB	84
54	D5-FLBR-54SB	93	D6-FLBR-54SB	95
60	D5-FLBR-60SB	102	D6-FLBR-60SB	105
72	D5-FLBR-60SB	121	D6-FLBR-60SB	124

- End clips & screws included
- Mounting brackets NOT included
- Use quantity of 2 - HD drop bracket - #14205

CEMA C RUBBER GROOVED ROLLS

Belt Width	5" Roll Dia		6" Roll Dia	
	PART NUMBER	WT	PART NUMBER	WT
18	C5-RLG-18SB	17	C6-RLG-18SB	21
20	C5-RLG-20SB	17	C6-RLG-20SB	21
24	C5-RLG-24SB	19	C6-RLG-24SB	24
30	C5-RLG-30SB	23	C6-RLG-30SB	29
36	C5-RLG-36SB	27	C6-RLG-36SB	33
42	C5-RLG-42SB	31	C6-RLG-42SB	38
48	C5-RLG-48SB	35	C6-RLG-48SB	43

CEMA D RUBBER GROOVED ROLLS

Belt Width	5" Roll Dia		6" Roll Dia	
	PART NUMBER	WT	PART NUMBER	WT
18	D5-RLG-18SB	28	D6-RLG-18SB	32
24	D5-RLG-24SB	35	D6-RLG-24SB	40
30	D5-RLG-30SB	42	D6-RLG-30SB	48
36	D5-RLG-36SB	49	D6-RLG-36SB	56
42	D5-RLG-42SB	56	D6-RLG-42SB	65
48	D5-RLG-48SB	63	D6-RLG-48SB	73
54	D5-RLG-54SB	70	D6-RLG-54SB	81

CEMA E RUBBER GROOVED ROLLS

Belt Width	6" Roll Dia		7" Roll Dia	
	PART NUMBER	WT	PART NUMBER	WT
36	E6-RLG-36SB	68	E7-RLG-36SB	79
42	E6-RLG-42SB	77	E7-RLG-42SB	89
48	E6-RLG-48SB	85	E7-RLG-48SB	99
54	E6-RLG-54SB	94	E7-RLG-54SB	109
60	E6-RLG-60SB	102	E7-RLG-60SB	119
66	E6-RLG-66SB	111	E7-RLG-66SB	129
72	E6-RLG-72SB	120	E7-RLG-72SB	140
78	E6-RLG-78SB	128	E7-RLG-78SB	150
84	E6-RLG-84SB	137	E7-RLG-84SB	160
90	E6-RLG-90SB	145	E7-RLG-90SB	170
96	E6-RLG-96SB	154	E7-RLG-96SB	180
102	E6-RLG-102SB	162	E7-RLG-102SB	190

CEMA E PLUS RUBBER GROOVED ROLLS

Belt Width	6" Roll Dia		7" Roll Dia	
	PART NUMBER	WT	PART NUMBER	WT
36	E6P-RLG-36SB	88	E7P-RLG-36SB	99
42	E6P-RLG-42SB	101	E7P-RLG-42SB	113
48	E6P-RLG-48SB	113	E7P-RLG-48SB	127
54	E6P-RLG-54SB	126	E7P-RLG-54SB	141
60	E6P-RLG-60SB	139	E7P-RLG-60SB	155
66	E6P-RLG-66SB	151	E7P-RLG-66SB	170
72	E6P-RLG-72SB	164	E7P-RLG-72SB	184
78	E6P-RLG-78SB	176	E7P-RLG-78SB	198
84	E6P-RLG-84SB	189	E7P-RLG-84SB	212
90	E6P-RLG-90SB	202	E7P-RLG-90SB	226
96	E6P-RLG-96SB	214	E7P-RLG-96SB	240
102	E6P-RLG-102SB	227	E7P-RLG-102SB	254

- End clips & screws included
- Mounting brackets NOT included
- Use quantity of 2 of the appropriate drop brackets

CEMA C GRAIN TROUGHER

Belt Width	4" Roll Dia				5" Roll Dia				6" Roll Dia			
	CENTER PART #	WT	WING PART #	WT	CENTER PART #	WT	WING PART #	WT	CENTER PART #	WT	WING PART #	WT
18	C4-TE-24SB	8	C4-TG-18SB	7	C5-TE-24SB	9	C5-TG-18SB	8	C6-TE-24SB	13	C6-TG-18SB	11
24	C4-TG-30SB	9	C4-TE-24SB	8	C5-TG-30SB	11	C5-TE-24SB	9	C6-TG-30SB	15	C6-TE-24SB	13
30	C4-TG-36SB	11	C4-TG-30SB	9	C5-TG-36SB	12	C5-TG-30SB	11	C6-TG-36SB	17	C6-TG-30SB	15
36	C4-TG-42SB	12	C4-TG-36SB	11	C5-TG-42SB	14	C5-TG-36SB	12	C6-TG-42SB	19	C6-TG-36SB	17
42	C4-TG-48SB	13	C4-TG-42SB	12	C5-TG-48SB	16	C5-TG-42SB	14	C6-TG-48SB	21	C6-TG-42SB	19
48	C4-TG-54SB	14	C4-TG-48SB	13	C5-TG-54SB	17	C5-TG-48SB	16	C6-TG-54SB	23	C6-TG-48SB	21
54	C4-TG-60SB	16	C4-TG-54SB	14	C5-TG-60SB	19	C5-TG-54SB	17	C6-TG-60SB	25	C6-TG-54SB	23
60	C4-TG-66SB	17	C4-TG-60SB	16	C5-TG-66SB	20	C5-TG-60SB	19	C6-TG-66SB	27	C6-TG-60SB	25

CEMA C GRAIN IMPACT TROUGHER

Belt Width	4" Roll Dia				5" Roll Dia				6" Roll Dia			
	CENTER PART #	WT	WING PART #	WT	CENTER PART #	WT	WING PART #	WT	CENTER PART #	WT	WING PART #	WT
18	C4-TEI-24SB	8	C4-TGI-18SB	6	C5-TEI-24SB	10	C5-TGI-18SB	8	C6-TEI-24SB	12	C6-TGI-18SB	10
24	C4-TGI-30SB	9	C4-TEI-24SB	8	C5-TGI-30SB	12	C5-TEI-24SB	10	C6-TGI-30SB	15	C6-TEI-24SB	12
30	C4-TGI-36SB	10	C4-TGI-30SB	9	C5-TGI-36SB	13	C5-TGI-30SB	12	C6-TGI-36SB	17	C6-TGI-30SB	15
36	C4-TGI-42SB	12	C4-TGI-36SB	10	C5-TGI-42SB	16	C5-TGI-36SB	13	C6-TGI-42SB	20	C6-TGI-36SB	17
42	C4-TGI-48SB	14	C4-TGI-42SB	12	C5-TGI-48SB	18	C5-TGI-42SB	16	C6-TGI-48SB	23	C6-TGI-42SB	20
48	C4-TGI-54SB	15	C4-TGI-48SB	14	C5-TGI-54SB	19	C5-TGI-48SB	18	C6-TGI-54SB	25	C6-TGI-48SB	23
54	C4-TGI-60SB	16	C4-TGI-54SB	15	C5-TGI-60SB	22	C5-TGI-54SB	19	C6-TGI-60SB	28	C6-TGI-54SB	25
60	C4-TGI-66SB	18	C4-TGI-60SB	16	C5-TGI-66SB	24	C5-TGI-60SB	22	C6-TGI-66SB	31	C6-TGI-60SB	28

CEMA D GRAIN TROUGHER

Belt Width	5" Roll Dia				6" Roll Dia			
	CENTER PART #	WT	WING PART #	WT	CENTER PART #	WT	WING PART #	WT
18	D5-TE-24SB	12	D5-TG-18SB	10	D6-TE-24SB	14	D6-TG-18SB	12
24	D5-TG-30SB	13	D5-TE-24SB	12	D6-TG-30SB	17	D6-TE-24SB	14
30	D5-TG-36SB	15	D5-TG-30SB	13	D6-TG-36SB	19	D6-TG-30SB	17
36	D5-TG-42SB	17	D5-TG-36SB	15	D6-TG-42SB	21	D6-TG-36SB	19
42	D5-TG-48SB	19	D5-TG-42SB	17	D6-TG-48SB	23	D6-TG-42SB	21
48	D5-TG-54SB	20	D5-TG-48SB	19	D6-TG-54SB	25	D6-TG-48SB	23
54	D5-TG-60SB	22	D5-TG-54SB	20	D6-TG-60SB	27	D6-TG-54SB	25
60	D5-TG-66SB	24	D5-TG-60SB	22	D6-TG-66SB	30	D6-TG-60SB	27

CEMA D GRAIN IMPACT TROUGHER

Belt Width	5" Roll Dia				6" Roll Dia			
	CENTER PART #	WT	WING PART #	WT	CENTER PART #	WT	WING PART #	WT
18	D5-TEI-24SB	15	D5-TGI-18SB	11	D6-TEI-24SB	17	D6-TGI-18SB	12
24	D5-TGI-30SB	16	D5-TEI-24SB	15	D6-TGI-30SB	19	D6-TEI-24SB	17
30	D5-TGI-36SB	19	D5-TGI-30SB	16	D6-TGI-36SB	22	D6-TGI-30SB	19
36	D5-TGI-42SB	21	D5-TGI-36SB	19	D6-TGI-42SB	25	D6-TGI-36SB	22
42	D5-TGI-48SB	24	D5-TGI-42SB	21	D6-TGI-48SB	28	D6-TGI-42SB	25
48	D5-TGI-54SB	26	D5-TGI-48SB	24	D6-TGI-54SB	31	D6-TGI-48SB	28
54	D5-TGI-60SB	29	D5-TGI-54SB	26	D6-TGI-60SB	34	D6-TGI-54SB	31
60	D5-TGI-66SB	32	D5-TGI-60SB	29	D6-TGI-66SB	38	D6-TGI-60SB	34

WIRE ROPE EQUAL TROUGHER - OFFSET

Belt Width	5" Roll Dia		6" Roll Dia	
	PART NUMBER	WT	PART NUMBER	WT
36	D5-TEWRO-36SB	16	D6-TEWRO-36SB	20
42	D5-TEWRO-42SB	18	D6-TEWRO-42SB	22
48	D5-TEWRO-48SB	20	D6-TEWRO-48SB	24
54	D5-TEWRO-54SB	21	D6-TEWRO-54SB	27
60	D5-TEWRO-60SB	23	D6-TEWRO-60SB	29

WIRE ROPE RETURNS

Belt Width	5" Roll Dia		6" Roll Dia	
	PART NUMBER	WT	PART NUMBER	WT
36	C5-FL-42SB	38	C6-FL-42SB	47
42	C5-FL-48SB	42	C6-FL-48SB	53
48	C5-FL-54SB	47	C6-FL-54SB	58
54	C5-FL-60SB	52	C6-FL-60SB	64
60	C5-FL-66SB	58	C6-FL-66SB	71

36	D5-FL-42SB	43	D6-FL-42SB	54
42	D5-FL-48SB	48	D6-FL-48SB	60
48	D5-FL-54SB	53	D6-FL-54SB	66
54	D5-FL-60SB	58	D6-FL-60SB	73
60	D5-FL-66SB	64	D6-FL-66SB	80

Catenary Type	Description	Part Number	WT
ALL	C/D Connecting Link	32370	0.12
ALL	C/D Connecting Clevis Pin	32339	0.1
ALL	C/D Connecting Cotter Ring	512120	0.01
Type A	C Threaded Chain Tensioner	30832	1.3
Type B	C/D Catenary Chain - 11.75" long	525126-11.750	0.7
Type C	C Catenary Hook	32229	1.9

GUIDE ROLLS & SELF ALIGNER PARTS

PRODUCT	DESCRIPTION	PART #	WT
GRR	2" dia x 5 length	05280	3
GRT	4" dia x 5 7/16 length	12830	4
GRF	4" dia x 5 7/16 length	12830	4
B, C, D Self Aligner Parts			
SA Assembly	Guide Roll Assembly (roll & arm)	30145	5
Reversible Bracket	Guide Roll Assembly for Reversible	32188	3.3
Slider Plate	Guide Plate for Reversible	32166	6.5
E Self Aligner Parts			
SA Assembly	Left Guide Assembly (roll & arm)	30731L	7
SA Assembly	Right Guide Assembly (roll & arm)	30731R	7
Reversing SA	Guide Roll Assembly (roll & arm)	30734	8
Guide Roll (only)	2 1/4" dia x 4 length	42590	3

CEMA C CATENARY PARTS

Belt Width	3-Roll - Individual Roll Part Numbers					
	4" ROLL PART #	WT	5" ROLL PART #	WT	6" ROLL PART #	WT
24	31328-24	8	30823-24	10	33038-24	12
30	31328-30	9	30823-30	11	33038-30	14
36	31328-36	10	30823-36	13	33038-36	16
42	31328-42	12	30823-42	14	33038-42	18
48	31328-48	13	30823-48	16	33038-48	20
54	31328-54	14	30823-54	17	33038-54	22
60	31328-60	15	30823-60	19	33038-60	24

Belt Width	5-Roll - Individual Roll Part Numbers					
	4" ROLL PART #	WT	5" ROLL PART #	WT	6" ROLL PART #	WT
24	31329-24	6	30829-24	8	33039-24	10
30	31329-30	7	30829-30	9	33039-30	11
36	31329-36	7	30829-36	10	33039-36	12
42	31329-42	8	30829-42	11	33039-42	14
48	31328-30	9	30823-30	11	33038-30	14
54	31329-54	9	30829-54	13	33039-54	15
60	31328-36	10	30823-36	13	33038-36	16

Belt Width	2-Roll - Individual Roll Part Numbers					
	4" ROLL PART #	WT	5" ROLL PART #	WT	6" ROLL PART #	WT
24	36367-24	11	36368-24	14	33037-24	19
30	31328-48	13	30823-48	16	33038-48	20
36	36367-36	15	36368-36	18	33037-36	25
42	36367-42	17	36368-42	20	33037-42	27
48	36367-48	19	36368-48	23	33037-48	30
54	36367-54	21	36368-54	25	33037-54	33
60	36367-60	22	36368-60	27	33037-60	36



www.ppi-global.com | sales@ppi-global.com

Product shown are for illustrative purposes only and may display optional accessories or components. Please contact your sales representative for more information on product specifications.
PPI respectively reserves the right to make changes in engineering, design and specifications; add improvements; or discontinue manufacturing at any time without notice obligation.
PPI, RETRO ROLLS, SSP and their respective logos are trademarks of Precision, Inc. in the US and or other countries.

Copyright ©2020 Precision Pulley & Idler, all rights reserved.