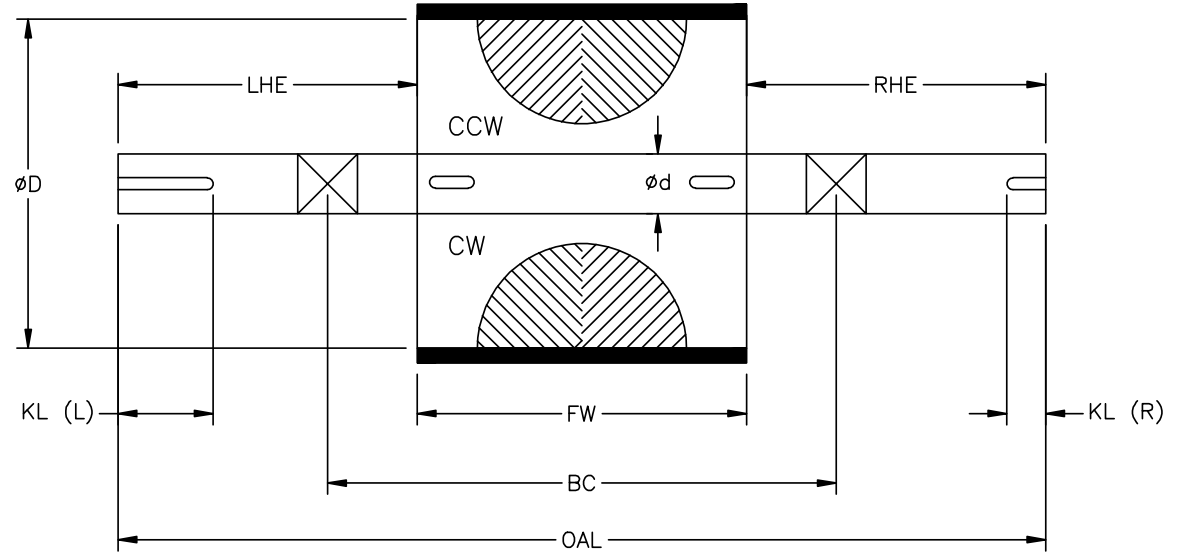


DUAL-DRIVE BACKSTOP PULLEY SHAFT DATA SHEET

PULLEY DIAMETER (D) _____
 FACE WIDTH (FW) _____
 SHAFT LENGTH (OAL) _____
 SHAFT DIAMETER (d) _____
 SHAFT JOURNAL INFORMATION _____

 RH EXTENSION (RHE) _____
 LH EXTENSION (LHE) _____
 KEYWAY LENGTH (KL) _____ LEFT _____ RIGHT
 BEARING CENTERS (BC) _____
 ROTATION CW CCW N/A
 LAGGING INFORMATION _____



COMPANY NAME _____
 LOCATION _____
 CONTACT NAME _____
 PHONE _____
 E-MAIL _____
 DATE _____

NOTES _____
