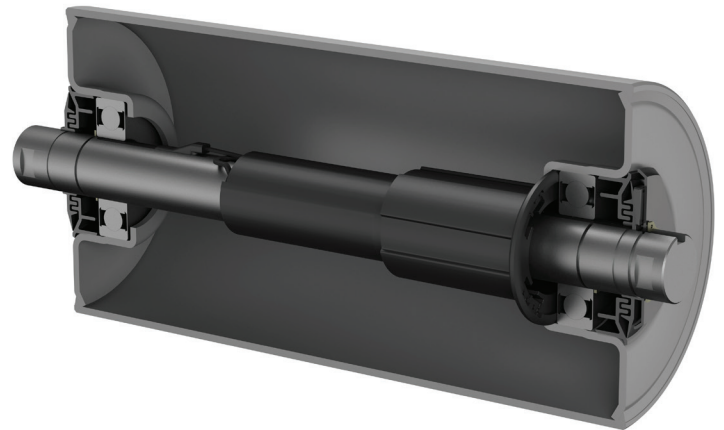


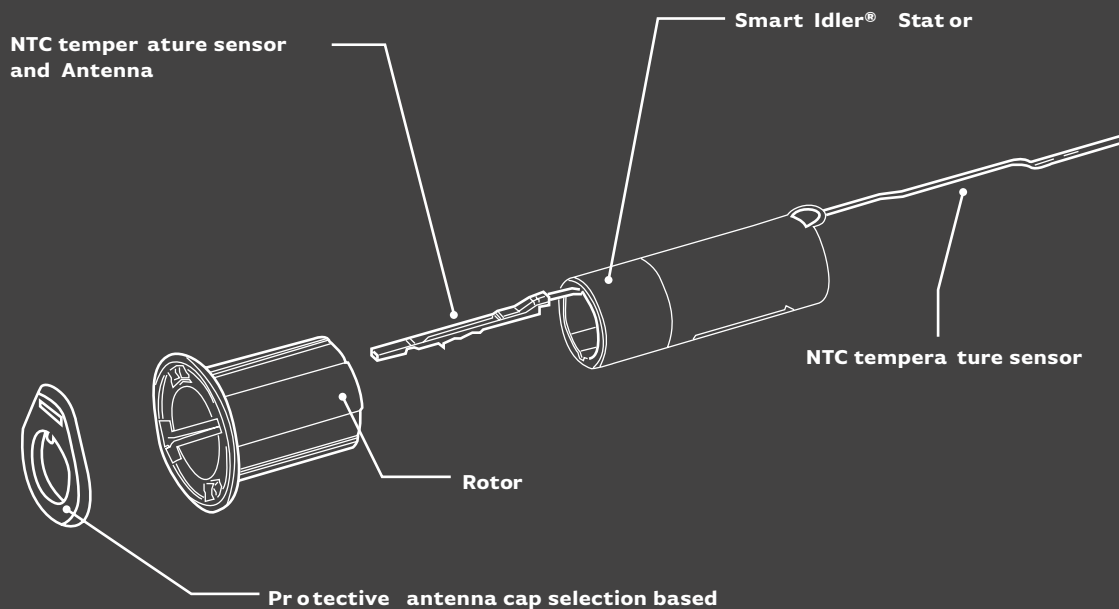
A generational shift is taking place in the conveying component industry. The bulk conveying industry can now get proven PPI Idlers equipped with Vayeron Smart-Idler technology.

## FEATURES

- Autonomous and online 24/7 monitoring
- Predictive maintenance insight
- Pre-emptive detection of idler failure
- Increased safety
- Reduced downtime
- Reduction in spares inventory
- Increased productivity
- Improved operational data



## SMART-IDLER® AND SYSTEM COMPONENTS



300 SE 14TH STREET | PELLA, IOWA 50219 | 800.247.1228 | WWW.PPI-GLOBAL.COM

Product shown are for illustrative purposes only and may display optional accessories or components. Please contact your sales representative for more information on product specifications. PPI respectively reserves the right to make changes in engineering, design and specifications; add improvements; or discontinue manufacturing at any time without notice obligation. PPI and its respective logos are trademarks of Precision, Inc. in the US and or other countries. Smart-Idler® is trademarked by Vayeron.