

RETRO ROLL DATA SHEET

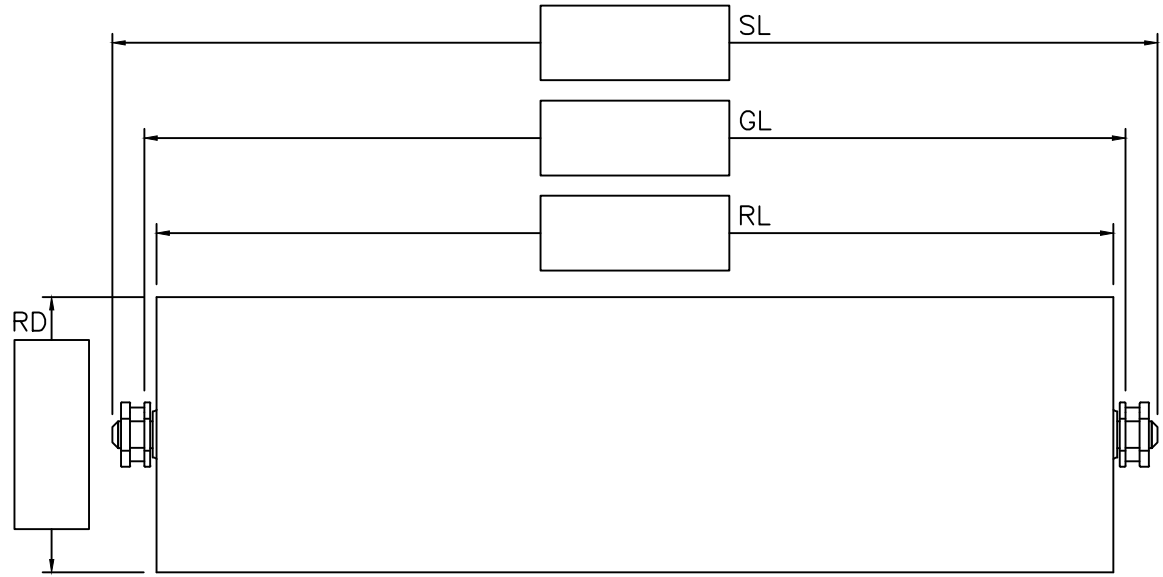
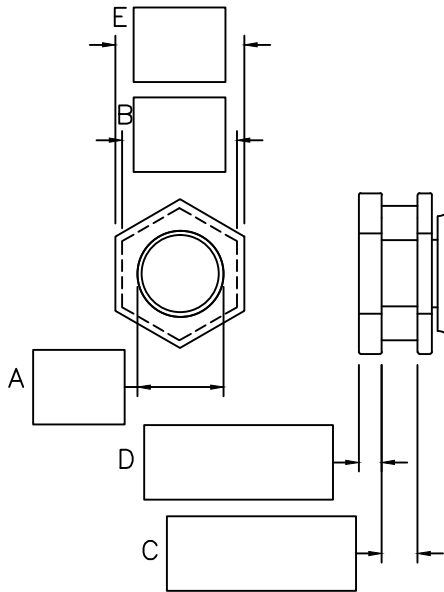
CUSTOMER _____


LOCATION _____

CONTACT _____

PHONE _____

NOTES _____



Tolerances	CEMA SERIES	DIAM.	ANGLE	TYPE	BELT WIDTH	BEARING	WEIGHT	ITEM CLASS	SCALE		
Unless Otherwise Specified Decimal .XX± .XXX± .XXXX± ANGULAR ±1°	N/A	N/A	N/A	N/A	N/A	N/A	N/A	N/A	UNK	800.247.1228 Fax 641.628.3658 www.ppi-global.com	
ASSEMBLY PART NUMBER				ITEM DESCRIPTION				Rev:	Date:	BY: EJA	DWG. NO.: BLANK FORM E
N/A				RETRO DATA SHEET: STYLE E						DATE: 3/27/08	PART NO.: N/A