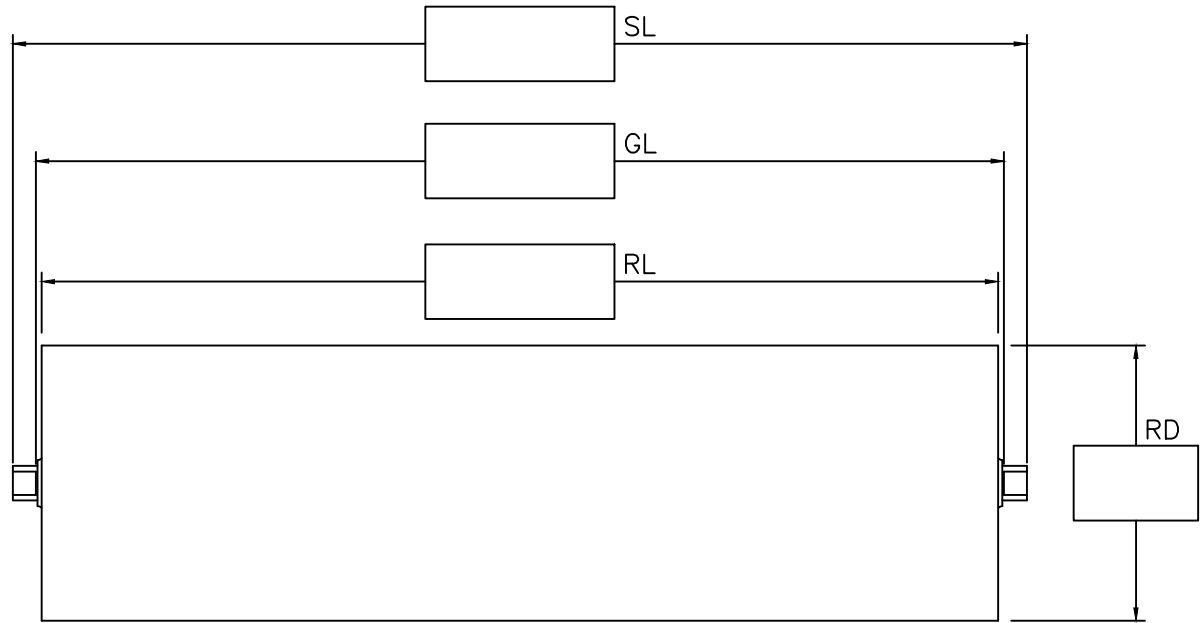
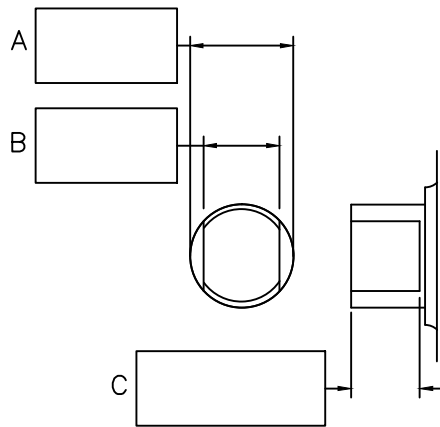


RETRO ROLL DATA SHEET



CUSTOMER _____
 LOCATION _____
 CONTACT _____
 PHONE _____
 NOTES _____

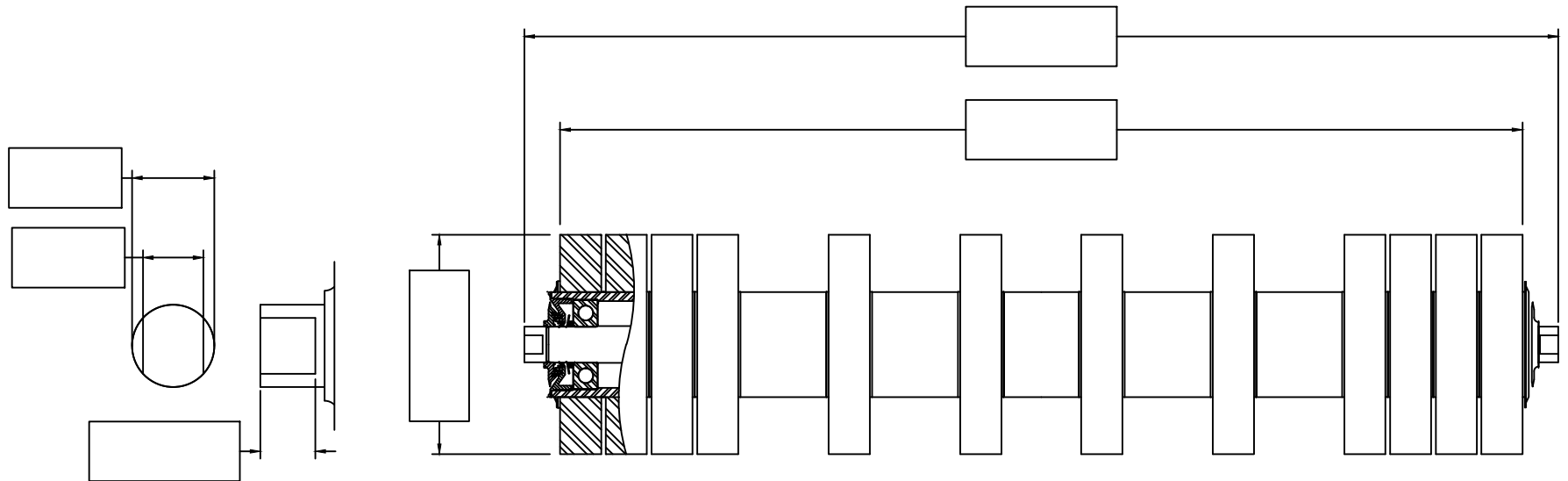


Tolerances <small>Unless Otherwise Specified</small> Decimal .XX± .XXX± .XXXX± ANGULAR ±1°	CEMA SERIES	DIAM.	ANGLE	TYPE	BELT WIDTH	BEARING	WEIGHT	ITEM CLASS	SCALE	Precision Pulley & Idler P.O. Box 287 • Pella, IA 50219 • 641-628-3115
	N/A	N/A	N/A	N/A	N/A	N/A	N/A	N/A	UNK	
	ASSEMBLY PART NUMBER		ITEM DESCRIPTION			Rev:	Date:	BY: EJA	DWG. NO.: BLANK FORM H	
ANGULAR ±1°	N/A	RETRO DATA SHEET: STYLE H					DATE: 3/27/08	PART NO.: N/A		

RETRO ROLL DATA SHEET



CUSTOMER _____
 LOCATION _____
 CONTACT _____
 PHONE _____
 NOTES _____

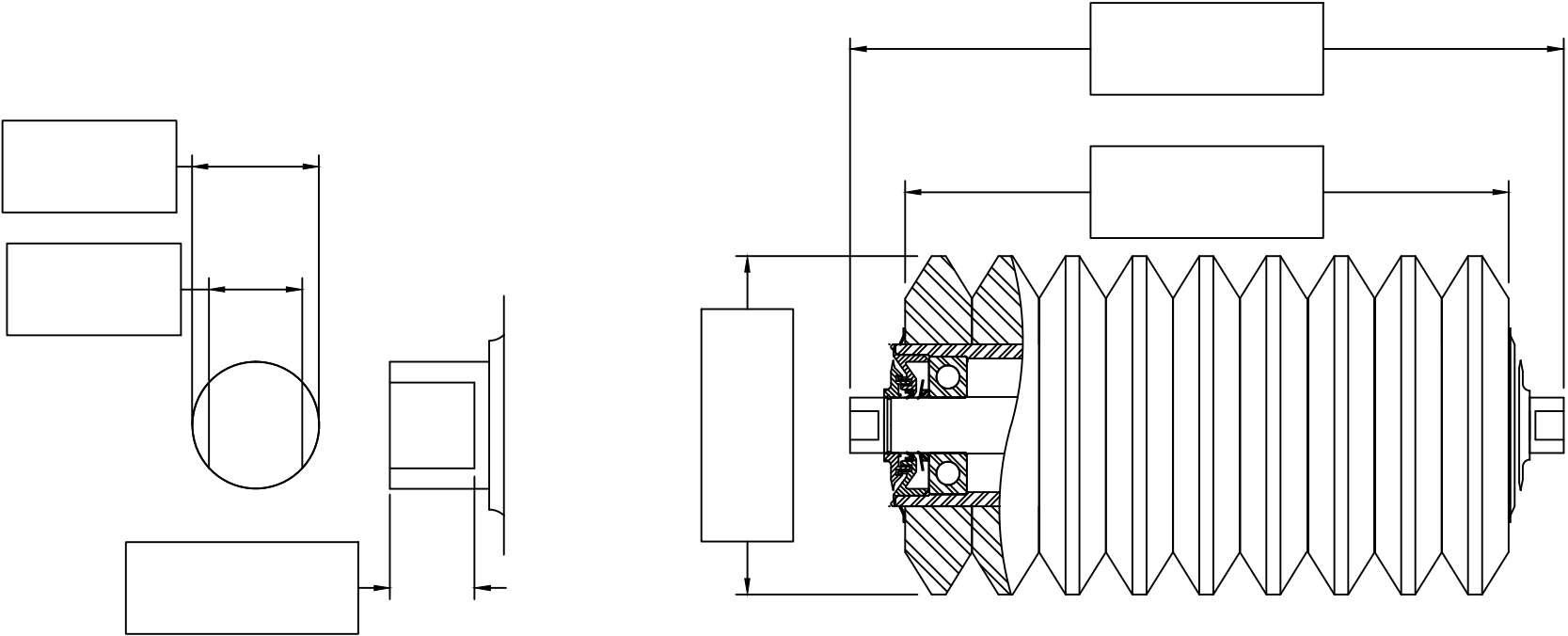


Tolerances Unless Otherwise Specified Decimal .XX± .XXX± .XXXX± ANGULAR ±1°	CEMA SERIES	DIAM.	ANGLE	TYPE	BELT WIDTH	BEARING	WEIGHT	ITEM CLASS	SCALE	P.O. Box 287 • Pella, IA 50219 • 641-628-3115	
	N/A	N/A	N/A	N/A	N/A	N/A	N/A	N/A	UNK		
ASSEMBLY PART NUMBER				ITEM DESCRIPTION				Rev:	Date:	BY: EJA	DWG. NO.: BLANK FORM H-RI
N/A				RETRO DATA SHEET: STYLE H RETURN RUBBER DISC						DATE: 2/16/10	PART NO.: N/A

RETRO ROLL DATA SHEET



CUSTOMER _____
 LOCATION _____
 CONTACT _____
 PHONE _____
 NOTES _____

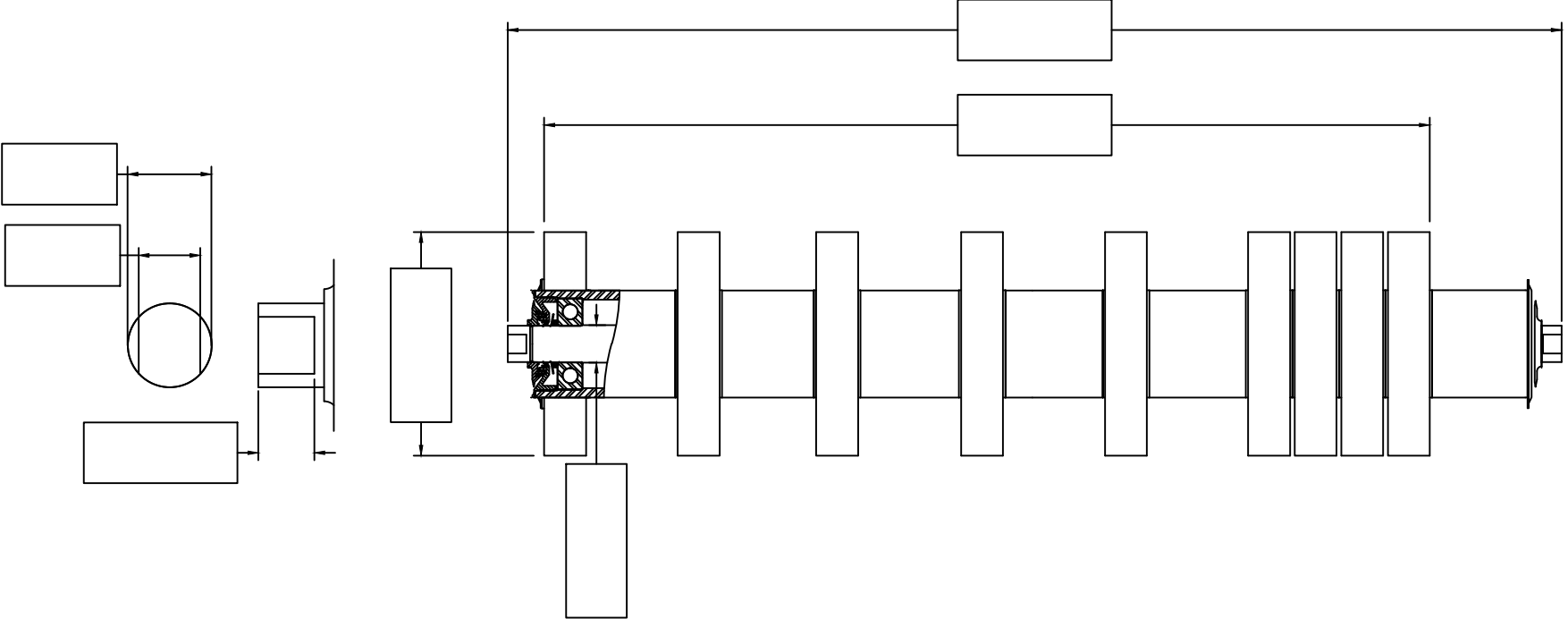


Tolerances <small>Unless Otherwise Specified</small> Decimal .XX± .XXX± .XXXX± ANGULAR ±1°	CEMA SERIES	DIAM.	ANGLE	TYPE	BELT WIDTH	BEARING	WEIGHT	ITEM CLASS	SCALE	Precision Pulley & Idler P.O. Box 287 • Pella, IA 50219 • 641-628-3115		
	N/A	N/A	N/A	N/A	N/A	N/A	N/A	N/A	UNK			
ASSEMBLY PART NUMBER				ITEM DESCRIPTION					Rev:	Date:	BY: EJA	DWG. NO.: BLANK FORM H-TEI
N/A				RETRO DATA SHEET: STYLE H TROUGHING IMPACT							DATE: 2/16/10	PART NO.: N/A

RETRO ROLL DATA SHEET



CUSTOMER _____
 LOCATION _____
 CONTACT _____
 PHONE _____
 NOTES _____



Tolerances <small>Unless Otherwise Specified</small> Decimal .XX± .XXX± .XXXX± ANGULAR ±1°	CEMA SERIES	DIAM.	ANGLE	TYPE	BELT WIDTH	BEARING	WEIGHT	ITEM CLASS	SCALE	Precision Pulley & Idler P.O. Box 287 • Pella, IA 50219 • 641-628-3115
	N/A	N/A	N/A	N/A	N/A	N/A	N/A	N/A	UNK	
ASSEMBLY PART NUMBER	ITEM DESCRIPTION			Rev:	Date:	BY: EJA	DWG. NO.: BLANK FORM H-VRI			
N/A	RETRO DATA SHEET: STYLE H V-RETURN RUBBER DISC					DATE: 2/16/10	PART NO.: N/A			