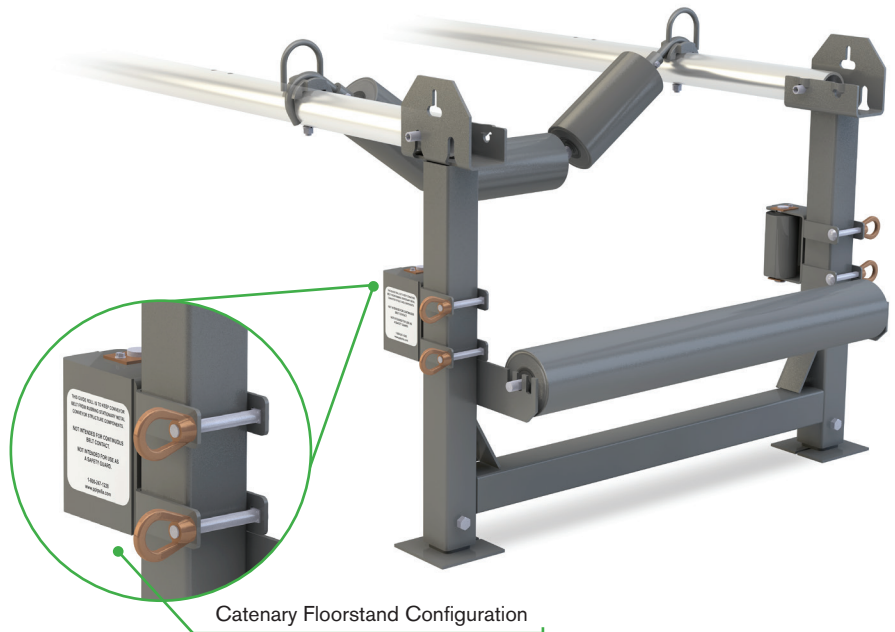
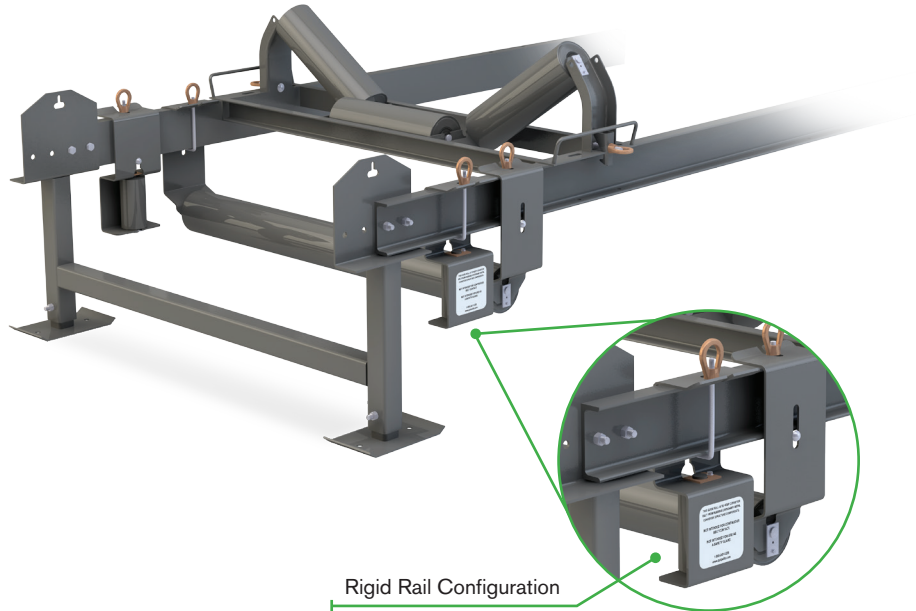


STRUCTURE GUARDS

FEATURES AND BENEFITS:

- Prevents belt contact with stationary conveyor structure
- Guide roll utilizes PPI's proven idler roll design
- Factory sealed roll promotes long roll life
- Variety of sizes to fit many c-channel and drop height configurations
- Guards also available for catenary floor stand applications
- Contact PPI for your unique specifications



CORPORATE OFFICE

PO Box 287
 Pella, IA 50219
 www.ppipella.com

800.247.1228
 641.628.3115
 fax 641.628.3658

WEST COAST

Service Center
 Sacramento, CA
 800.821.9798
 fax 916.386.0545

SOUTHWEST

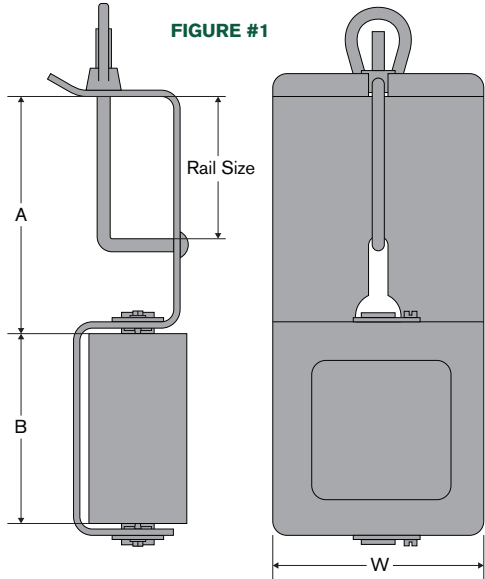
Service Center
 Arlington, TX
 800.247.1228
 fax 641.628.3658

NORTHEAST

Service Center
 Lewisberry, PA
 800.247.1228
 fax 641.628.3658

SOUTHEAST

Service Center
 Cleveland, TN
 800.247.1228
 fax 641.628.3658



SEE FIGURE #1

Part #	A	B	W	WT	Channel Size	Drop Height
34477A-10	4.84	5.44	6	13.0	3	10
34405A-12	6.84	5.44	6	14.0	3 & 4	12
34478A-04	9.22	5.44	6	14.7	8	12
34479A-04	11.22	5.44	6	15.5	10	14

34478A-04 & 34479A-04 were made for standard 4 1/2" drop brackets

SEE FIGURE #2

Structure Guard selection guide

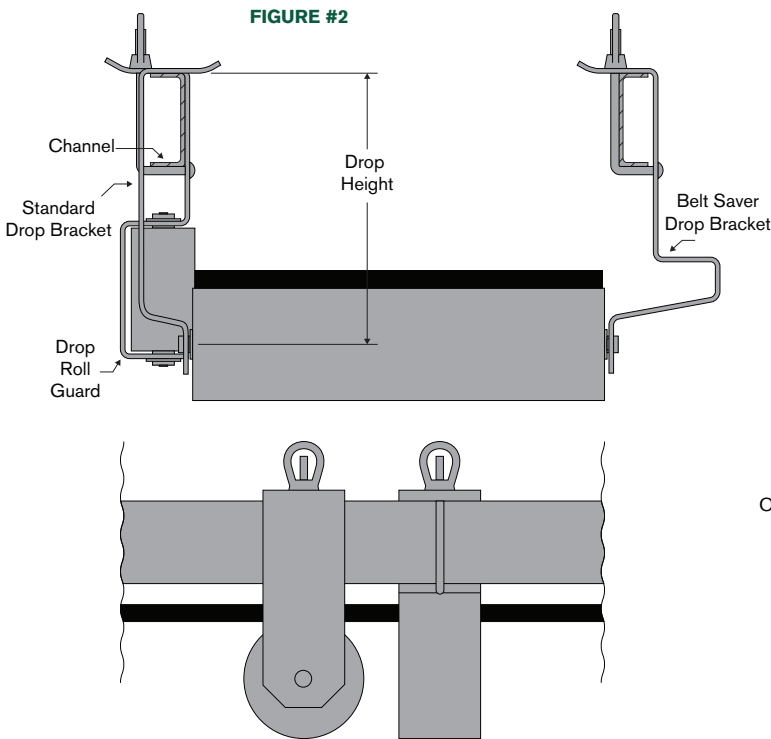
Info needed:

C-Channel Size _____

Return roll drop height _____

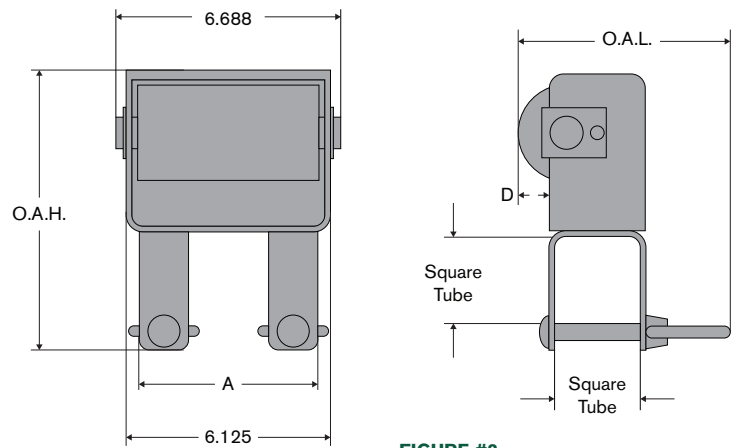
Return roll diameter _____

Contact PPI for your unique applications



SEE FIGURE #3

Part #	Square Tube	A	D	O.A.H.	O.A.L.
34355A-250	2.50"	5.38	1.08	8.36	6.32
34355A-300	3.00"	5.38	0.83	8.86	6.56
34355A-350	3.50"	4.38	0.58	9.36	6.81



CORPORATE OFFICE

PO Box 287
Pella, IA 50219
www.ppipella.com

800.247.1228
641.628.3115
fax 641.628.3658

WEST COAST

Service Center
Sacramento, CA
800.821.9798
fax 916.386.0545

SOUTHWEST

Service Center
Arlington, TX
800.247.1228
fax 641.628.3658

NORTHEAST

Service Center
Lewisberry, PA
800.247.1228
fax 641.628.3658

SOUTHEAST

Service Center
Cleveland, TN
800.247.1228
fax 641.628.3658