



OPERATION & MAINTENANCE
EZ-MOUNT
INSTALLATION INSTRUCTIONS

SECTION 1 – INSTALLATION

STEP 1: Prior to installation determine which shaft hub should be installed on each side of pulley. Shaft extensions beyond bearing and uni-directional lagging can make this critical.

STEP 2: Before installing the shaft, polish the following components:
a. Surface of shaft that will contact hub.
b. Hub face and inside diameter.

Remove all burrs and foreign material. Any particles left on the mating surfaces may cause improper installation.

STEP 3: Apply an anti-seize compound to the inside diameter of the hub only. Do not apply anti-seize or lubricants to the hub face or mating shaft flange surfaces.

STEP 4: Place shaft into pulley, being careful not to damage contact surfaces. Hub and flange holes must be aligned for bolt installation.

STEP 5: Place cap screws into drilled holes of shaft flange and hand tighten into threaded holes of hub. Grade 5 bolts and lock washers are recommended.

STEP 6: Using a torque wrench and the recommended torque from Table 1; tighten cap screws. Tightening sequence should alternate approximately 180 degrees around bolt pattern until all cap screws are at recommended torque. Do not tighten more than recommended values.

STEP 7: Install the shaft on the opposite side per steps 1 through 6.

STEP 8: After approximately 20 to 40 hours of run time, re-torque bolts per step 6. Do this only once.

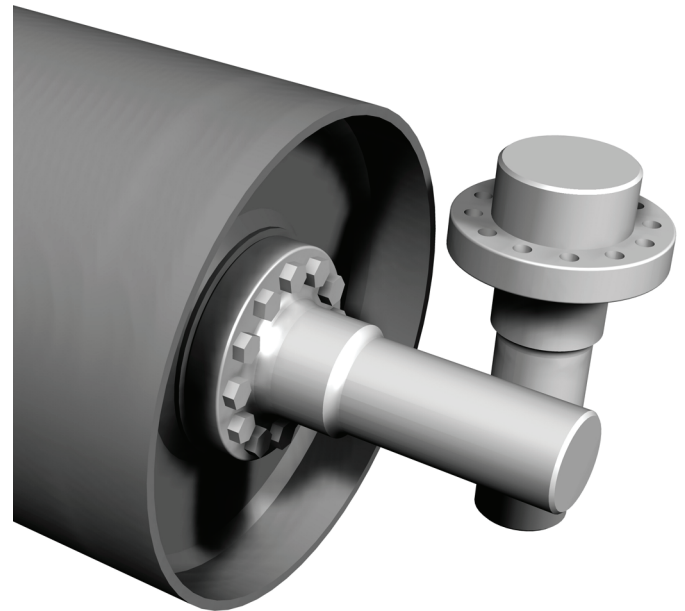


TABLE 1 – RECOMMENDED EZ CAP SCREW TORQUE

HUB	QTY	Diameter (UNRC)	Length	TORQUE (FT/LB)
EZ25	8	3/8	2	30
EZ30	12	7/16	2	50
EZ35	12	1/2	2 1/2	90
EZ40	12	9/16	2 1/2	100
EZ45	12	5/8	2 1/2	125
EZ50	12	3/4	3	200
EZ60	12	3/4	3	300
EZ70	12	7/8	3 1/2	350
EZ80	12	1	4 1/2	400
EZ100	16	1	4 1/2	400
EZ120	20	1	4 1/2	400
EZ140	24	1 1/4	6	800

SECTION 2 – REMOVAL

STEP 1: Safely support pulley and shaft stubs.

STEP 2: Remove all cap screws.

STEP 3: Shaft stubs have been designed with a clearance fit to allow shaft to be slid away from hub.

In the event shaft should become seized, three flange holes have been tapped to assist removal. Recommended bolt size for removal is listed in Table 2. It is recommended a plug be installed prior to threading removal bolt in place to protect hub threads. Removal bolt and plugs not included.

TABLE 2 – RECOMMENDED REMOVAL CAP SCREW

Hub	Size of Cap Screws	Qty	Minimum Thread Length
EZ25	9/16-12NC	3	1 3/4
EZ30	5/8-11NC	3	1 3/4
EZ35	5/8-11NC	3	2
EZ40	3/4-10NC	3	2 1/4
EZ45	7/8-9NC	3	2 1/4
EZ50	1-8NC	3	2 1/2
EZ60	1-8NC	3	3
EZ70	1 1/4-7NC	3	3 3/4
EZ80	1 1/2-6NC	3	4
EZ100	1 1/2-6NC	4	5
EZ120	1 1/2-6NC	5	6
EZ140	1 3/4-5NC	6	6

SECTION 3 – MAINTENANCE

During the first month of operation, inspect flange and cap screws for damage at least once a week and during periodic shutdowns.

**For technical help pertaining to EZ Mount installation, contact Precision Pulley & Idler at the numbers listed on this document.*



CORPORATE OFFICE • P.O. Box 287 • Pella, IA 50219
800.247.1228 • 641.628.3115 • 641.628.3658 FAX