



OPERATION & MAINTENANCE

BEARING HOUSING INSTALLATION INSTRUCTIONS

BEARING HOUSING MOUNTING INFORMATION

Each shaft shall be assembled with one held bearing and one free bearing. The held side includes a stabilizer ring shown in Figure 1 to fill the free clearance machined into the housing groove for the bearing race. The free bearing is installed with the bearing race approximately centered in the housing groove.

Housing centers are measured as shown in Figure 2. Bearing housings are a cast surface so the two measurements may be slightly different but should be within 1/16". The housings are to be installed with the housing centers per print. The X or Y dimensions shown in Figure 1 should be 3/16" +/- 1/16". Typically all pillow blocks are X + Y = 3/8".

If average housing center measurement is not print dimension +/- 1/16", we recommend verifying free bearing clearance by lifting the cap or moving free housing on mounting pad slightly be within tolerance.

BEARING SEAL ALIGNMENT

We recommend checking the gap shown in Figure 3 in 3, 6, 9, and 12 o'clock positions. Due to the contact and felt seals, it may take some force to check the feeler gage. Housing shims may be required if clearance is absent due to housing misalignment.

Care must be taken to ensure a clearance is maintained between seal carrier and shaft. Checking with feeler gage or dial indicator is recommended.

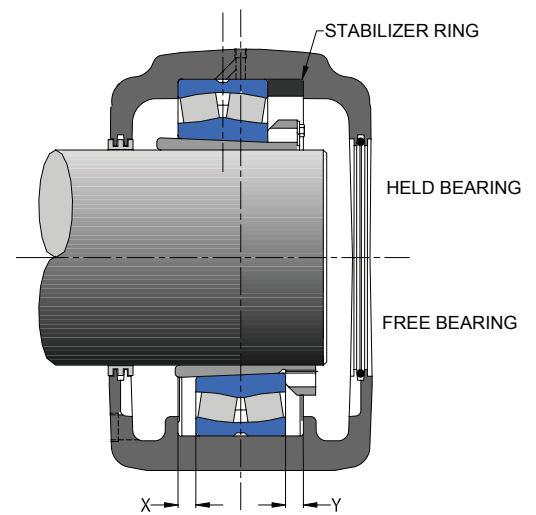


FIGURE 1

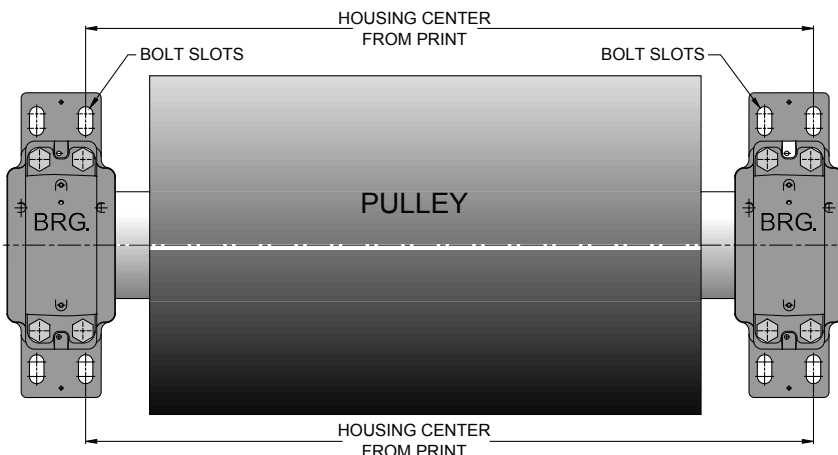


FIGURE 2

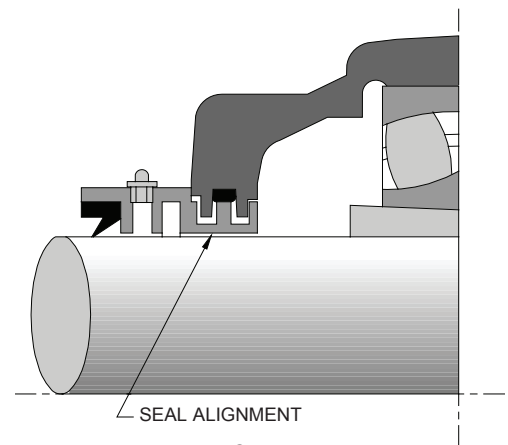


FIGURE 3



CORPORATE OFFICE • P.O. Box 287 • Pella, IA 50219
800.247.1228 • 641.628.3115 • 641.628.3658 FAX