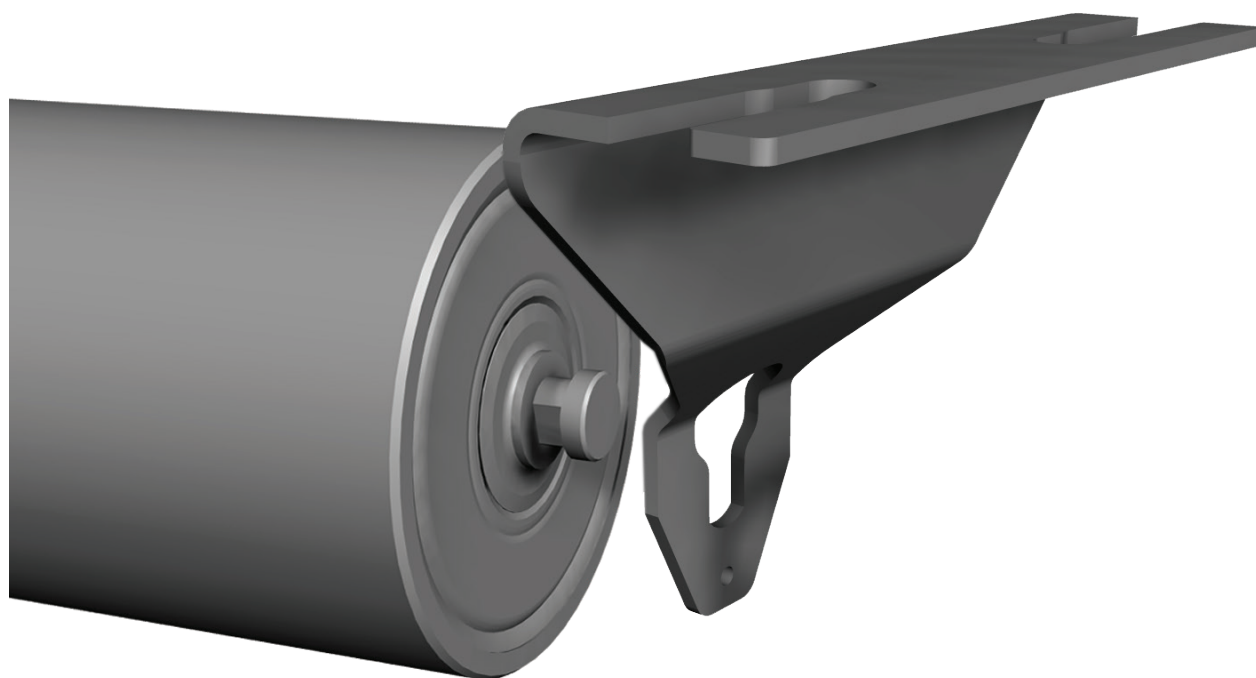


Replacement Parts

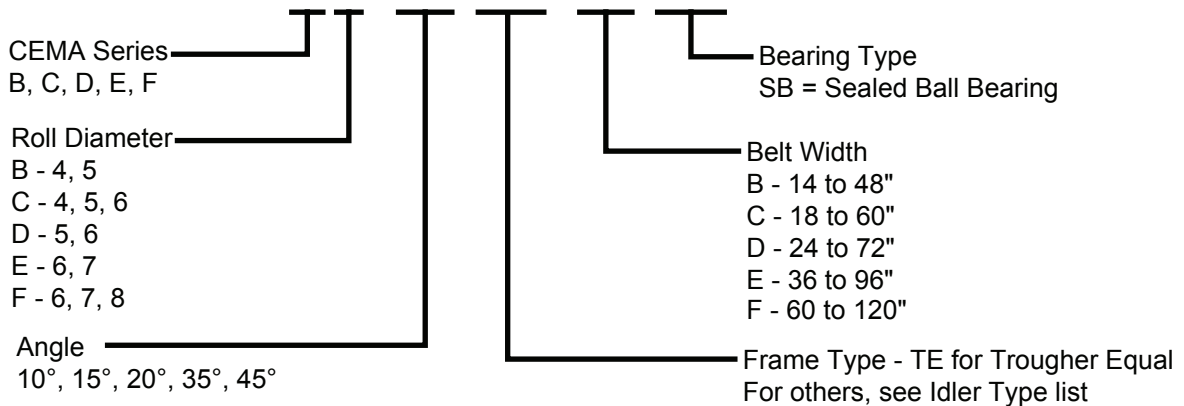
BELT CONVEYOR IDLERS



Idler Part Numbering System	4
Idler Roll Part Numbering System	5
CEMA B	
TE, TEI, TESA, F, FSA, FRD, R, RRD, RSA	6
TU, CIT, CIF, CIR, CIFRD, CIRRD	7
TUI, CITI, Clips, Std Brackets	8
CEMA C	
TE, TEI, TESA, TET, F, FSA, FRD, R, RRD, RSA, VR, VRI	9
TU, CIT, CIF, CIR, CIFRD, CIRRD	10
TUI, CITI, IVR, IVRI	11
Clips, Brackets (standard & non-standard)	14
CEMA D	
TE, TEI, TESA, TET, F, FSA, FRD, R, RRD, RSA, VR, VRI	12
TU, TUI	13
IVR, IVRI, Clips, Brackets (standard & non-standard)	14
CEMA E	
TE, TEI, TESA, F, FSA, FRD, R, RRD, RSA	15
VR, VRI, IVR, IVRI	16
TET	17
TU, TUI, Clips, Brackets	18
IMPACT SYSTEM	
TIS-D, TIS-E, Springs, Bolts, Kits	19
Specialty Idler Rolls	
1/4" can thickness & Poly Sleeve	20
Beater Bar & Rubber Grooved Return Idler Rolls	21
Wire Rope, Catenary, & Guide Rolls	
TEWRO & WRR, GRR, GRT, GRF & Self Aligner Parts	22
Grain Idler Rolls (Offset)	
TG & TGI Rolls	23

Idler Part Numbering

C5-35TE-36SB



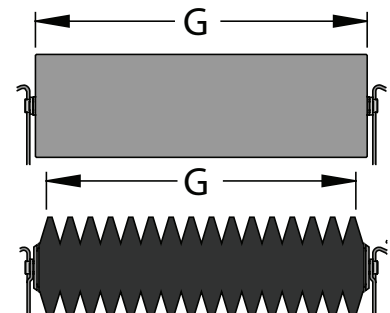
Angle does not apply to flat or standard return idlers. Certain limitations apply, such as 10 for VR, 15 for IVR, and 20, 35 & 45 for TE.

IDLER TYPE LIST

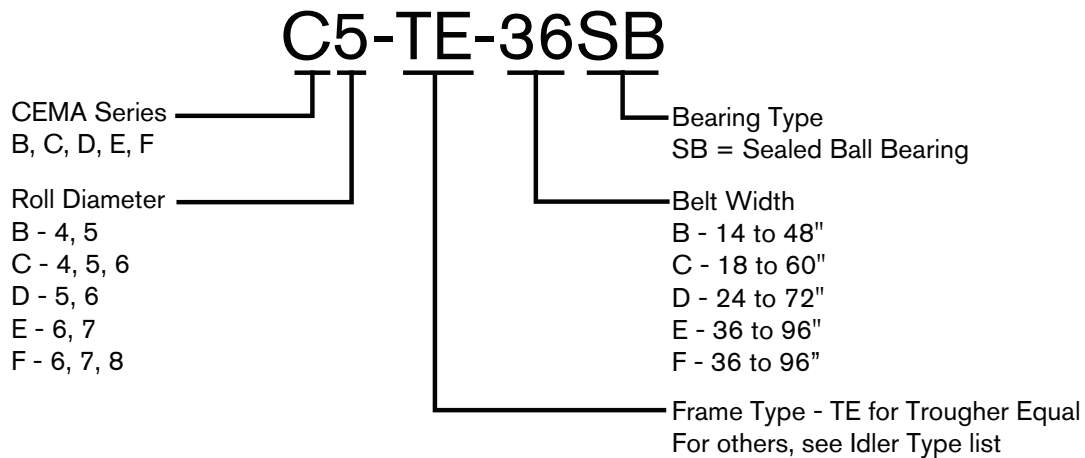
TE	Trougher Equal
TEI	Trougher Equal Impact
TESA	Trougher Equal Self Aligner
TU	Trougher Unequal
TUI	Trougher Unequal Impact
CIT	Channel Inset Trougher
CITI	Channel Inset Trougher Impact
F	Flat
FRD	Flat Rubber Disc
FSA	Flat Self-Aligner
CIF	Channel Inset Flat
CIFRD	Channel Inset Flat Rubber Disc
R	Return
RRD	Return Rubber Disc
RSA	Return Self Aligner
RRDSA	Return Rubber Disc Self Aligner
CIR	Channel Inset Return

CIRRD	Channel Inset Return Rubber Disc
VR	V-Return
VRI	V-Return Impact
IVR	Inverted V-Return
IVRI	Inverted V-Return Impact
LSI	Live Shaft Impact
LSRRD	Live Shaft Return Rubber Disc
LSR	Live Shaft Return (Steel)
TIS	Trougher Impact System
TISZ	Trougher Impact System – 2 Foot
EZI	EZSlider with Impact Rolls
TET	Trougher Equal Transition
GRT	Guide Roll Trougher
GRF	Guide Roll Flat
GRR	Guide Roll Return
SADxCSR	Smart Roll Clean Side Return

Steel rolls and rubber disc rolls have the same shaft length, and they fit the same frames. The dimension from flat to flat in the shaft (where the shaft fits in the frame) is the same! However, dimension G as listed on the Idler Engineering & Dimension catalog will be different, as illustrated to the right. Dimension G is the length of the roll as measure on the OD. A rubber disc roll will have a smaller G dimension due to the nature of the construction of the product and because the discs are tapered.



Idler Roll Part Numbering



One of the main differences between assemblies and roll part numbers is the lack of the angle for a roll only.

A B4-TE-24SB will fit a B4-35TE-24SB frame as well as B4-20TE-24SB or B4-45TE-24SB frame.

For frames without the angle, e.g. a return, the roll uses a different type designation. A return assembly will have the part number B4-R-24SB while the roll (without the brackets) will have a designation of B4-FL-24SB

SA(Self-Aligners), use the same roll as those that do not self align.

Rolls that are designated as roll only by absence of angle, which is in the assembly #

TE	Trougher Equal Roll
TEI	Trougher Equal Impact Roll
TU	Trougher Unequal Roll
TUI	Trougher Unequal Impact Roll
TIS	Trougher Impact System
TG	Trougher Grain
TGI	Trougher Grain Impact
CIT	Channel Inset Trougher Roll
CITI	Channel Inset Trougher Impact Roll
IVRI	Inverted V-Return Rubber Disc Roll
VRI	V-Return Rubber Disc Roll
VR	V-Return Roll
TEWRO	Trougher Equal WireRope Roll

Roll that have a unique Type Identifier, as there is no angle in the assembly #.

V	V-Return Roll
CITW	Channel Inset Trougher Wing Roll
CITIS	Channel Inset Special Rubber Disc Roll
CITIW	Channel Inset Rubber Disc Wing Roll
CITS	Channel Inset Special Steel Roll

In addition to unique Type Identifier, the following will include 2 endclips and 2 screws

FL	Flat, or Return Roll
FLI	Flat Rubber Disc Roll
RI	Return Rubber Disc Roll Roll
CIFL	Channel Inset Flat (or return) Roll
CIFLI	Channel Inset Flat Rubber Disc Roll
CIRI	Channel Inset Return Rubber Disc Roll
FLBR	Return Beater Roll
RLG	Return Rubber Grooved Roll

CEMA B Replacement Rolls

Steel Rolls

EQUAL TROUGHER - TE & TESA

Belt Width	4" Roll Dia		5" Roll Dia	
	Part Number	WT	Part Number	WT
14	B4-TE-14SB	4	B5-TE-14SB	5
16	B4-TE-18SB*	5	B5-TE-18SB*	6
18	B4-TE-18SB	5	B5-TE-18SB	6
20	B4-TE-20SB	5	B5-TE-20SB	7
24	B4-TE-24SB	6	B5-TE-24SB	7
30	B4-TE-30SB	7	B5-TE-30SB	9
36	B4-TE-36SB	8	B5-TE-36SB	10
42	B4-TE-42SB	9	B5-TE-42SB	12
48	B4-TE-48SB	10	B5-TE-48SB	13

FLAT CARRIER - F & FSA

Belt Width	4" Roll Dia		5" Roll Dia	
	Part Number	WT	Part Number	WT
14	B4-FL-14SB	10	B5-FL-14SB	13
16	B4-FL-16SB	11	B5-FL-16SB	14
18	B4-FL-18SB	12	B5-FL-18SB	15
20	B4-FL-20SB	13	B5-FL-20SB	17
24	B4-FL-24SB	15	B5-FL-24SB	19
30	B4-FL-30SB	18	B5-FL-30SB	23
36	B4-FL-36SB	21	B5-FL-36SB	26
42	B4-FL-42SB	24	B5-FL-42SB	30
48	B4-FL-48SB	27	B5-FL-48SB	34

RETURN - R & RSA

Belt Width	4" Roll Dia		5" Roll Dia	
	Part Number	WT	Part Number	WT
14	B4-FL-14SB	10	B5-FL-14SB	13
16	B4-FL-16SB	11	B5-FL-16SB	14
18	B4-FL-18SB	12	B5-FL-18SB	15
20	B4-FL-20SB	13	B5-FL-20SB	17
24	B4-FL-24SB	15	B5-FL-24SB	19
30	B4-FL-30SB	18	B5-FL-30SB	23
36	B4-FL-36SB	21	B5-FL-36SB	26
42	B4-FL-42SB	24	B5-FL-42SB	30
48	B4-FL-48SB	27	B5-FL-48SB	34

Rubber Disc Rolls

EQUAL TROUGHER IMPACT - TEI

Belt Width	4" Roll Dia		5" Roll Dia	
	Part Number	WT	Part Number	WT
14	B4-TEI-14SB	4	B5-TEI-14SB	6
16	B4-TEI-18SB*	5	B5-TEI-18SB*	7
18	B4-TEI-18SB	5	B5-TEI-18SB	7
20	B4-TEI-20SB	6	B5-TEI-20SB	8
24	B4-TEI-24SB	7	B5-TEI-24SB	9
30	B4-TEI-30SB	9	B5-TEI-30SB	11
36	B4-TEI-36SB	10	B5-TEI-36SB	13
42	B4-TEI-42SB	12	B5-TEI-42SB	15
48	B4-TEI-48SB	13	B5-TEI-48SB	18

FLAT CARRIER - FRD

Belt Width	4" Roll Dia		5" Roll Dia	
	Part Number	WT	Part Number	WT
14	B4-FLI-14SB	12	B5-FLI-14SB	16
16	B4-FLI-16SB	14	B5-FLI-16SB	18
18	B4-FLI-18SB	15	B5-FLI-18SB	19
20	B4-FLI-20SB	16	B5-FLI-20SB	21
24	B4-FLI-24SB	19	B5-FLI-24SB	25
30	B4-FLI-30SB	23	B5-FLI-30SB	30
36	B4-FLI-36SB	27	B5-FLI-36SB	35
42	B4-FLI-42SB	31	B5-FLI-42SB	40
48	B4-FLI-48SB	35	B5-FLI-48SB	46

RETURN - RRD & RRDSA

Belt Width	4" Roll Dia		5" Roll Dia	
	Part Number	WT	Part Number	WT
14	B4-RI-14SB	13	B5-RI-14SB	16
16	B4-RI-16SB	14	B5-RI-16SB	17
18	B4-RI-18SB	15	B5-RI-18SB	18
20	B4-RI-20SB	16	B5-RI-20SB	19
24	B4-RI-24SB	18	B5-RI-24SB	22
30	B4-RI-30SB	22	B5-RI-30SB	25
36	B4-RI-36SB	25	B5-RI-36SB	29
42	B4-RI-42SB	28	B5-RI-42SB	32
48	B4-RI-48SB	31	B5-RI-48SB	36

*The 16 inch belt width trougher uses the 18 inch trougher center roll and 14 inch trougher wing rolls.

CEMA B Replacement Rolls

Steel Rolls

20° UNEQUAL TROUGHER - TU

Belt Width	4" Roll Dia				5" Roll Dia			
	Center Roll #	WT	Wing Roll #	WT	Center Roll #	WT	Wing Roll #	WT
24	B4-TE-42SB	9	B4-TE-14SB	4	B5-TE-42SB	12	B5-TE-14SB	5
30	B4-FL-18SB	12	B4-TE-14SB	4	B5-FL-18SB	15	B5-TE-14SB	5
36	B4-FL-24SB	15	B4-TE-14SB	4	B5-FL-24SB	19	B5-TE-14SB	5
42	B4-FL-30SB	18	B4-TE-14SB	4	B5-FL-30SB	23	B5-TE-14SB	5
48	B4-FL-36SB	21	B4-TE-14SB	4	B5-FL-36SB	26	B5-TE-14SB	5

35° UNEQUAL TROUGHER - TU

Belt Width	4" Roll Dia				5" Roll Dia			
	Center Roll #	WT	Wing Roll #	WT	Center Roll #	WT	Wing Roll #	WT
24	B4-TE-36SB	8	B4-TE-18SB	5	B5-TE-36SB	10	B5-TE-18SB	5
30	B4-TE-42SB	9	B4-TE-24SB	6	B5-TE-42SB	12	B5-TE-24SB	7
36	B4-FL-18SB	12	B4-TE-24SB	6	B5-FL-18SB	15	B5-TE-24SB	7
42	B4-FL-18SB	12	B4-TE-30SB	7	B5-FL-18SB	15	B5-TE-30SB	9
48	B4-FL-24SB	15	B4-TE-30SB	7	B5-FL-24SB	19	B5-TE-30SB	9

CHANNEL INSET TROUGHER - CIT

Belt Width	4" Roll Dia				5" Roll Dia			
	Center Roll #	WT	Wing Roll #	WT	Center Roll #	WT	Wing Roll #	WT
14	B4-CIT-14SB	4	B4-CITW-14SB	4	B5-CIT-14SB	5	B5-CITW-14SB	5
16	B4-CIT-16SB	4	B4-CITW-16SB	4	B5-CIT-16SB	6	B5-CITW-16SB	5
18	B4-CIT-18SB	5	B4-CITW-18SB	4	B5-CIT-18SB	6	B5-CITW-18SB	6
20	B4-CIT-20SB	5	B4-CITW-20SB	5	B5-CIT-20SB	6	B5-CITW-20SB	6
24	B4-CIT-24SB	6	B4-CITW-24SB	5	B5-CIT-24SB	7	B5-CITW-24SB	7
30	B4-CIT-30SB	7	B4-CITW-30SB	6	B5-CIT-30SB	8	B5-CITW-30SB	8
36	B4-CIT-36SB	8	B4-CITW-36SB	7	B5-CIT-36SB	10	B5-CITW-36SB	9
42	B4-CIFL-16SB	11	B4-CITW-36SB	7	B5-CIFL-16SB	11	B5-CITW-36SB	9
48	B4-CITS-48SB	14	B4-CITW-36SB	7	B5-CITS-48SB	17	B5-CITW-36SB	9

Steel Rolls

CHANNEL INSET FLAT, RETURN (CIF & CIR)

Belt Width	4" Roll Dia		5" Roll Dia	
	Part Number	WT	Part Number	WT
14	B4CIT48/CIF14SB	10	B5CIT48/CIF14SB	12
16	B4-CIFL-16SB	11	B5-CIFL-16SB	14
18	B4-CIFL-18SB	12	B5-CIFL-18SB	15
20	B4-CIFL-20SB	13	B5-CIFL-20SB	16
24	B4-CIFL-24SB	15	B5-CIFL-24SB	18
30	B4-CIFL-30SB	18	B5-CIFL-30SB	22
36	B4-CIFL-36SB	21	B5-CIFL-36SB	26
42	B4-CIFL-42SB	24	B5-CIFL-42SB	30
48	B4-CIFL-48SB	27	B5-CIFL-48SB	33

Rubber Disc Rolls

CHANNEL INSET FLAT (CIFRD)

Belt Width	4" Roll Dia		5" Roll Dia	
	Part Number	WT	Part Number	WT
14	B4-CIFLI-14SB	12	B5-CIFLI-14SB	16
16	B4-CIFLI-16SB	13	B5-CIFLI-16SB	17
18	B4-CIFLI-18SB	15	B5-CIFLI-18SB	19
20	B4-CIFLI-20SB	16	B5-CIFLI-20SB	21
24	B4-CIFLI-24SB	19	B5-CIFLI-24SB	24
30	B4-CIFLI-30SB	23	B5-CIFLI-30SB	29
36	B4-CIFLI-36SB	27	B5-CIFLI-36SB	35
42	B4-CIFLI-42SB	31	B5-CIFLI-42SB	40
48	B4-CIFLI-48SB	35	B5-CIFLI-48SB	45

CHANNEL INSET RETURN (CIRRD)

Belt Width	4" Roll Dia		5" Roll Dia	
	Part Number	WT	Part Number	WT
14	B4-CIRI-14SB	12	B5-CIRI-14SB	15
16	B4-CIRI-16SB	14	B5-CIRI-16SB	17
18	B4-CIRI-18SB	15	B5-CIRI-18SB	18
20	B4-CIRI-20SB	16	B5-CIRI-20SB	19
24	B4-CIRI-24SB	18	B5-CIRI-24SB	21
30	B4-CIRI-30SB	21	B5-CIRI-30SB	25
36	B4-CIRI-36SB	24	B5-CIRI-36SB	29
42	B4-CIRI-42SB	28	B5-CIRI-42SB	32
48	B4-CIRI-48SB	31	B5-CIRI-48SB	36

CEMA B Replacement Rolls & Parts

Rubber Disc Rolls

20° UNEQUAL IMPACT TROUGHER - TUI

Belt Width	4" Roll Dia				5" Roll Dia			
	Center Roll #	WT	Wing Roll #	WT	Center Roll #	WT	Wing Roll #	WT
24	B4-TEI-42SB	12	B4-TEI-14SB	4	B5-TEI-42SB	15	B5-TEI-14SB	6
30	B4-FLI-18SB	15	B4-TEI-14SB	4	B5-FLI-18SB	19	B5-TEI-14SB	6
36	B4-FLI-24SB	19	B4-TEI-14SB	4	B5-FLI-24SB	25	B5-TEI-14SB	6
42	B4-FLI-30SB	23	B4-TEI-14SB	4	B5-FLI-30SB	30	B5-TEI-14SB	6
48	B4-FLI-36SB	27	B4-TEI-14SB	4	B5-FLI-36SB	35	B5-TEI-14SB	6

35° UNEQUAL IMPACT TROUGHER - TUI

Belt Width	4" Roll Dia				5" Roll Dia			
	Center Roll #	WT	Wing Roll #	WT	Center Roll #	WT	Wing Roll #	WT
24	B4-TEI-36SB	10	B4-TEI-18SB	5	B5-TEI-36SB	13	B5-TEI-18SB	7
30	B4-TEI-42SB	12	B4-TEI-24SB	6	B5-TEI-42SB	15	B5-TEI-24SB	9
36	B4-FLI-18SB	15	B4-TEI-24SB	6	B5-FLI-18SB	19	B5-TEI-24SB	9
42	B4-FLI-18SB	15	B4-TEI-30SB	7	B5-FLI-18SB	19	B5-TEI-30SB	11
48	B4-FLI-24SB	19	B4-TEI-30SB	7	B5-FLI-24SB	25	B5-TEI-30SB	11

CHANNEL INSET IMPACT TROUGHER - CITI

Belt Width	4" Roll Dia				5" Roll Dia			
	Center Roll #	WT	Wing Roll #	WT	Center Roll #	WT	Wing Roll #	WT
14	B4-CITI-14SB	4	B4-CITI-14SB	4	B5-CITI-14SB	5	B5-CITI-14SB	5
16	B4-CITI-16SB	5	B4-CITI-16SB	5	B5-CITI-16SB	6	B5-CITI-16SB	6
18	B4-CITI-18SB	5	B4-CITI-18SB	5	B5-CITI-18SB	7	B5-CITI-18SB	7
20	B4-CITI-20SB	6	B4-CITI-20SB	6	B5-CITI-20SB	7	B5-CITI-20SB	7
24	B4-CITI-24SB	6	B4-CITI-24SB	6	B5-CITI-24SB	8	B5-CITI-24SB	8
30	B4-CITI-30SB	8	B4-CITI-30SB	8	B5-CITI-30SB	11	B5-CITI-30SB	11
36	B4-CITI-36SB	10	B4-CITI-36SB	10	B5-CITI-36SB	13	B5-CITI-36SB	13
42	B4-CIFLI-16SB	13	B4-CITI-36SB	10	B5-CIFLI-16SB	17	B5-CITI-36SB	13
48	B4-CITIS-48SB	17	B4-CITI-36SB	10	B5-CITIS-48SB	22	B5-CITI-36SB	13

Clips

Description	Extended Description	Part Number	WT
B End Clip	Troughers & Returns	31800	0.03
B End Clip Screw	#12 x 3/8" self tapping	31880	0.03
B 20° Clip	Center Clip	33063	0.03
B 35° Clip	Center Clip	33064	0.04
B 45° Clip	Center Clip	02147	0.07

Standard Brackets

Description	Extended Description	Part Number	WT
End Stand	4 1/2" Height	01990	1.9
End Stand	1 1/2" Height	15001	1
Drop Bracket	4 1/2" Drop	14200	1.9
Drop Bracket	1 1/2" Drop	02200	0.9
BeltSaver II	4 1/2" Drop	14207	4
Channel Inset	4" Web Mount	30640	2
Channel Inset	2" Drop	24390	1.3

For Non-Standard Brackets see page 14

CEMA C Replacement Rolls

Steel Rolls

EQUAL TROUGHER - TE, TESA, & TET

Belt Width	4" Roll Dia		5" Roll Dia		6" Roll Dia	
	Part Number	WT	Part Number	WT	Part Number	WT
18	C4-TE-18SB	7	C5-TE-18SB	8	C6-TE-18SB	10
20	C4-TE-20SB	7	C5-TE-20SB	8	C6-TE-20SB	11
24	C4-TE-24SB	8	C5-TE-24SB	9	C6-TE-24SB	13
30	C4-TE-30SB	9	C5-TE-30SB	11	C6-TE-30SB	15
36	C4-TE-36SB	11	C5-TE-36SB	12	C6-TE-36SB	17
42	C4-TE-42SB	12	C5-TE-42SB	14	C6-TE-42SB	19
48	C4-TE-48SB	13	C5-TE-48SB	16	C6-TE-48SB	21
54	C4-TE-54SB	15	C5-TE-54SB	17	C6-TE-54SB	23
60	C4-TE-60SB	16	C5-TE-60SB	19	C6-TE-60SB	25

FLAT CARRIER - F & FSA

Belt Width	4" Roll Dia		5" Roll Dia		6" Roll Dia	
	Part Number	WT	Part Number	WT	Part Number	WT
18	C4-FL-18SB	16	C5-FL-18SB	19	C6-FL-18SB	24
20	C4-FL-20SB	17	C5-FL-20SB	21	C6-FL-20SB	26
24	C4-FL-24SB	20	C5-FL-24SB	24	C6-FL-24SB	30
30	C4-FL-30SB	23	C5-FL-30SB	29	C6-FL-30SB	33
36	C4-FL-36SB	27	C5-FL-36SB	33	C6-FL-36SB	41
42	C4-FL-42SB	31	C5-FL-42SB	38	C6-FL-42SB	47
48	C4-FL-48SB	35	C5-FL-48SB	42	C6-FL-48SB	53
54	C4-FL-54SB	39	C5-FL-54SB	47	C6-FL-54SB	58
60	C4-FL-60SB	43	C5-FL-60SB	52	C6-FL-60SB	64

RETURN - R & RSA

Belt Width	4" Roll Dia		5" Roll Dia		6" Roll Dia	
	Part Number	WT	Part Number	WT	Part Number	WT
18	C4-FL-18SB	16	C5-FL-18SB	19	C6-FL-18SB	24
20	C4-FL-20SB	17	C5-FL-20SB	21	C6-FL-20SB	26
24	C4-FL-24SB	20	C5-FL-24SB	24	C6-FL-24SB	30
30	C4-FL-30SB	23	C5-FL-30SB	29	C6-FL-30SB	33
36	C4-FL-36SB	27	C5-FL-36SB	33	C6-FL-36SB	41
42	C4-FL-42SB	31	C5-FL-42SB	38	C6-FL-42SB	47
48	C4-FL-48SB	35	C5-FL-48SB	42	C6-FL-48SB	53
54	C4-FL-54SB	39	C5-FL-54SB	47	C6-FL-54SB	58
60	C4-FL-60SB	43	C5-FL-60SB	52	C6-FL-60SB	64

V-RETURN - VR

Belt Width	4" Roll Dia		5" Roll Dia		6" Roll Dia	
	Part Number	WT	Part Number	WT	Part Number	WT
24	C4-V-24SB	10	C5-V-24SB	14	C6-V-24SB	18
30	C4-V-30SB	12	C5-V-30SB	16	C6-V-30SB	20
36	C4-TE-54SB	14	C5-TE-54SB	17	C6-TE-54SB	23
42	C4-V-42SB	16	C5-V-42SB	21	C6-V-42SB	26
48	C4-V-48SB	18	C5-V-48SB	23	C6-V-48SB	29
54	C4-V-54SB	20	C5-V-54SB	25	C6-V-54SB	31
60	C4-V-60SB	22	C5-V-60SB	28	C6-V-60SB	32

Rubber Disc Rolls

EQUAL TROUGHER IMPACT - TEI

Belt Width	4" Roll Dia		5" Roll Dia		6" Roll Dia	
	Part Number	WT	Part Number	WT	Part Number	WT
18	C4-TEI-18SB	6	C5-TEI-18SB	8	C6-TEI-18SB	9
20	C4-TEI-20SB	7	C5-TEI-20SB	9	C6-TEI-20SB	11
24	C4-TEI-24SB	8	C5-TEI-24SB	10	C6-TEI-24SB	12
30	C4-TEI-30SB	9	C5-TEI-30SB	12	C6-TEI-30SB	15
36	C4-TEI-36SB	11	C5-TEI-36SB	14	C6-TEI-36SB	17
42	C4-TEI-42SB	12	C5-TEI-42SB	16	C6-TEI-42SB	20
48	C4-TEI-48SB	14	C5-TEI-48SB	18	C6-TEI-48SB	23
54	C4-TEI-54SB	15	C5-TEI-54SB	20	C6-TEI-54SB	27
60	C4-TEI-60SB	17	C5-TEI-60SB	23	C6-TEI-60SB	29

FLAT CARRIER - FRD

Belt Width	4" Roll Dia		5" Roll Dia		6" Roll Dia	
	Part Number	WT	Part Number	WT	Part Number	WT
18	C4-FLI-18SB	20	C5-FLI-18SB	25	C6-FLI-18SB	30
20	C4-FLI-20SB	21	C5-FLI-20SB	27	C6-FLI-20SB	33
24	C4-FLI-24SB	25	C5-FLI-24SB	31	C6-FLI-24SB	38
30	C4-FLI-30SB	30	C5-FLI-30SB	38	C6-FLI-30SB	46
36	C4-FLI-36SB	35	C5-FLI-36SB	44	C6-FLI-36SB	54
42	C4-FLI-42SB	41	C5-FLI-42SB	51	C6-FLI-42SB	62
48	C4-FLI-48SB	46	C5-FLI-48SB	58	C6-FLI-48SB	70
54	C4-FLI-54SB	52	C5-FLI-54SB	64	C6-FLI-54SB	78
60	C4-FLI-60SB	57	C5-FLI-60SB	71	C6-FLI-60SB	87

RETURN - RRD & RRDSA

Belt Width	4" Roll Dia		5" Roll Dia		6" Roll Dia	
	Part Number	WT	Part Number	WT	Part Number	WT
18	C4-RI-18SB	15	C5-RI-18SB	18	C6-RI-18SB	23
20	C4-RI-20SB	16	C5-RI-20SB	19	C6-RI-20SB	23
24	C4-RI-24SB	18	C5-RI-24SB	22	C6-RI-24SB	26
30	C4-RI-30SB	21	C5-RI-30SB	25	C6-RI-30SB	30
36	C4-RI-36SB	24	C5-RI-36SB	28	C6-RI-36SB	34
42	C4-RI-42SB	27	C5-RI-42SB	31	C6-RI-42SB	37
48	C4-RI-48SB	30	C5-RI-48SB	34	C6-RI-48SB	41
54	C4-RI-54SB	33	C5-RI-54SB	38	C6-RI-54SB	45
60	C4-RI-60SB	35	C5-RI-60SB	41	C6-RI-60SB	48

V-RETURN - VRI

Belt Width	4" Roll Dia		5" Roll Dia		6" Roll Dia	
	Part Number	WT	Part Number	WT	Part Number	WT
24	-	-	C5-VRI-24SB	12	C6-VRI-24SB	14
30	-	-	C5-VRI-30SB	14	C6-VRI-30SB	17
36	-	-	C5-VRI-36SB	15	C6-VRI-36SB	18
42	-	-	C5-VRI-42SB	17	C6-VRI-42SB	21
48	-	-	C5-VRI-48SB	18	C6-VRI-48SB	22
54	-	-	C5-VRI-54SB	20	C6-VRI-54SB	24
60	-	-	C5-VRI-60SB	23	C6-VRI-60SB	27

CEMA C Replacement Rolls

Steel Rolls

20° UNEQUAL TROUGHER - TU

Belt Width	4" Roll Dia				5" Roll Dia				6" Roll Dia			
	Center Roll #	WT	Wing Roll #	WT	Center Roll #	WT	Wing Roll #	WT	Center Roll #	WT	Wing Roll #	WT
24	C4-TE-42SB	12	C4-TE-14SB	6	C5-TE-42SB	14	C5-TE-14SB	7	C6-TE-42SB	19	C6-TE-14SB	9
30	C4-FL-18SB	16	C4-TE-14SB	6	C5-FL-18SB	19	C5-TE-14SB	7	C6-FL-18SB	24	C6-TE-14SB	9
36	C4-FL-24SB	20	C4-TE-14SB	6	C5-FL-24SB	24	C5-TE-14SB	7	C6-FL-24SB	30	C6-TE-14SB	9
42	C4-FL-30SB	23	C4-TE-14SB	6	C5-FL-30SB	29	C5-TE-14SB	7	C6-FL-30SB	33	C6-TE-14SB	9
48	C4-FL-36SB	27	C4-TE-14SB	6	C5-FL-36SB	33	C5-TE-14SB	7	C6-FL-36SB	41	C6-TE-14SB	9
54	C4-FL-42SB	31	C4-TE-14SB	6	C5-FL-42SB	38	C5-TE-14SB	7	C6-FL-42SB	47	C6-TE-14SB	9
60	C4-FL-48SB	35	C4-TE-14SB	6	C5-FL-48SB	42	C5-TE-14SB	7	C6-FL-48SB	53	C6-TE-14SB	9

35° UNEQUAL TROUGHER - TU

Belt Width	4" Roll Dia				5" Roll Dia				6" Roll Dia			
	Center Roll #	WT	Wing Roll #	WT	Center Roll #	WT	Wing Roll #	WT	Center Roll #	WT	Wing Roll #	WT
24	C4-TE-36SB	11	C4-TE-18SB	7	C5-TE-36SB	12	C5-TE-18SB	8	C6-TE-36SB	17	C6-TE-18SB	10
30	C4-TE-42SB	12	C4-TE-24SB	8	C5-TE-42SB	14	C5-TE-24SB	9	C6-TE-42SB	19	C6-TE-24SB	13
36	C4-TE-54SB	15	C4-TE-24SB	8	C5-TE-54SB	17	C5-TE-24SB	9	C6-TE-54SB	23	C6-TE-24SB	13
42	C4-FL-18SB	16	C4-TE-30SB	9	C5-FL-18SB	19	C5-TE-30SB	11	C6-FL-18SB	24	C6-TE-30SB	15
48	C4-FL-24SB	20	C4-TE-30SB	9	C5-FL-24SB	24	C5-TE-30SB	11	C6-FL-24SB	30	C6-TE-30SB	15
54	C4-FL-30SB	23	C4-TE-30SB	9	C5-FL-30SB	29	C5-TE-30SB	11	C6-FL-30SB	33	C6-TE-30SB	15
60	C4-FL-36SB	27	C4-TE-30SB	9	C5-FL-36SB	33	C5-TE-30SB	11	C6-FL-36SB	41	C6-TE-30SB	15

CHANNEL INSET TROUGHER - CIT

Belt Width	4" Roll Dia				5" Roll Dia				6" Roll Dia			
	Center Roll #	WT	Wing Roll #	WT	Center Roll #	WT	Wing Roll #	WT	Center Roll #	WT	Wing Roll #	WT
18	C4-CIT-18SB	6	C4-CITW-18SB	6	C5-CIT-18SB	8	C5-CITW-18SB	7	-	-	-	-
20	C4-CIT-20SB	7	C4-CITW-20SB	6	C5-CIT-20SB	9	C5-CITW-20SB	8	-	-	-	-
24	C4-CIT-24SB	8	C4-CITW-24SB	7	C5-CIT-24SB	10	C5-CITW-24SB	9	-	-	-	-
30	C4-CIT-30SB	9	C4-CITW-30SB	8	C5-CIT-30SB	11	C5-CITW-30SB	10	-	-	-	-
36	C4-CIT-36SB	10	C4-CITW-36SB	10	C5-CIT-36SB	13	C5-CITW-36SB	12	-	-	-	-
42	C4-CIT-54SB	14	C4-CITW-36SB	10	C5-CIT-54SB	17	C5-CITW-36SB	12	-	-	-	-
48	C4-CITS-48SB	18	C4-CITW-36SB	10	C5-CITS-48SB	22	C5-CITW-36SB	12	-	-	-	-
54	C4-CITS-54SB	22	C4-CITW-36SB	10	C5-CITS-54SB	26	C5-CITW-36SB	12	-	-	-	-
60	C4-CITS-60SB	25	C4-CITW-36SB	10	C5-CITS-60SB	31	C5-CITW-36SB	12	-	-	-	-

Steel Rolls

CHANNEL INSET FLAT, RETURN (CIF & CIR)

Belt Width	4" Roll Dia		5" Roll Dia	
	Part Number	WT	Part Number	WT
18	C4CIT60/CIF18SB	15	C5CIT60/CIF18SB	19
20	C4-CIFL-20SB	17	C5-CIFL-20SB	20
24	C4-CIFL-24SB	19	C5-CIFL-24SB	23
30	C4-CIFL-30SB	23	C5-CIFL-30SB	28
36	C4-CIFL-36SB	27	C5-CIFL-36SB	33
42	C4-CIFL-42SB	31	C5-CIFL-42SB	37
48	C4-CIFL-48SB	34	C5-CIFL-48SB	42
54	C4-CIFL-54SB	38	C5-CIFL-54SB	46
60	C4-CIFL-60SB	42	C5-CIFL-60SB	51

Rubber Disc Rolls

CHANNEL INSET FLAT (CIFRD)

Belt Width	4" Roll Dia		5" Roll Dia	
	Part Number	WT	Part Number	WT
18	C4-CIFLI-18SB	19	C5-CIFLI-18SB	24
20	C4-CIFLI-20SB	21	C5-CIFLI-20SB	27
24	C4-CIFLI-24SB	24	C5-CIFLI-24SB	31
30	C4-CIFLI-30SB	30	C5-CIFLI-30SB	37
36	C4-CIFLI-36SB	35	C5-CIFLI-36SB	44
42	C4-CIFLI-42SB	40	C5-CIFLI-42SB	50
48	C4-CIFLI-48SB	46	C5-CIFLI-48SB	57
54	C4-CIFLI-54SB	51	C5-CIFLI-54SB	63
60	C4-CIFLI-60SB	56	C5-CIFLI-60SB	70

CHANNEL INSET RETURN (CIRRD)

Belt Width	4" Roll Dia		5" Roll Dia	
	Part Number	WT	Part Number	WT
18	C4-CIRI-18SB	15	C5-CIRI-18SB	18
20	C4-CIRI-20SB	16	C5-CIRI-20SB	19
24	C4-CIRI-24SB	18	C5-CIRI-24SB	21
30	C4-CIRI-30SB	21	C5-CIRI-30SB	24
36	C4-CIRI-36SB	24	C5-CIRI-36SB	28
42	C4-CIRI-42SB	26	C5-CIRI-42SB	31
48	C4-CIRI-48SB	29	C5-CIRI-48SB	34
54	C4-CIRI-54SB	32	C5-CIRI-54SB	37
60	C4-CIRI-60SB	35	C5-CIRI-60SB	41

CEMA C Replacement Rolls

Rubber Disc Rolls

20° UNEQUAL IMPACT TROUGH - TUI

Belt Width	4" Roll Dia				5" Roll Dia				6" Roll Dia			
	Center Roll #	WT	Wing Roll #	WT	Center Roll #	WT	Wing Roll #	WT	Center Roll #	WT	Wing Roll #	WT
24	C4-TEI-42SB	12	C4-TEI-14SB	5	C5-TEI-42SB	16	C5-TEI-14SB	6	C6-TEI-42SB	20	C6-TEI-14SB	8
30	C4-FLI-18SB	20	C4-TEI-14SB	5	C5-FLI-18SB	25	C5-TEI-14SB	6	C6-FLI-18SB	30	C6-TEI-14SB	8
36	C4-FLI-24SB	25	C4-TEI-14SB	5	C5-FLI-24SB	31	C5-TEI-14SB	6	C6-FLI-24SB	38	C6-TEI-14SB	8
42	C4-FLI-30SB	30	C4-TEI-14SB	5	C5-FLI-30SB	38	C5-TEI-14SB	6	C6-FLI-30SB	46	C6-TEI-14SB	8
48	C4-FLI-36SB	35	C4-TEI-14SB	5	C5-FLI-36SB	44	C5-TEI-14SB	6	C6-FLI-36SB	54	C6-TEI-14SB	8
54	C4-FLI-42SB	41	C4-TEI-14SB	5	C5-FLI-42SB	51	C5-TEI-14SB	6	C6-FLI-42SB	62	C6-TEI-14SB	8
60	C4-FLI-48SB	46	C4-TEI-14SB	5	C5-FLI-48SB	58	C5-TEI-14SB	6	C6-FLI-48SB	70	C6-TEI-14SB	8

35° UNEQUAL IMPACT TROUGH - TUI

Belt Width	4" Roll Dia				5" Roll Dia				6" Roll Dia			
	Center Roll #	WT	Wing Roll #	WT	Center Roll #	WT	Wing Roll #	WT	Center Roll #	WT	Wing Roll #	WT
24	C4-TEI-36SB	10	C4-TEI-18SB	5	C5-TEI-36SB	14	C5-TEI-18SB	8	C6-TEI-36SB	17	C6-TEI-18SB	9
30	C4-TEI-42SB	12	C4-TEI-24SB	7	C5-TEI-42SB	16	C5-TEI-24SB	10	C6-TEI-42SB	20	C6-TEI-24SB	12
36	C4-TEI-54SB	15	C4-TEI-24SB	7	C5-TEI-54SB	20	C5-TEI-24SB	10	C6-TEI-54SB	27	C6-TEI-24SB	12
42	C4-FLI-18SB	30	C4-TEI-30SB	9	C5-FLI-18SB	25	C5-TEI-30SB	12	C6-FLI-18SB	30	C6-TEI-30SB	15
48	C4-FLI-24SB	25	C4-TEI-30SB	9	C5-FLI-24SB	31	C5-TEI-30SB	12	C6-FLI-24SB	38	C6-TEI-30SB	15
54	C4-FLI-30SB	30	C4-TEI-30SB	9	C5-FLI-30SB	38	C5-TEI-30SB	12	C6-FLI-30SB	46	C6-TEI-30SB	15
60	C4-FLI-36SB	35	C4-TEI-30SB	9	C5-FLI-36SB	44	C5-TEI-30SB	12	C6-FLI-36SB	54	C6-TEI-30SB	15

CHANNEL INSET IMPACT TROUGH - CITI

Belt Width	4" Roll Dia				5" Roll Dia				6" Roll Dia			
	Center Roll #	WT	Wing Roll #	WT	Center Roll #	WT	Wing Roll #	WT	Center Roll #	WT	Wing Roll #	WT
18	C4-CITI-18SB	6	C4-CITIW-18SB	5	C5-CITI-18SB	7	C5-CITIW-18SB	6	-	-	-	-
20	C4-CITI-20SB	6	C4-CITIW-20SB	5	C5-CITI-20SB	8	C5-CITIW-20SB	7	-	-	-	-
24	C4-CITI-24SB	7	C4-CITIW-24SB	7	C5-CITI-24SB	9	C5-CITIW-24SB	9	-	-	-	-
30	C4-CITI-30SB	9	C4-CITIW-30SB	8	C5-CITI-30SB	11	C5-CITIW-30SB	10	-	-	-	-
36	C4-CITI-36SB	10	C4-CITIW-36SB	10	C5-CITI-36SB	13	C5-CITIW-36SB	12	-	-	-	-
42	C4-CITI-54SB	14	C4-CITIW-36SB	10	C5-CITI-54SB	19	C5-CITIW-36SB	12	-	-	-	-
48	C4-CITIS-48SB	22	C4-CITIW-36SB	10	C5-CITIS-48SB	28	C5-CITIW-36SB	12	-	-	-	-
54	C4-CITIS-54SB	28	C4-CITIW-36SB	10	C5-CITIS-54SB	35	C5-CITIW-36SB	12	-	-	-	-
60	C4-CITIS-60SB	33	C4-CITIW-36SB	10	C5-CITIS-60SB	41	C5-CITIW-36SB	12	-	-	-	-

Steel Rolls

INVERTED V-RETURN - IVR

Belt Width	4" Roll Dia		5" Roll Dia		6" Roll Dia	
	Part Number	WT	Part Number	WT	Part Number	WT
18	C4-TE-24SB	7	C5-TE-24SB	9	C6-TE-24SB	13
24	C4-TE-30SB	9	C5-TE-30SB	11	C6-TE-30SB	15
30	C4-TE-42SB	12	C5-TE-42SB	14	C6-TE-42SB	19
36	C4-TE-48SB	13	C5-TE-48SB	16	C6-TE-48SB	21
42	C4-TE-60SB	16	C5-TE-60SB	19	C6-TE-60SB	25
48	C4-CITS-48SB	17	C5-CITS-48SB	22	C6-CITS-48SB	27
54	C4-FL-24SB	19	C5-FL-24SB	24	C6-FL-24SB	30
60	C4-CITS-54SB	21	C5-CITS-54SB	26	C6-CITS-54SB	33

Rubber Disc Rolls

INVERTED V-RETURN - IVRI

Belt Width	4" Roll Dia		5" Roll Dia		6" Roll Dia	
	Part Number	WT	Part Number	WT	Part Number	WT
18	C4-TEI-24SB	7	C5-TEI-24SB	10	C6-TEI-24SB	12
24	C4-TEI-30SB	9	C5-TEI-30SB	12	C6-TEI-30SB	15
30	C4-TEI-42SB	12	C5-TEI-42SB	16	C6-TEI-42SB	20
36	C4-TEI-48SB	13	C5-TEI-48SB	18	C6-TEI-48SB	23
42	C4-TEI-60SB	17	C5-TEI-60SB	23	C6-TEI-60SB	29
48	C4-CITIS-48SB	22	C5-CITIS-48SB	28	C6-CITIS-48SB	35
54	C4-FLI-24SB	15	C5-FLI-24SB	31	C6-FLI-24SB	38
60	C4-CITIS-54SB	28	C5-CITIS-54SB	35	C6-CITIS-54SB	42

CEMA D Replacement Rolls

Steel Rolls

EQUAL TROUGHER - TE, TESA, TET

Belt Width	5" Roll Dia		6" Roll Dia	
	Part Number	WT	Part Number	WT
24	D5-TE-24SB	11	D6-TE-24SB	14
30	D5-TE-30SB	13	D6-TE-30SB	17
36	D5-TE-36SB	15	D6-TE-36SB	19
42	D5-TE-42SB	17	D6-TE-42SB	21
48	D5-TE-48SB	19	D6-TE-48SB	24
54	D5-TE-54SB	21	D6-TE-54SB	26
60	D5-TE-60SB	22	D6-TE-60SB	28
72	D5-TE-72SB	26	D6-TE-72SB	33

FLAT CARRIER - F & FSA

Belt Width	5" Roll Dia		6" Roll Dia	
	Part Number	WT	Part Number	WT
24	D5-FL-24SB	27	D6-FL-24SB	34
30	D5-FL-30SB	33	D6-FL-30SB	41
36	D5-FL-36SB	38	D6-FL-36SB	47
42	D5-FL-42SB	43	D6-FL-42SB	54
48	D5-FL-48SB	48	D6-FL-48SB	60
54	D5-FL-54SB	53	D6-FL-54SB	66
60	D5-FL-60SB	58	D6-FL-60SB	73
72	D5-FL-72SB	69	D6-FL-72SB	86

RETURN - R & RSA

Belt Width	5" Roll Dia		6" Roll Dia	
	Part Number	WT	Part Number	WT
24	D5-FL-24SB	27	D6-FL-24SB	34
30	D5-FL-30SB	33	D6-FL-30SB	41
36	D5-FL-36SB	38	D6-FL-36SB	47
42	D5-FL-42SB	43	D6-FL-42SB	54
48	D5-FL-48SB	48	D6-FL-48SB	60
54	D5-FL-54SB	53	D6-FL-54SB	66
60	D5-FL-60SB	58	D6-FL-60SB	73
72	D5-FL-72SB	69	D6-FL-72SB	86

V-RETURN - VR

Belt Width	5" Roll Dia		6" Roll Dia	
	Part Number	WT	Part Number	WT
24	D5-V-24SB	16	D6-V-24SB	19
30	D5-V-30SB	18	D6-V-30SB	23
36	D5-TE-54SB	21	D6-TE-54SB	26
42	D5-V-42SB	23	D6-V-42SB	29
48	D5-V-48SB	26	D6-V-48SB	33
54	D5-V-54SB	29	D6-V-54SB	36
60	D5-V-60SB	31	D6-V-60SB	39
72	D5-V-72SB	36	D6-V-72SB	46

Rubber Disc Rolls

EQUAL TROUGHER IMPACT - TEI

Belt Width	5" Roll Dia		6" Roll Dia	
	Part Number	WT	Part Number	WT
24	D5-TEI-24SB	15	D6-TEI-24SB	17
30	D5-TEI-30SB	18	D6-TEI-30SB	21
36	D5-TEI-36SB	20	D6-TEI-36SB	23
42	D5-TEI-42SB	23	D6-TEI-42SB	27
48	D5-TEI-48SB	26	D6-TEI-48SB	30
54	D5-TEI-54SB	29	D6-TEI-54SB	34
60	D5-TEI-60SB	32	D6-TEI-60SB	37
72	D5-TEI-72SB	38	D6-TEI-72SB	44

FLAT CARRIER - FRD

Belt Width	5" Roll Dia		6" Roll Dia	
	Part Number	WT	Part Number	WT
24	D5-FLI-24SB	37	D6-FLI-24SB	42
30	D5-FLI-30SB	44	D6-FLI-30SB	51
36	D5-FLI-36SB	52	D6-FLI-36SB	59
42	D5-FLI-42SB	59	D6-FLI-42SB	68
48	D5-FLI-48SB	66	D6-FLI-48SB	76
54	D5-FLI-54SB	74	D6-FLI-54SB	85
60	D5-FLI-60SB	81	D6-FLI-60SB	93
72	D5-FLI-72SB	96	D6-FLI-72SB	111

RETURN - RRD & RRDSA

Belt Width	5" Roll Dia		6" Roll Dia	
	Part Number	WT	Part Number	WT
24	D5-RI-24SB	35	D6-RI-24SB	39
30	D5-RI-30SB	41	D6-RI-30SB	46
36	D5-RI-36SB	47	D6-RI-36SB	52
42	D5-RI-42SB	53	D6-RI-42SB	59
48	D5-RI-48SB	59	D6-RI-48SB	65
54	D5-RI-54SB	65	D6-RI-54SB	72
60	D5-RI-60SB	71	D6-RI-60SB	78
72	D5-RI-72SB	84	D6-RI-72SB	91

V-RETURN - VRI

Belt Width	5" Roll Dia		6" Roll Dia	
	Part Number	WT	Part Number	WT
24	D5-VRI-24SB	17	D6-VRI-24SB	19
30	D5-VRI-30SB	20	D6-VRI-30SB	23
36	D5-VRI-36SB	22	D6-VRI-36SB	25
42	D5-VRI-42SB	24	D6-VRI-42SB	27
48	D5-VRI-48SB	26	D6-VRI-48SB	29
54	D5-VRI-54SB	29	D6-VRI-54SB	32
60	D5-VRI-60SB	31	D6-VRI-60SB	35
72	D5-VRI-72SB	39	D6-VRI-72SB	43

CEMA D Replacement Rolls

Steel Rolls

20° UNEQUAL TROUGHER - TU

Belt Width	5" Roll Dia				6" Roll Dia			
	Center Roll #	WT	Wing Roll #	WT	Center Roll #	WT	Wing Roll #	WT
24	D5-TE-42SB	17	D5-TE-14SB	8	D6-TE-42SB	21	D6-TE-14SB	10
30	D5-FL-18SB	22	D5-TE-14SB	8	D6-FL-18SB	26	D6-TE-14SB	10
36	D5-FL-24SB	27	D5-TE-14SB	8	D6-FL-24SB	34	D6-TE-14SB	10
42	D5-FL-30SB	33	D5-TE-14SB	8	D6-FL-30SB	41	D6-TE-14SB	10
48	D5-FL-36SB	38	D5-TE-14SB	8	D6-FL-36SB	47	D6-TE-14SB	10
54	D5-FL-42SB	43	D5-TE-14SB	8	D6-FL-42SB	54	D6-TE-14SB	10
60	D5-FL-48SB	48	D5-TE-14SB	8	D6-FL-48SB	60	D6-TE-14SB	10
72	D5-FL-60SB	58	D5-TE-14SB	8	D6-FL-60SB	73	D6-TE-14SB	10

35° UNEQUAL TROUGHER - TU

Belt Width	5" Roll Dia				6" Roll Dia			
	Center Roll #	WT	Wing Roll #	WT	Center Roll #	WT	Wing Roll #	WT
24	D5-TE-36SB	15	D5-TE-18SB	9	D6-TE-36SB	19	D6-TE-18SB	11
30	D5-TE-42SB	17	D5-TE-24SB	11	D6-TE-42SB	21	D6-TE-24SB	14
36	D5-TE-54SB	21	D5-TE-24SB	11	D6-TE-54SB	26	D6-TE-24SB	14
42	D5-FL-18SB	22	D5-TE-30SB	13	D6-FL-18SB	26	D6-TE-30SB	17
48	D5-FL-24SB	27	D5-TE-30SB	13	D6-FL-24SB	34	D6-TE-30SB	17
54	D5-FL-30SB	33	D5-TE-30SB	13	D6-FL-30SB	41	D6-TE-30SB	17
60	D5-FL-36SB	38	D5-TE-30SB	13	D6-FL-36SB	47	D6-TE-30SB	17
72	D5-FL-48SB	48	D5-TE-30SB	14	D6-FL-48SB	60	D6-TE-30SB	18

Rubber Disc Rolls

20° UNEQUAL IMPACT TROUGHER - TUI

Belt Width	5" Roll Dia				6" Roll Dia			
	Center Roll #	WT	Wing Roll #	WT	Center Roll #	WT	Wing Roll #	WT
24	D5-TEI-42SB	23	D5-TEI-14SB	10	D6-TEI-42SB	23	D6-TEI-14SB	10
30	D5-FLI-18SB	30	D5-TEI-14SB	10	D6-FLI-18SB	34	D6-TEI-14SB	10
36	D5-FLI-24SB	37	D5-TEI-14SB	10	D6-FLI-24SB	42	D6-TEI-14SB	10
42	D5-FLI-30SB	44	D5-TEI-14SB	10	D6-FLI-30SB	51	D6-TEI-14SB	10
48	D5-FLI-36SB	52	D5-TEI-14SB	10	D6-FLI-36SB	59	D6-TEI-14SB	10
54	D5-FLI-42SB	29	D5-TEI-14SB	10	D6-FLI-42SB	68	D6-TEI-14SB	10
60	D5-FLI-48SB	66	D5-TEI-14SB	10	D6-FLI-48SB	76	D6-TEI-14SB	10
72	D5-FLI-60SB	81	D5-TEI-14SB	10	D6-FLI-60SB	93	D6-TEI-14SB	10

35° UNEQUAL IMPACT TROUGHER - TUI

Belt Width	5" Roll Dia				6" Roll Dia			
	Center Roll #	WT	Wing Roll #	WT	Center Roll #	WT	Wing Roll #	WT
24	D5-TEI-36SB	20	D5-TEI-18SB	12	D6-TEI-36SB	23	D6-TEI-18SB	14
30	D5-TEI-42SB	23	D5-TEI-24SB	15	D6-TEI-42SB	27	D6-TEI-24SB	17
36	D5-TEI-54SB	29	D5-TEI-24SB	15	D6-TEI-54SB	34	D6-TEI-24SB	17
42	D5-FLI-18SB	30	D5-TEI-30SB	18	D6-FLI-18SB	34	D6-TEI-30SB	21
48	D5-FLI-24SB	37	D5-TEI-30SB	18	D6-FLI-24SB	42	D6-TEI-30SB	21
54	D5-FLI-30SB	44	D5-TEI-30SB	18	D6-FLI-30SB	51	D6-TEI-30SB	21
60	D5-FLI-36SB	52	D5-TEI-30SB	18	D6-FLI-36SB	59	D6-TEI-30SB	21
72	D5-FLI-48SB	66	D5-TEI-30SB	18	D6-FLI-48SB	76	D6-TEI-30SB	21

CEMA D Replacement Rolls & Parts

Steel Rolls

INVERTED V-RETURN - IVR

Belt Width	5" Roll Dia		6" Roll Dia	
	Part Number	WT	Part Number	WT
18	D5-TE-24SB	11	D6-TE-24SB	14
24	D5-TE-30SB	13	D6-TE-30SB	17
30	D5-TE-42SB	17	D6-TE-42SB	21
36	D5-TE-48SB	19	D6-TE-48SB	24
42	D5-TE-60SB	22	D6-TE-60SB	28
48	D5-CITS-48SB	25	D6-CITS-48SB	28
54	D5-FL-24SB	27	D6-FL-24SB	34
60	D5-CITS-54SB	30	D6-CITS-54SB	33
72	D5-CITS-60SB	35	D6-CITS-60SB	44

Rubber Disc Rolls

INVERTED V-RETURN - IVRI

Belt Width	5" Roll Dia		6" Roll Dia	
	Part Number	WT	Part Number	WT
18	D5-TEI-24SB	15	D6-TEI-24SB	17
24	D5-TEI-30SB	18	D6-TEI-30SB	21
30	D5-TEI-42SB	23	D6-TEI-42SB	27
36	D5-TEI-48SB	26	D6-TEI-48SB	30
42	D5-TEI-60SB	32	D6-TEI-60SB	37
48	D5-CITIS-48SB	33	D6-CITIS-48SB	38
54	D5-FLI-24SB	37	D6-FLI-24SB	42
60	D5-CITIS-54SB	41	D6-CITIS-54SB	46
72	D5-CITIS-60SB	46	D6-CITIS-60SB	55

C & D Clips

Description	Extended Description	Part Number	WT
C End Clip	Troughers & Returns	31790	0.03
C End Clip Screw	#12 x 3/8" self tapping	31880	0.03
D End Clip	Troughers & Returns	47117	0.03
1 1/2 end stand clip	1 1/2 D clip & Smart Roll	40825	0.03
D End Clip Screw	#12 x 1/2" 20° & Returns	31882	0.03
D End Clip Screw	#12 x 5/8" 35° & 45°	31881	0.03
C/D 20° Clip	Center Clip	00820	0.02
C/D 35° Clip	Center Clip	00835	0.04
C 45° Clip	Center Clip	02148A	0.06
D 45° Clip	Center Clip	37533	0.06

B, C, & D Standard Brackets

Description	Extended Description	Part Number	WT
End Stand	4 1/2" Height	01990	1.9
End Stand	1 1/2" Height	15001	1
Drop Bracket	4 1/2" Drop	14200	1.9
Drop Bracket	1 1/2" Drop	02200	0.9
BeltSaver II	4 1/2" Drop	14207	4
Channel Inset	4" Web Mount	30640	2
Channel Inset	2" Drop	24390	1.3

For VR & IVR Clips, etc. see page 19

B, C, & D Non-Standard Brackets – Check for availability

Description	Height	Part Number	WT
End Stand	1	15002	1
	XHD 1 1/2	15003	1.2
	2 1/4	33680	2
	2 1/2	33681	2
	3 1/2	29630	1.5
	4 1/8	24630	1.8
	4 1/4	30202	1.8
	XHD 4 1/2	30393	2.6
	6	30340	2.4
	6 1/2	30000	2.5
	7 1/2	30003	3
	8	30002	3
Cl Web Mount Endstand	4 1/2	33550	1.7

Description	Height	Part Number	WT
Drop Bracket	XHD 1 1/2	02201	1.7
	3	31940	1.6
	3 1/2	20430	2
	4 1/8	29100	2.3
	4 1/4	22250	2.3
	XHD 4 1/2	14205	2.5
	Wide XHD 4 1/2	14206	3
	5	24531	2.7
	5 1/2	25920	2.9
	6	24270	3.1
	BeltSaver II - 6	14208	4.7
	7 1/2	29950	3.7
	8	29070	3.9
	9	30180	4.3
	11 3/4	31270	5.4
	13	31271	6.9
16	27320	7.3	
17	28990	7.7	

CEMA E Replacement Rolls

Steel Rolls

EQUAL TROUGHER - TE & TESA

Belt Width	6" Roll Dia		7" Roll Dia	
	Part Number	WT	Part Number	WT
36	E6-TE-36SB	32	E7-TE-36SB	36
42	E6-TE-42SB	35	E7-TE-42SB	40
48	E6-TE-48SB	40	E7-TE-48SB	45
54	E6-TE-54SB	43	E7-TE-54SB	49
60	E6-TE-60SB	47	E7-TE-60SB	53
66	E6-TE-66SB	50	E7-TE-66SB	56
72	E6-TE-72SB	54	E7-TE-72SB	60
84	E6-TE-84SB	60	E7-TE-84SB	68
96	E6-TE-96SB	67	E7-TE-96SB	76

Rubber Disc Rolls

EQUAL TROUGHER IMPACT - TEI

Belt Width	6" Roll Dia		7" Roll Dia	
	Part Number	WT	Part Number	WT
36	E6P-TEI-36SB	37	E7P-TEI-36SB	37
42	E6P-TEI-42SB	41	E7P-TEI-42SB	42
48	E6P-TEI-48SB	48	E7P-TEI-48SB	49
54	E6P-TEI-54SB	53	E7P-TEI-54SB	54
60	E6P-TEI-60SB	56	E7P-TEI-60SB	57
66	E6P-TEI-66SB	63	E7P-TEI-66SB	64
72	E6P-TEI-72SB	68	E7P-TEI-72SB	69
84	E6P-TEI-84SB	77	E7P-TEI-84SB	79
96	E6P-TEI-96SB	87	E7P-TEI-96SB	90

FLAT CARRIER - F & FSA

Belt Width	6" Roll Dia		7" Roll Dia	
	Part Number	WT	Part Number	WT
36	E6-FL-36SB	78	E7-FL-36SB	88
42	E6-FL-42SB	88	E7-FL-42SB	99
48	E6-FL-48SB	98	E7-FL-48SB	111
54	E6-FL-54SB	109	E7-FL-54SB	122
60	E6-FL-60SB	119	E7-FL-60SB	134
66	E6-FL-66SB	129	E7-FL-66SB	145
72	E6-FL-72SB	139	E7-FL-72SB	157
84	E6-FL-84SB	160	E7-FL-84SB	180
96	E6-FL-96SB	180	E7-FL-96SB	203

FLAT CARRIER - FRD

Belt Width	6" Roll Dia		7" Roll Dia	
	Part Number	WT	Part Number	WT
36	E6P-FLI-36SB	98	E7P-FLI-36SB	101
42	E6P-FLI-42SB	112	E7P-FLI-42SB	115
48	E6P-FLI-48SB	126	E7P-FLI-48SB	129
54	E6P-FLI-54SB	139	E7P-FLI-54SB	143
60	E6P-FLI-60SB	153	E7P-FLI-60SB	157
66	E6P-FLI-66SB	167	E7P-FLI-66SB	171
72	E6P-FLI-72SB	180	E7P-FLI-72SB	185
84	E6P-FLI-84SB	208	E7P-FLI-84SB	213
96	E6P-FLI-96SB	235	E7P-FLI-96SB	241

RETURN - R & RSA

Belt Width	6" Roll Dia		7" Roll Dia	
	Part Number	WT	Part Number	WT
36	E6-FL-36SB	78	E7-FL-36SB	88
42	E6-FL-42SB	88	E7-FL-42SB	99
48	E6-FL-48SB	98	E7-FL-48SB	111
54	E6-FL-54SB	109	E7-FL-54SB	122
60	E6-FL-60SB	119	E7-FL-60SB	134
66	E6-FL-66SB	129	E7-FL-66SB	145
72	E6-FL-72SB	139	E7-FL-72SB	157
84	E6-FL-84SB	160	E7-FL-84SB	180
96	E6-FL-96SB	180	E7-FL-96SB	203
102	E6-FL-102SB	190	E7-FL-102SB	215

RETURN - RRD & RRDSA

Belt Width	6" Roll Dia		7" Roll Dia	
	Part Number	WT	Part Number	WT
36	E6-RI-36SB	76	E7-RI-36SB	78
42	E6-RI-42SB	86	E7-RI-42SB	88
48	E6-RI-48SB	96	E7-RI-48SB	98
54	E6-RI-54SB	106	E7-RI-54SB	107
60	E6-RI-60SB	116	E7-RI-60SB	118
66	E6-RI-66SB	126	E7-RI-66SB	128
72	E6-RI-72SB	136	E7-RI-72SB	138
84	E6-RI-84SB	159	E7-RI-84SB	161
96	E6-RI-96SB	180	E7-RI-96SB	183
102	E6-RI-102SB	188	E7-RI-102SB	190

CEMA E Replacement Rolls

Steel Rolls

V-RETURN - VR

Belt Width	6" Roll Dia		7" Roll Dia	
	Part Number	WT	Part Number	WT
36	E6-VR-36SB	42	E7-VR-36SB	47
42	E6-VR-42SB	47	E7-VR-42SB	53
48	E6-VR-48SB	52	E7-VR-48SB	59
54	E6-VR-54SB	57	E7-VR-54SB	65
60	E6-VR-60SB	63	E7-VR-60SB	71
66	E6-VR-66SB	68	E7-VR-66SB	76
72	E6-VR-72SB	73	E7-VR-72SB	82
78	E6-VR-78SB	78	E7-VR-78SB	88
84	E6-VR-84SB	84	E7-VR-84SB	94
90	E6-VR-90SB	89	E7-VR-90SB	100
96	E6-VR-96SB	94	E7-VR-96SB	106
102	E6-VR-102SB	99	E7-VR-102SB	112

Rubber Disc Rolls

V-RETURN - VRI

Belt Width	6" Roll Dia		7" Roll Dia	
	Part Number	WT	Part Number	WT
36	E6-VRI-36SB	41	E7-VRI-36SB	41
42	E6-VRI-42SB	46	E7-VRI-42SB	47
48	E6-VRI-48SB	51	E7-VRI-48SB	52
54	E6-VRI-54SB	56	E7-VRI-54SB	58
60	E6-VRI-60SB	61	E7-VRI-60SB	62
66	E6-VRI-66SB	67	E7-VRI-66SB	68
72	E6-VRI-72SB	72	E7-VRI-72SB	74
78	E6-VRI-78SB	77	E7-VRI-78SB	78
84	E6-VRI-84SB	82	E7-VRI-84SB	84
90	E6-VRI-90SB	87	E7-VRI-90SB	88
96	E6-VRI-96SB	93	E7-VRI-96SB	94
102	E6-VRI-102SB	98	E7-VRI-102SB	100

INVERTED V-RETURN - IVR

Belt Width	6" Roll Dia		7" Roll Dia	
	Part Number	WT	Part Number	WT
36	E6-TE-54SB	32	E7-TE-54SB	36
42	E6-TE-60SB	35	E7-TE-60SB	39
48	E6-TE-72SB	40	E7-TE-72SB	45
54	E6-FL-24SB	44	E7-FL-24SB	49
60	E6-TE-90SB	48	E7-TE-90SB	54
66	E6-VR-66SB	51	E7-VR-66SB	58
72	E6-VR-72SB	54	E7-VR-72SB	62
84	E6-VR-84SB	62	E7-VR-84SB	71
96	E6-VR-96SB	70	E7-VR-96SB	80
102	E6-TU-66SB	77	E7-TU-66SB	86

INVERTED V-RETURN - IVRI

Belt Width	6" Roll Dia		7" Roll Dia	
	Part Number	WT	Part Number	WT
36	E6P-TEI-54SB	52	E7P-TEI-54SB	54
42	E6P-TEI-60SB	57	E7P-TEI-60SB	59
48	E6P-TEI-72SB	67	E7P-TEI-72SB	69
54	E6P-FLI-24SB	70	E7P-FLI-24SB	72
60	E6P-TEI-90SB	82	E7P-TEI-90SB	85
66	E6P-VRI-66SB	66	E7P-VRI-66SB	78
72	E6P-VRI-72SB	82	E7P-VRI-72SB	83
84	E6P-VRI-84SB	94	E7P-VRI-84SB	95
96	E6P-VRI-96SB	106	E7P-VRI-96SB	108
102	E6P-TUI-66SB	137	E7P-TUI-66SB	141

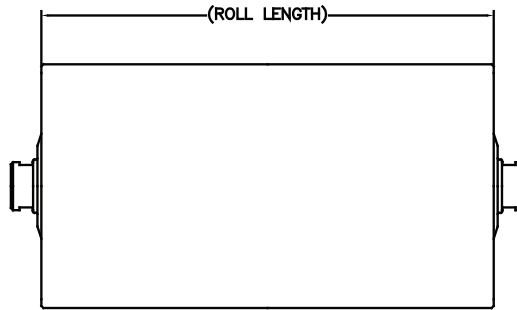
For VR & IVR Clips, etc. see page 19

TRANSITION EQUAL TROUGHER - TET

Belt Width	6" Roll Dia		7" Roll Dia		Roll Length
	Part Number	WT	Part Number	WT	
36	E6-TE-36SB	25	E7-TE-36SB	28	13.000
42	E6-TE-42SB	27	E7-TE-42SB	31	15.000
48	E6-TE-48SB	31	E7-TE-48SB	35	17.750
54	E6-TE-54SB	34	E7-TE-54SB	38	19.750
60	E6-TE-60SB	36	E7-TE-60SB	41	21.750
66	E6-TE-66SB	39	E7-TE-66SB	44	23.750
72	E6-TE-72SB	41	E7-TE-72SB	47	25.750
78	E6-TE-78SB	44	E7-TE-78SB	50	27.750
84	E6-TE-84SB	46	E7-TE-84SB	53	29.750
90	E6-TE-90SB	49	E7-TE-90SB	56	31.750
96	E6-TE-96SB	51	E7-TE-96SB	59	33.750

RUBBER DISC

Belt Width	6" Roll Dia		7" Roll Dia		Roll Length
	Part Number	WT	Part Number	WT	
36	E6P-TEI-36SB	37	E7P-TEI-36SB	38	13.000
42	E6P-TEI-42SB	43	E7P-TEI-42SB	44	15.000
48	E6P-TEI-48SB	50	E7P-TEI-48SB	51	17.750
54	E6P-TEI-54SB	55	E7P-TEI-54SB	56	19.750
60	E6P-TEI-60SB	59	E7P-TEI-60SB	61	21.750
66	E6P-TEI-66SB	65	E7P-TEI-66SB	67	23.750
72	E6P-TEI-72SB	70	E7P-TEI-72SB	71	25.750
78	E6P-TEI-78SB	74	E7P-TEI-78SB	76	27.750
84	E6P-TEI-84SB	80	E7P-TEI-84SB	82	29.750
90	E6P-TEI-90SB	84	E7P-TEI-90SB	87	31.750
96	E6P-TEI-96SB	89	E7P-TEI-96SB	91	33.750

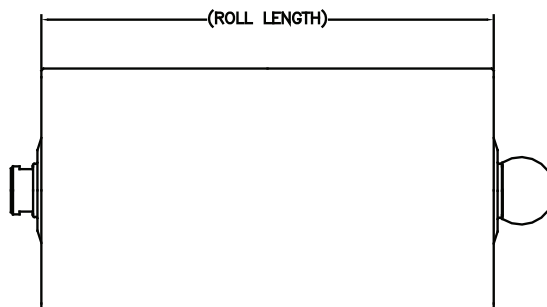


TRANSITION EQUAL TROUGHER - TET

Belt Width	6" Roll Dia		7" Roll Dia		Roll Length
	Part Number	WT	Part Number	WT	
36	41116-36	25	41117-36	28	13.000
42	41116-42	27	41117-42	31	15.000
48	41116-48	31	41117-48	35	17.750
54	41116-54	34	41117-54	38	19.750
60	41116-60	36	41117-60	41	21.750
66	41116-66	39	41117-66	44	23.750
72	41116-72	41	41117-72	47	25.750
78	41116-78	44	41117-78	50	27.750
84	41116-84	46	41117-84	53	29.750
90	41116-90	49	41117-90	56	31.750
96	41116-96	51	41117-96	59	33.750

RUBBER DISC

Belt Width	6" Roll Dia		7" Roll Dia		Roll Length
	Part Number	WT	Part Number	WT	
36	41236P-36	37	41237P-36	38	13.000
42	41236P-42	43	41237P-42	44	15.000
48	41236P-48	50	41237P-48	51	17.750
54	41236P-54	55	41237P-54	56	19.750
60	41236P-60	59	41237P-60	61	21.750
66	41236P-66	65	41237P-66	67	23.750
72	41236P-72	70	41237P-72	71	25.750
78	41236P-78	74	41237P-78	76	27.750
84	41236P-84	80	41237P-84	82	29.750
90	41236P-90	84	41237P-90	87	31.750
96	41236P-96	89	41237P-96	91	33.750



CEMA E Replacement Rolls & Parts

Steel Rolls

20° UNEQUAL TROUGHER - TU

Belt Width	6" Roll Dia				7" Roll Dia			
	Center Roll #	WT	Wing Roll #	WT	Center Roll #	WT	Wing Roll #	WT
36	E6-TE-66SB	50	E6-TUW-36SB	23	E7-TE-66SB	56	E7-TUW-36SB	25
42	E6-TE-84SB	60	E6-TUW-36SB	23	E7-TE-84SB	68	E7-TUW-36SB	25
48	E6-TU-48SB	71	E6-TUW-36SB	23	E7-TU-48SB	80	E7-TUW-36SB	25
54	E6-TU-54SB	81	E6-TUW-36SB	23	E7-TU-54SB	91	E7-TUW-36SB	25
60	E6-TU-60SB	91	E6-TUW-36SB	23	E7-TU-60SB	103	E7-TUW-36SB	25
66	E6-TU-66SB	101	E6-TUW-36SB	23	E7-TU-66SB	114	E7-TUW-36SB	25
72	E6-TU-72SB	111	E6-TUW-36SB	23	E7-TU-72SB	126	E7-TUW-36SB	25
84	E6-TU-84SB	132	E6-TUW-36SB	23	E7-TU-84SB	149	E7-TUW-36SB	25
96	E6-TU-96SB	152	E6-TUW-36SB	23	E7-TU-96SB	172	E7-TUW-36SB	25

Rubber Disc Rolls

20° UNEQUAL IMPACT TROUGHER - TUI

Belt Width	6" Roll Dia				7" Roll Dia			
	Center Roll #	WT	Wing Roll #	WT	Center Roll #	WT	Wing Roll #	WT
36	E6P-TEI-66SB	63	E6P-TUIW-36SB	22	E7P-TEI-66SB	64	E7P-TUIW-36SB	23
42	E6P-TEI-84SB	78	E6P-TUIW-36SB	22	E7P-TEI-84SB	80	E7P-TUIW-36SB	23
48	E6P-TUI-48SB	92	E6P-TUIW-36SB	22	E7P-TUI-48SB	95	E7P-TUIW-36SB	23
54	E6P-TUI-54SB	107	E6P-TUIW-36SB	22	E7P-TUI-54SB	110	E7P-TUIW-36SB	23
60	E6P-TUI-60SB	122	E6P-TUIW-36SB	22	E7P-TUI-60SB	126	E7P-TUIW-36SB	23
66	E6P-TUI-66SB	137	E6P-TUIW-36SB	22	E7P-TUI-66SB	141	E7P-TUIW-36SB	23
72	E6P-TUI-72SB	150	E6P-TUIW-36SB	22	E7P-TUI-72SB	155	E7P-TUIW-36SB	23
84	E6P-TUI-84SB	180	E6P-TUIW-36SB	22	E7P-TUI-84SB	185	E7P-TUIW-36SB	23
96	E6P-TUI-96SB	212	E6P-TUIW-36SB	22	E7P-TUI-96SB	218	E7P-TUIW-36SB	23

Clips

Description	Extended Description	Part Number	WT
E End Clip	Troughers & Returns	41320	0.17
E End Clip Screw	#5/16 x 1/2" self tapping	14571	0.02
E 20° & 35° Center Clip	Trougher Center Clip	32015	0.20
E 45° Center Clip	Trougher Center Clip	47139	0.25
OLD STYLE CENTER CLIPS			
Old E 20° & 35° Clip	Troughing Center Clip	41110	0.12
Old E 45° Clip	Troughing Center Clip	41111	0.19

Standard Brackets

Description	Ext Descript	Part Number	WT
E End Stand	4 1/2" Height	42330	4.4
E Drop Bracket	1 1/2" Drop	41211	3.3
E Drop Bracket	4 1/2" Drop	41213	5.4
E Drop Bracket	7" Drop	41210	6.5

Impact System (TIS) Parts

TIS, CIS REPLACEMENT ROLLS

Belt Width	CIS - D, LD		TIS - D		TIS - E	
	Part Number	WT	Part Number	WT	Part Number	WT
30	-	-	D6-TIS-30SB	20	-	-
36	D6-TIS-30SB	20	D6-TIS-36SB	29	E7P-TIS-36SB	45
42	D6-CIS-42SB	28	D6-TIS-42SB	34	E7P-TIS-42SB	50
48	D6-TIS-42SB	34	D6-TIS-48SB	37	E7P-TIS-48SB	57
54	D6-TIS-48SB	37	D6-TIS-54SB	41	E7P-TIS-54SB	62
60	D6-CIS-60SB	43	D6-TIS-60SB	48	E7P-TIS-60SB	72
72	-	-	D6-TIS-72SB	59	E7P-TIS-72SB	82
84	-	-	-	-	E7P-TIS-84SB	97
96	-	-	-	-	E7P-TIS-96SB	106
Lift Kit	DTISKIT	44	DTISKIT	44	ETISKIT	57
Lift	D6-TEI-24SB	17	D6-TEI-24SB	17	E7-TUIW-36SB	22
Lift Roll Clip	37534	0.03	37534	0.03	41320	0.17
Clip Screw	31882	0.03	31882	0.03	14571	0.02

Lift Kit includes two rolls & two brackets with necessary clips & screws to retain the lift roll in the bracket. Other items are for that part only, with a quantity of one each.

TIS, CIS REPLACEMENT PARTS

Description	Ext. Description	Dimensions	Part Number	WT
Slider Rail	1/2" thick UHMW	2 foot long rail	SRAIL2	12
Slider Rail	1/2" thick UHMW	5 foot long rail	SRAIL5	28
2' TIS, CIS Spring Kit	Springs, Bolts & Pins	for 2' D/E TIS & DCIS	MARSHKIT2	9
2' LDCIS Spring Kit	Springs, Bolts & Pins	for 2' LDCIS	CMARSHKIT2	7
5' TIS Spring Kit	Springs, Bolts & Pins	for 5' D/E TIS	MARSHKIT5	26
2' XETIS Spring Kit	Springs, Bolts & Pins	for 2' XE TIS	XEMARSHKIT2	10
5' XETIS Spring Kit	Springs, Bolts & Pins	for 5' XE TIS	XEMARSHKIT5	28

TIS XHD REPLACEMENT ROLLS

Belt Width	TIS - D		TIS - E	
	Part Number	WT	Part Number	WT
30	31310P-30	32	-	-
36	31310P-36	43	E7P-TISM-36SB	38
42	31310P-42	49	E7P-TISM-42SB	43
48	31310P-48	54	E7P-TISM-48SB	51
54	31310P-54	60	E7P-TISM-54SB	55
60	31310P-60	69	E7P-TISM-60SB	65
72	31310P-72	86	E7P-TISM-72SB	74
84	-	-	E7P-TISM-84SB	87
96	-	-	E7P-TISM-96SB	106

The XHD Rolls are optional for extreme impact situations. These are used in Engineered Impact Systems only.

Inverted V-Return Clips, Screws & Brackets

Description	Extended Description	Part Number	WT
C-IVR Clip	4 per frame	37539	0.15
D-IVR Clip	4 per frame	37538	0.13
D End Clip Screw	#12 x 1/2"	31882	0.03
E-IVR Clip	4 per frame	41320	0.17
IVR nut	8 per frame	511041	0.11
IVR lock washer	8 per frame	510047	0.01
IVR flat washer	8 per frame	511175	0.002
C/D IVR Drop Bracket	2 per frame	14300	4.5
E IVR Drop Bracket	2 per frame	14310	7

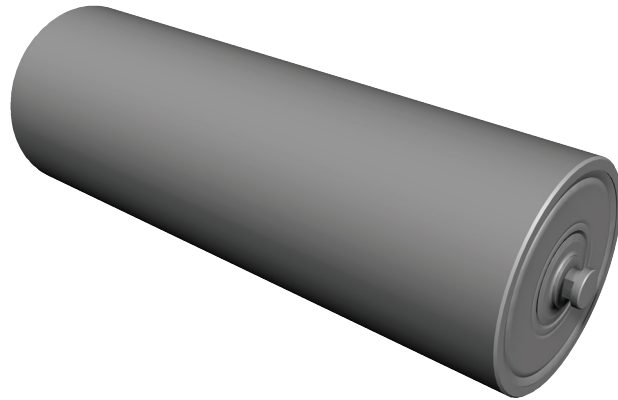
V-Return Clips & Screws

Description	Extended Description	Part Number	WT
C/D 20° Clip	Center Clip	00820	0.02
C End Clip	Troughers & Returns	31790	0.03
D End Clip	Troughers & Returns	37534	0.03
End Clip Screw	#12 x 1/2"	31882	0.03
E End Clip	Troughers & Returns	41320	0.17
E End Clip Screw	#5/16 x 1/2" self tapping	14571	0.02
E 20° & 35° Clip	Center Clip	41110	0.12

Specialty Idler Rolls

HD ROLLS WT ADDER

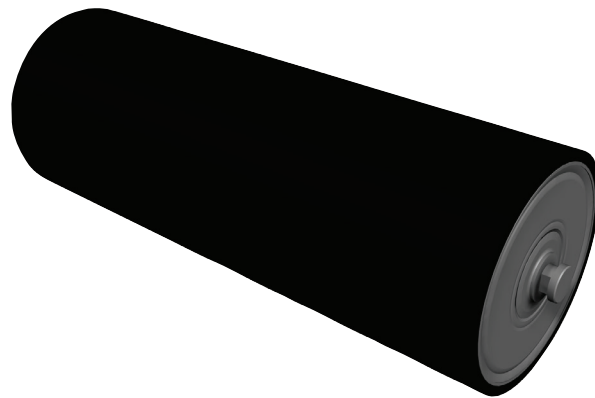
Belt Width	Equal Trougher	Returns & Flat
18	4	10
20	4	11
24	4	13
30	5	15
36	6	18
42	7	21
48	8	23
54	9	26
60	10	29
72	12	34



- Add "H" to beginning of roll part number for 1/4" can thickness. Example: D6-FL-48SB becomes HD6-FL-48SB
- Available on CEMA C & D rolls
- Available for 5" & 6" rolls

PLASTIC SLEEVE WEIGHT ADDER

Belt Width	Equal Trougher - Roll Diameter				Returns & Flat - Roll Diameter			
	4	5	6	7	4	5	6	7
18	2	2	2	3	3	4	4	5
20	2	2	2	3	3	4	5	5
24	2	2	3	3	4	4	5	6
30	2	3	3	3	5	5	6	7
36	3	3	3	4	5	6	7	8
42	3	3	4	4	6	7	8	10
48	3	4	4	5	7	8	9	11
54	3	4	5	5	8	9	11	12
60	4	4	5	6	8	10	12	13
72	4	5	6	6	10	11	14	16



- Polyethylene covered rolls - 1/4" thickness
- Available for 4, 5, 6, & 7" rolls
- Add PS to roll part number for plastic sleeve.
Example: D6-FL-48SB becomes D6-FL-48SBPS

Beater Bar & Rubber Grooved

Return Idler Rolls

CEMA C BEATER BAR ROLLS

Belt Width	5" Roll Dia		6" Roll Dia	
	Part Number	WT	Part Number	WT
18	C5-FLBR-18SB	31	C6-FLBR-18SB	33
20	C5-FLBR-20SB	34	C6-FLBR-20SB	36
24	C5-FLBR-24SB	39	C6-FLBR-24SB	41
30	C5-FLBR-30SB	47	C6-FLBR-30SB	49
36	C5-FLBR-36SB	55	C6-FLBR-36SB	57
42	C5-FLBR-42SB	63	C6-FLBR-42SB	65
48	C5-FLBR-48SB	71	C6-FLBR-48SB	73
54	C5-FLBR-54SB	79	C6-FLBR-54SB	81
60	C5-FLBR-60SB	87	C6-FLBR-60SB	89

CEMA D BEATER BAR ROLLS

Belt Width	5" Roll Dia		6" Roll Dia	
	Part Number	WT	Part Number	WT
18	D5-FLBR-18SB	36	D6-FLBR-18SB	38
24	D5-FLBR-24SB	45	D6-FLBR-24SB	47
30	D5-FLBR-30SB	54	D6-FLBR-30SB	56
36	D5-FLBR-36SB	64	D6-FLBR-36SB	66
42	D5-FLBR-42SB	73	D6-FLBR-42SB	75
48	D5-FLBR-48SB	82	D6-FLBR-48SB	84
54	D5-FLBR-54SB	93	D6-FLBR-54SB	95
60	D5-FLBR-60SB	102	D6-FLBR-60SB	105
72	D5-FLBR-60SB	121	D6-FLBR-60SB	124

- End clips & screws included
- Mounting brackets NOT included
- Use quantity of 2 - HA drop bracket - #14205

CEMA C RUBBER GROOVED ROLLS

Belt Width	5" Roll Dia		6" Roll Dia	
	Part Number	WT	Part Number	WT
18	C5-RLG-18SB	17	C6-RLG-18SB	21
20	C5-RLG-20SB	17	C6-RLG-20SB	21
24	C5-RLG-24SB	19	C6-RLG-24SB	24
30	C5-RLG-30SB	23	C6-RLG-30SB	29
36	C5-RLG-36SB	27	C6-RLG-36SB	33
42	C5-RLG-42SB	31	C6-RLG-42SB	38
48	C5-RLG-48SB	35	C6-RLG-48SB	43
54	C5-RLG-54SB	39	C6-RLG-54SB	48
60	C5-RLG-60SB	43	C6-RLG-60SB	53

CEMA D RUBBER GROOVED ROLLS

Belt Width	5" Roll Dia		6" Roll Dia	
	Part Number	WT	Part Number	WT
18	D5-RLG-18SB	28	D6-RLG-18SB	32
24	D5-RLG-24SB	35	D6-RLG-24SB	40
30	D5-RLG-30SB	42	D6-RLG-30SB	48
36	D5-RLG-36SB	49	D6-RLG-36SB	56
42	D5-RLG-42SB	56	D6-RLG-42SB	65
48	D5-RLG-48SB	63	D6-RLG-48SB	73
54	D5-RLG-54SB	70	D6-RLG-54SB	81
60	D5-RLG-60SB	77	D6-RLG-60SB	89
72	D5-RLG-72SB	89	D6-RLG-72SB	104

CEMA E RUBBER GROOVED ROLLS

Belt Width	6" Roll Dia		7" Roll Dia	
	Part Number	WT	Part Number	WT
36	E6-RLG-36SB	89	E7-RLG-36SB	97
42	E6-RLG-42SB	101	E7-RLG-42SB	111
48	E6-RLG-48SB	114	E7-RLG-48SB	125
54	E6-RLG-54SB	127	E7-RLG-54SB	139
60	E6-RLG-60SB	140	E7-RLG-60SB	153
66	E6-RLG-66SB	153	E7-RLG-66SB	167

CEMA E RUBBER GROOVED ROLLS

Belt Width	6" Roll Dia		7" Roll Dia	
	Part Number	WT	Part Number	WT
72	E6-RLG-72SB	165	E7-RLG-72SB	181
78	E6-RLG-78SB	178	E7-RLG-78SB	196
84	E6-RLG-84SB	191	E7-RLG-84SB	210
90	E6-RLG-90SB	205	E7-RLG-90SB	225
96	E6-RLG-96SB	218	E7-RLG-96SB	239
102	E6-RLG-102SB	231	E7-RLG-102SB	253

- End clips & screws included
- Mounting brackets NOT included
- Use quantity of 2 of the appropriate drop brackets

Wire Rope Idler Rolls

WIREROPE EQUAL TROUGHER - OFFSET

Belt Width	5" Roll Dia		6" Roll Dia	
	Part Number	WT	Part Number	WT
36	D5-TEWRO-36SB	16	D6-TEWRO-36SB	20
42	D5-TEWRO-42SB	18	D6-TEWRO-42SB	22
48	D5-TEWRO-48SB	20	D6-TEWRO-48SB	24
54	D5-TEWRO-54SB	21	D6-TEWRO-54SB	27
60	D5-TEWRO-60SB	23	D6-TEWRO-60SB	29

WIREROPE BRACKETS & CLAMPS

Description	Extended Description	Part Number	WT
Channel Clamp	TEWRO & WRR	42201	2
EyeNut	1/2"-13 UNC	42202	1
Carriage Bolt	1/2"-13 x 3 1/2"	500386	0.2
WR Drop Bracket	9" drop	31647	2
WR Drop Bracket	12" drop	31648	2.6
WR Drop Bracket	16" drop	31649	3.5

GUIDE ROLLS & SELF ALIGNER PARTS

Description	Extended Description	Part #	WT
GRR	2" dia x 5 length	05280	3
GRT	4" dia x 5 7/16 length	12830	4
GRF	4" dia x 5 7/16 length	12830	4
Old Self Aligner Parts B, C, D 2006 Earlier - E 2005 & Earlier			
Guide Roll	2" dia x 3 length roll	05281	2
Guide Roll Screw	5/16"-24 x 5/8"	11640	0.1
SA Arm	8" long arm	14602	2
SA Arm Bolt	3/8"-16 x 3/4"	14570	0.1
New B, C, D 2007 Self Aligner Parts (formed bar instead of square tubing)			
SA Assembly	Guide Roll Assembly (roll & arm)	30145	5
Reversible Bracket	Guide Roll Assembly for Reversible	32188	3.3
Slider Plate	Guide Plate for Reversible	32166	6.5
New E 2006 Self Aligner Parts (2 bolt mount)			
SA Assembly	Left Guide Assembly (roll & arm)	30731L	7
SA Assembly	Right Guide Assembly (roll & arm)	30731R	7
Reversing SA	Guide Roll Assembly (roll & arm)	30734	8
Guide Roll (only)	2 1/4" dia x 4 length	42590	3

Description	Part #	WT
ANSI #100 Connector	30825	0.2
Catenary Chain - 11.75" long	36369	0.7
Rod End Tensioner	30832	1.3

WIREROPE RETURNS

Belt Width	5" Roll Dia		6" Roll Dia	
	Part Number	WT	Part Number	WT
36	D5-FL-42SB	43	D6-FL-42SB	54
42	D5-FL-48SB	48	D6-FL-48SB	60
48	D5-FL-54SB	53	D6-FL-54SB	66
54	D5-FL-60SB	58	D6-FL-60SB	73
60	D5-FL-66SB	64	D6-FL-66SB	80

WIREROPE RETURNS

Belt Width	5" Roll Dia		6" Roll Dia	
	Part Number	WT	Part Number	WT
36	C5-FL-42SB	38	C6-FL-42SB	47
42	C5-FL-48SB	42	C6-FL-48SB	53
48	C5-FL-54SB	47	C6-FL-54SB	58
54	C5-FL-60SB	52	C6-FL-60SB	64
60	C5-FL-66SB	58	C6-FL-66SB	71

CATENARY PARTS

Belt Width	3-Roll - Individual Roll Part Numbers					
	4" Roll Part #	WT	5" Roll Part #	WT	6" Roll Part #	WT
24	31328-24	8	30823-24	10	33038-24	12
30	31328-30	9	30823-30	11	33038-30	14
36	31328-36	10	30823-36	13	33038-36	16
42	31328-42	12	30823-42	14	33038-42	18
48	31328-48	13	30823-48	16	33038-48	20
54	31328-54	14	30823-54	17	33038-54	22
60	31328-60	15	30823-60	19	33038-60	24

Belt Width	5-Roll - Individual Roll Part Numbers					
	4" Roll Part #	WT	5" Roll Part #	WT	6" Roll Part #	WT
24	31329-24	6	30829-24	8	33039-24	10
30	31329-30	7	30829-30	9	33039-30	11
36	31329-36	7	30829-36	10	33039-36	12
42	31329-42	8	30829-42	11	33039-42	14
48	31328-30	9	30823-30	11	33038-30	14
54	31329-54	9	30829-54	13	33039-54	15
60	31328-36	10	30823-36	13	33038-36	16

Belt Width	2-Roll - Individual Roll Part Numbers					
	4" Roll Part #	WT	5" Roll Part #	WT	6" Roll Part #	WT
24	36367-24	11	36368-24	14	33037-24	19
30	31328-48	13	30823-48	16	33038-48	20
36	36367-36	15	36368-36	18	33037-36	25
42	36367-42	17	36368-42	20	33037-42	27
48	36367-48	19	36368-48	23	33037-48	30
54	36367-54	21	36368-54	25	33037-54	33
60	36367-60	22	36368-60	27	33037-60	36

Grain Idler Rolls (Offset)

CEMA C GRAIN TROUGHER

Belt Width	4" Roll Dia				5" Roll Dia				6" Roll Dia			
	Center Part #	WT	Wing Part #	WT	Center Part #	WT	Wing Part #	WT	Center Part #	WT	Wing Part #	WT
18	C4-TE-24SB	8	C4-TG-18SB	7	C5-TE-24SB	9	C5-TG-18SB	8	C6-TE-24SB	13	C6-TG-18SB	11
24	C4-TG-30SB	9	C4-TE-24SB	8	C5-TG-30SB	11	C5-TE-24SB	9	C6-TG-30SB	15	C6-TE-24SB	13
30	C4-TG-36SB	11	C4-TG-30SB	9	C5-TG-36SB	12	C5-TG-30SB	11	C6-TG-36SB	17	C6-TG-30SB	15
36	C4-TG-42SB	12	C4-TG-36SB	11	C5-TG-42SB	14	C5-TG-36SB	12	C6-TG-42SB	19	C6-TG-36SB	17
42	C4-TG-48SB	13	C4-TG-42SB	12	C5-TG-48SB	16	C5-TG-42SB	14	C6-TG-48SB	21	C6-TG-42SB	19
48	C4-TG-54SB	14	C4-TG-48SB	13	C5-TG-54SB	17	C5-TG-48SB	16	C6-TG-54SB	23	C6-TG-48SB	21
54	C4-TG-60SB	16	C4-TG-54SB	14	C5-TG-60SB	19	C5-TG-54SB	17	C6-TG-60SB	25	C6-TG-54SB	23
60	C4-TG-66SB	17	C4-TG-60SB	16	C5-TG-66SB	20	C5-TG-60SB	19	C6-TG-66SB	27	C6-TG-60SB	25

CEMA C GRAIN IMPACT TROUGHER

Belt Width	4" Roll Dia				5" Roll Dia				6" Roll Dia			
	Center Part #	WT	Wing Part #	WT	Center Part #	WT	Wing Part #	WT	Center Part #	WT	Wing Part #	WT
18	C4-TEI-24SB	8	C4-TGI-18SB	6	C5-TEI-24SB	10	C5-TGI-18SB	8	C6-TEI-24SB	12	C6-TGI-18SB	10
24	C4-TGI-30SB	9	C4-TEI-24SB	8	C5-TGI-30SB	12	C5-TEI-24SB	10	C6-TGI-30SB	15	C6-TEI-24SB	12
30	C4-TGI-36SB	10	C4-TGI-30SB	9	C5-TGI-36SB	13	C5-TGI-30SB	12	C6-TGI-36SB	17	C6-TGI-30SB	15
36	C4-TGI-42SB	12	C4-TGI-36SB	10	C5-TGI-42SB	16	C5-TGI-36SB	13	C6-TGI-42SB	20	C6-TGI-36SB	17
42	C4-TGI-48SB	14	C4-TGI-42SB	12	C5-TGI-48SB	18	C5-TGI-42SB	16	C6-TGI-48SB	23	C6-TGI-42SB	20
48	C4-TGI-54SB	15	C4-TGI-48SB	14	C5-TGI-54SB	19	C5-TGI-48SB	18	C6-TGI-54SB	25	C6-TGI-48SB	23
54	C4-TGI-60SB	16	C4-TGI-54SB	15	C5-TGI-60SB	22	C5-TGI-54SB	19	C6-TGI-60SB	28	C6-TGI-54SB	25
60	C4-TGI-66SB	18	C4-TGI-60SB	16	C5-TGI-66SB	24	C5-TGI-60SB	22	C6-TGI-66SB	31	C6-TGI-60SB	28

CEMA D GRAIN TROUGHER

Belt Width	5" Roll Dia				6" Roll Dia			
	Center Part #	WT	Wing Part #	WT	Center Part #	WT	Wing Part #	WT
18	D5-TE-24SB	12	D5-TG-18SB	10	D6-TE-24SB	14	D6-TG-18SB	12
24	D5-TG-30SB	13	D5-TE-24SB	12	D6-TG-30SB	17	D6-TE-24SB	14
30	D5-TG-36SB	15	D5-TG-30SB	13	D6-TG-36SB	19	D6-TG-30SB	17
36	D5-TG-42SB	17	D5-TG-36SB	15	D6-TG-42SB	21	D6-TG-36SB	19
42	D5-TG-48SB	19	D5-TG-42SB	17	D6-TG-48SB	23	D6-TG-42SB	21
48	D5-TG-54SB	20	D5-TG-48SB	19	D6-TG-54SB	25	D6-TG-48SB	23
54	D5-TG-60SB	22	D5-TG-54SB	20	D6-TG-60SB	27	D6-TG-54SB	25
60	D5-TG-66SB	24	D5-TG-60SB	22	D6-TG-66SB	30	D6-TG-60SB	27

CEMA D GRAIN IMPACT TROUGHER

Belt Width	5" Roll Dia				6" Roll Dia			
	Center Part #	WT	Wing Part #	WT	Center Part #	WT	Wing Part #	WT
18	D5-TEI-24SB	15	D5-TGI-18SB	11	D6-TEI-24SB	17	D6-TGI-18SB	12
24	D5-TGI-30SB	16	D5-TEI-24SB	15	D6-TGI-30SB	19	D6-TEI-24SB	17
30	D5-TGI-36SB	19	D5-TGI-30SB	16	D6-TGI-36SB	22	D6-TGI-30SB	19
36	D5-TGI-42SB	21	D5-TGI-36SB	19	D6-TGI-42SB	25	D6-TGI-36SB	22
42	D5-TGI-48SB	24	D5-TGI-42SB	21	D6-TGI-48SB	28	D6-TGI-42SB	25
48	D5-TGI-54SB	26	D5-TGI-48SB	24	D6-TGI-54SB	31	D6-TGI-48SB	28
54	D5-TGI-60SB	29	D5-TGI-54SB	26	D6-TGI-60SB	34	D6-TGI-54SB	31
60	D5-TGI-66SB	32	D5-TGI-60SB	29	D6-TGI-66SB	38	D6-TGI-60SB	34



CORPORATE OFFICE

300 SE 14th Street P.O. Box 287
Pella, Iowa 50219-0287 USA
800.247.1228 641.628.3115
Fax 641.628.3658
www.ppipella.com



WEST COAST SERVICE CENTER

Sacramento, California 95828
800.821.9798
Fax 916.386.0545

SOUTHWEST SERVICE CENTER

Arlington, Texas 76105
800.247.1228
Fax 641.628.3658

SOUTHEAST SERVICE CENTER

Cleveland, Tennessee 37312
800.247.1228
Fax 641.628.3658

NORTHEAST SERVICE CENTER

Lewisberry, Pennsylvania 17339
800.247.1228
Fax 641.628.3658