

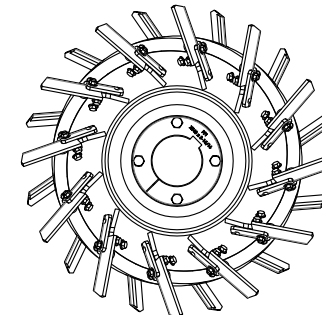
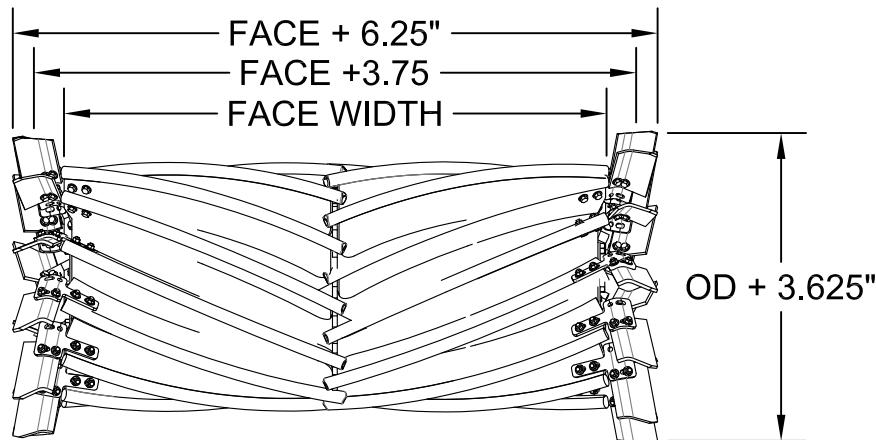
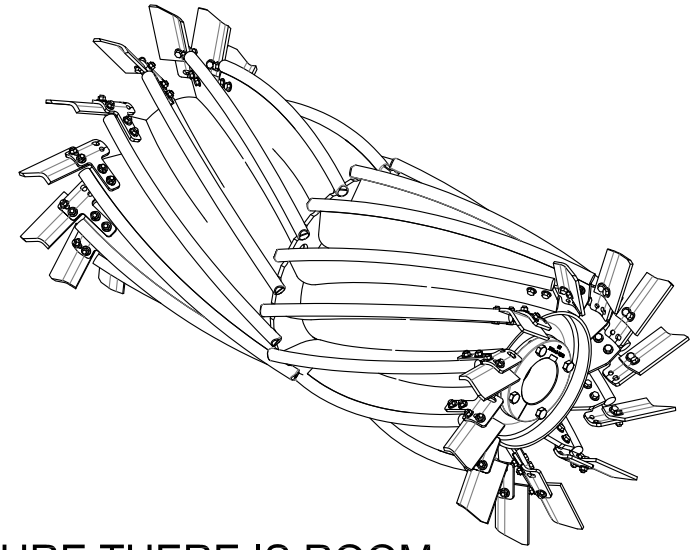
NOTES: FOR FLAPPER WINGS

(RUBBER) FLIPPER OD = PULLEY OD + 3.625
 OUT TO OUT OF (RUBBER) FLIPPERS = FACE WIDTH + 6.25
 OUT TO OUT OF (METAL) FLAPPERS = FACE WIDTH + 3.75

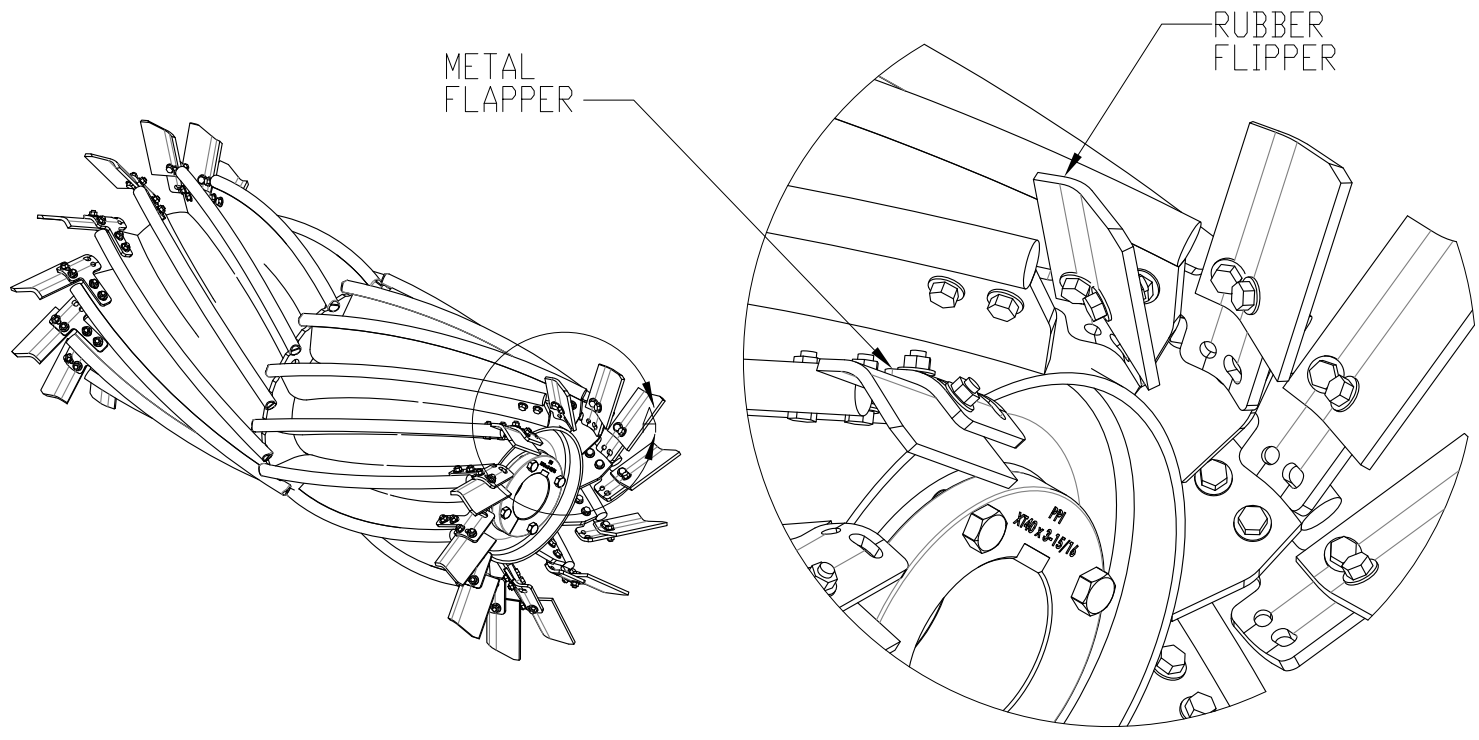
GRAIN HBW IS MINE DUTY TYPE WITH AR BAR
 AND EXTRA WINGS FOR MORE SUPPORT

FLAPPER HAS 1/2" OF ADJUSTMENT IN BOLT HOLES THAT ARE
 SLOTTED. FLAPPERS ARE SHIPPED LOOSE.

MEASURE THE CHUTE AROUND THE TAIL PULLEY TO MAKE SURE THERE IS ROOM.
 THE RUBBER FLAPPER SHOULD NOT RUB ON THE CHUTE.
 THERE SHOULD BE APPROXIMATELY 1/8" TO 3/16" CLEARANCE.
 PULLEY FACE WIDTH SHOULD BE ABOUT 6.5" TO 6.75" LESS THAN THE INSIDE CHUTE WIDTH.



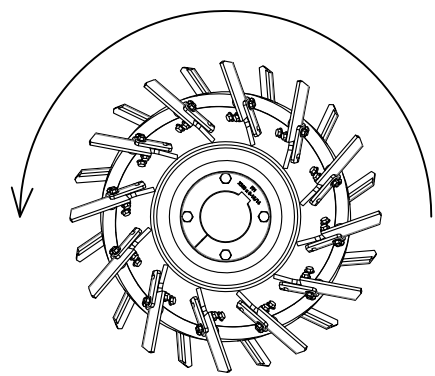
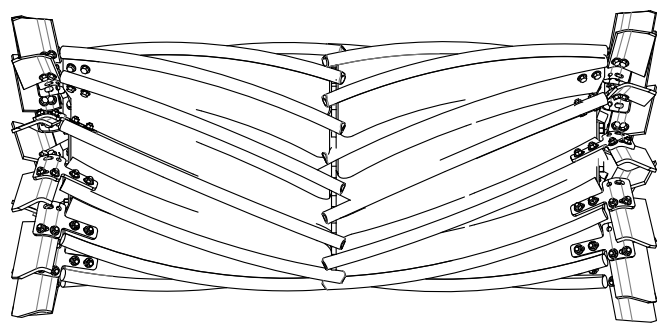
							TOLERANCES <small>UNLESS OTHERWISE SPECIFIED</small> DECIMAL (METRIC) X.XX ± 0.060 X.[] ± 1.6 X.XXX ± 0.030 X.X[] ± 0.8 X.XXXX ± 0.005 X.XX[] ± 0.4 FRACTIONAL ± 1/16 ANGULAR ± 1°		PROPRIETARY & CONFIDENTIAL <small>THE INFORMATION CONTAINED IN THIS DRAWING IS THE SOLE PROPERTY OF PPI. ANY REPRODUCTION IN PART OR AS A WHOLE WITHOUT THE WRITTEN PERMISSION OF PPI IS PROHIBITED.</small>		Drawing Controlled by 3D Model In SolidWorks DO NOT SCALE DRAWING ELECTRONIC FILE SCALE:1:16		DRAFTER: ENGINEER: LJL		Precision Pulley & Idler Pella, Iowa		DWG NO. HBW-FLAP WEIGHT(lbs)		SHEET 1 OF 1
1							PART DESCRIPTION: HERRINGBONE WING DIMENSIONS WITH FLIPPERS		DWG NO. HBW-FLAP PART NO. TABLE		DATE: REV. 0								
0 CREATION OF PART.		LJL																	
REV	DESCRIPTION	ECO/ENPR	DATE	DRAFT	ENGR														



- NOTES:
- 1) THE V OF THE HERRINGBONE POINTS IN THE DIRECTION OF ROTATION.
 - 2) FLAT WASHERS SHOULD BE USED UNDER ALL BOLT HEADS AND NUTS
 - 3) BOLTS SHOULD BE 5/16" BY 1-1/2" BOLT WITH LOCK NUT
 - 4) THE BOLT IS INSERTED FROM THE FRONT SIDE OF THE WING.
 - 5) THE FLAPPERS (METAL PART) IS MOUNTED TO THE BACK SIDE OF THE WING SUCH THAT THE BENT PART CURVES FORWARD AND SECURED WITH LOCK NUT
 - 6) THE FLIPPER (RUBBER PART) IS MOUNTED TO THE FRONT SIDE OF THE FLIPPER AND IS BOLTED WITH THE HEADS OF THE BOLT INSERTED FROM THE FRONT

DETAIL A
SCALE 1 : 4

DIRECTION OF ROTATION



						TOLERANCES UNLESS OTHERWISE SPECIFIED		PROPRIETARY & CONFIDENTIAL		Drawing Controlled by 3D Model In SolidWorks		DRAFTER: LJL		Precision Pulley & Idler Pella, Iowa		
						DECIMAL ±0.060 X.XX ±0.030 X.XXX ±0.030 X.XXXX ±0.005		[METRIC] X±[.6] X.X[0.8] X.XX±[0.4]		DO NOT SCALE DRAWING		ELECTRONIC FILE SCALE:1:16				ENGINEER: LJL
1													DWG NO. HBW-FLAP		WEIGHT(lbs) TBD	SHEET 1 OF 1
0	CREATION OF PART.	ECD TBD	4/15/15	LJL	LJL								PART NO. TABLE		DATE: 4/15/15	REV. 0
REV	DESCRIPTION	ECD/ENPR	DATE	DRAFT	ENGR	FRACTIONAL ±1/16 ANGULAR ±1°		THE INFORMATION CONTAINED IN THIS DRAWING IS THE SOLE PROPERTY OF PPI. ANY REPRODUCTION IN PART OR AS A WHOLE WITHOUT THE WRITTEN PERMISSION OF PPI IS PROHIBITED.		PART DESCRIPTION: HERRINGBONE WING WITH FLAPPERS - INSTALLATION						