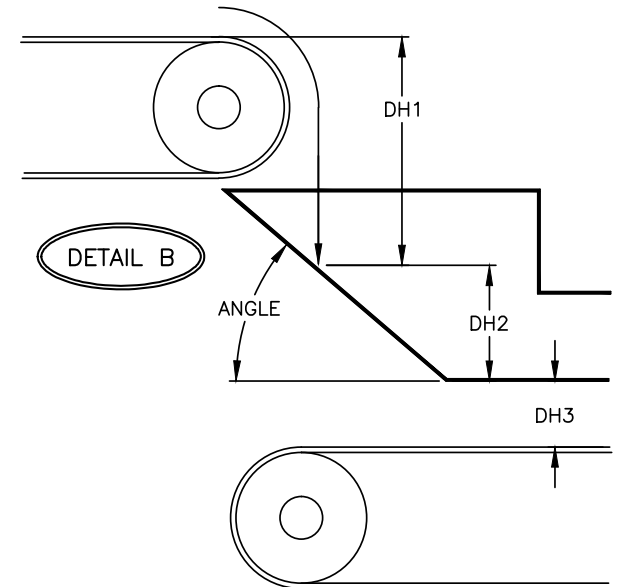
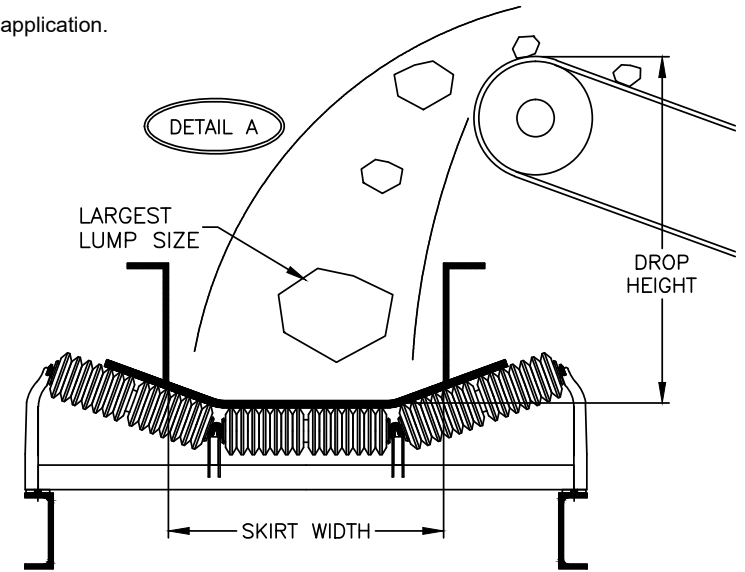
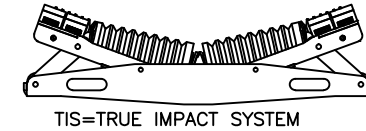
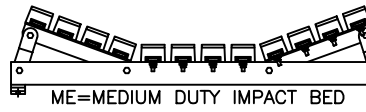
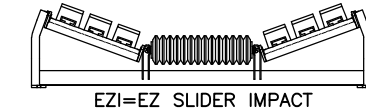
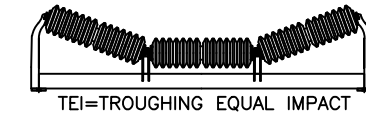


IMPACT IDLER SELECTION DATA SHEET

Once the information from this data sheet has been reviewed, PPI's engineers will determine the best impact system for your application.

MATERIAL TYPE _____
 MATERIAL DENSITY (LB/FT³) _____
 LARGEST LUMP SIZE _____
 (DETAIL A) DROP HEIGHT _____
 (DETAIL B) DH1-DH2-DH3 _____
 ANGLE _____
 BELT WIDTH _____
 TROUGH ANGLE _____
 ROLL DIAMETER _____
 BED LENGTH _____
 SKIRT WIDTH _____



COMPANY NAME _____

LOCATION _____

CONTACT NAME _____

PHONE _____

E-MAIL _____

DATE _____

NOTES _____