



# Retro Rolls®



## Table of Contents

Retro Part Numbering System .....	2
Retro Nut Instructions for C/D Adapter Nuts .....	3
<b>Continental Retro Rolls®</b>	
CEMA C & Wireropes .....	4
CEMA D, E .....	5
<b>FMC Retro Rolls®</b>	
CEMA C & D7000 .....	6
CEMA D, E .....	7
<b>Goodman Retro Rolls®</b>	
CEMA C .....	8
CEMA D, E .....	9
<b>Hewitt-Robins Retro Rolls®</b>	
CEMA C .....	10
CEMA D, E .....	11
<b>Luff Retro Rolls®</b> .....	12
<b>Rexnord Retro Rolls®</b> .....	13
<b>SA Retro Rolls®</b> .....	14
<b>Superior Retro Rolls®</b> .....	15
<b>Transall/DBT Retro Rolls®</b> .....	16
Retro Nut Dimensions for C/D Adapter Nuts .....	17
<i>For Special or non-standard Retro Rolls</i>	
Retro Drawings/Diagrams .....	18
Retro Chart .....	19

PPI® & Retro Roll® are registered trademarks of Precision Inc.  
 Copyright © 2006, Precision Pulley & Idler, All Rights Reserved

Subject to change without notice

Catalog RRPC, 09/07

	<b>Corporate Office</b>	<b>West Coast</b>	<b>SouthWest</b>	<b>Northeast</b>	<b>Southeast</b>
	PO Box 287	Service Center	Service Center	Service Center	Service Center
	Pella, IA 50219	Sacramento, CA	Fort Worth, TX	Lewisberry, PA	Cleveland, TN
	800.247.1228	800.821.9798	800.247.1228	800.247.1228	800.247.1228
	641.628.3115	800.821.9798	800.247.1228	800.247.1228	800.247.1228
www.ppipella.com	fax 641.628.3658	fax 916.386.0545	fax 641.628.3658	fax 641.628.3658	fax 641.628.3658



# PPI Retro Roll® Part Numbering

## C5-FMTE-11.00

CEMA Series  
B, C, D or E

Roll Diameter  
4, 5, 6 or 7

Fits Idler Frame  
See Below

Manufacturer's Roll Length  
Round to 2 decimal places

Idler Type

TE - Equal Troughing Roll

FL - Return Roll

TEI - Equal Troughing Impact

RI - Rubber Disc Return Roll

FLI - Flat Carrier Rubber Disc

Zinc Nut (standard)

CR – Continental

FM – FMC Linkbelt

GM – Goodman

HR – Hewitt Robins

RX – Rexnord

SU – Superior

Steel Nut (optional/impact)

CS – Continental

FS – FMC Linkbelt

GS – Goodman

HS – Hewitt Robins

RS – Rexnord

SS – Superior

Broach End (No Nut)

SA – Stephens Adamson

LU – Luff

PR – Precismeca

TR – Transall (DBT)

### Table of Contents

#### Continental Retro Rolls®

CEMA C & Wireropes.....	4
CEMA D, E .....	5

#### FMC Retro Rolls®

CEMA C & D7000.....	6
CEMA D, E .....	7

#### Goodman Retro Rolls®

CEMA C.....	8
CEMA D, E .....	9

#### Hewitt-Robins Retro Rolls®

CEMA C.....	10
CEMA D, E .....	11

#### Luff Retro Rolls® .....12

#### Rexnord Retro Rolls® .....13

#### SA Retro Rolls® .....14

#### Superior Retro Rolls® .....15

#### Transall/DBT Retro Rolls® .....16

Retro Nut Dimensions for C/D .....3, 17

*For Special or non-standard Retro Rolls®*

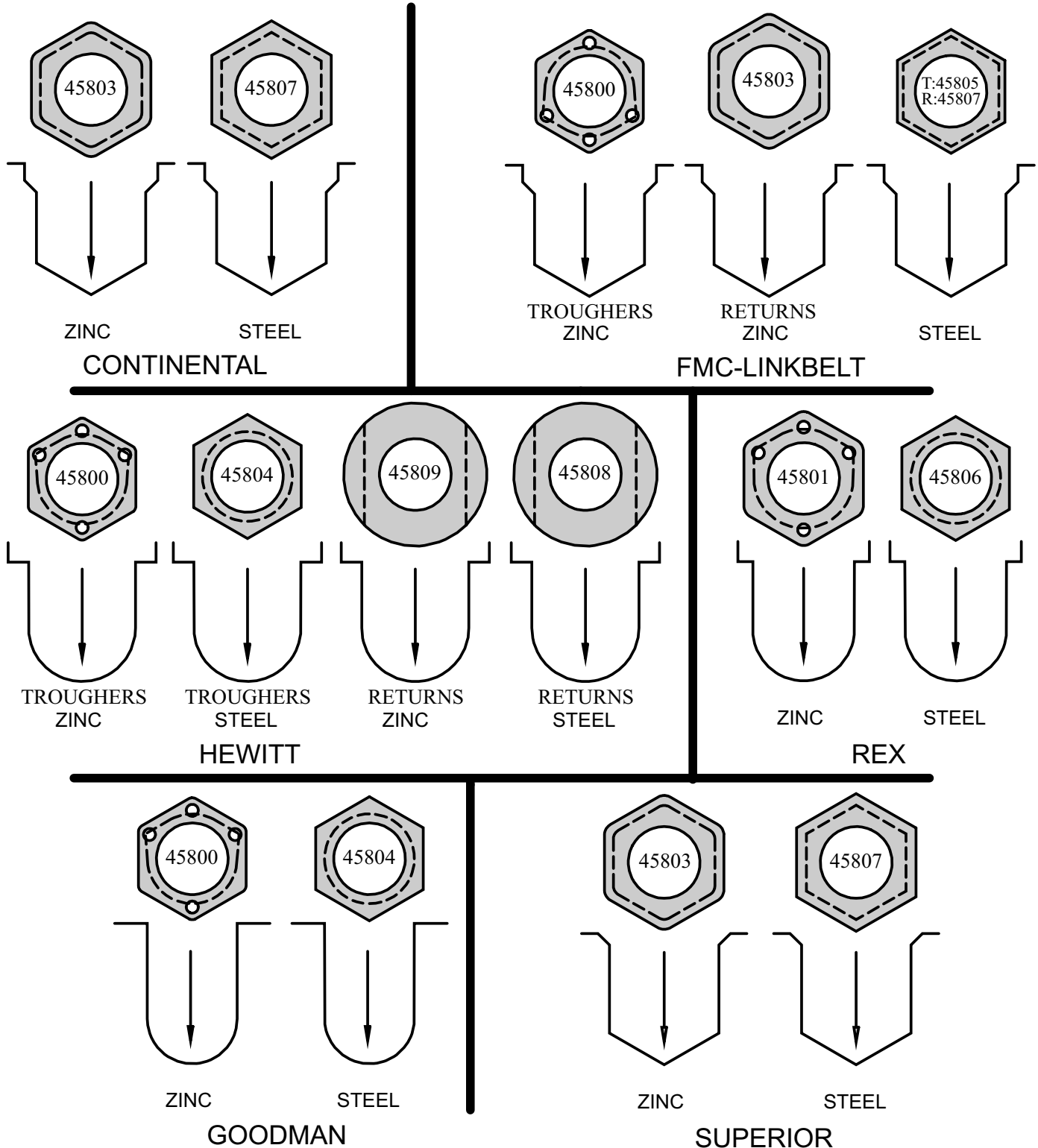
Retro Drawings/Diagrams.....18

Retro Chart .....19

# PPI Retro Roll® Installation Instructions

for C/D adapter nuts

- 1.) Retro Roll® adapters are to be installed as shown in details below for your particular idler manufacturer.
- 2.) Please note the orientation of the hex's and the location of the identification mark on the zinc nuts.
- 3.) Adapter nuts are threaded on the shaft with UNF threads and may be adjusted to fit your application if necessary.
- 4.) For replacement adapter nuts, order by part number indicated below. (T=Trougher, R=Return)



For operation & maintenance manuals, check out our website at <http://www.ppipella.com>, just click on Catalogs.

Subject to change without notice

## Continental CEMA C Trougher

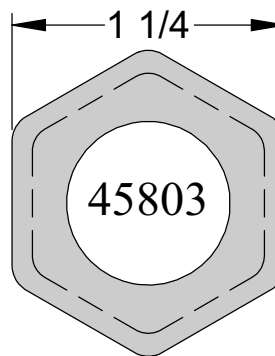
Belt Width	4" Roll Diameter		5" Roll Diameter		6" Roll Diameter	
	Part Number	Wt	Part Number	Wt	Part Number	Wt
18	C4-CRTE-7.00	7	C5-CRTE-7.00	8	C6-CRTE-7.00	10
24	C4-CRTE-9.00	8	C5-CRTE-9.00	10	C6-CRTE-9.00	12
30	C4-CRTE-11.00	9	C5-CRTE-11.00	11	C6-CRTE-11.00	14
36	C4-CRTE-13.00	10	C5-CRTE-13.00	13	C6-CRTE-13.00	16
42	C4-CRTE-15.00	11	C5-CRTE-15.00	14	C6-CRTE-15.00	18
48	C4-CRTE-17.00	13	C5-CRTE-17.00	16	C6-CRTE-17.00	20
54	C4-CRTE-19.00	14	C5-CRTE-19.00	17	C6-CRTE-19.00	21
60	C4-CRFL-21.00	15	C5-CRFL-21.00	19	C6-CRFL-21.00	23

## Continental CEMA C Returns

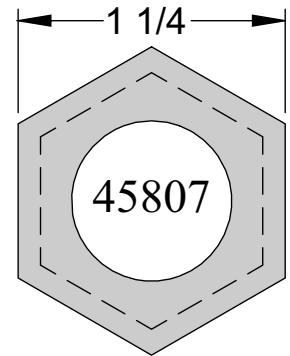
Belt Width	4" Roll Diameter		5" Roll Diameter		6" Roll Diameter	
	Part Number	Wt	Part Number	Wt	Part Number	Wt
18	C4-CRFL-21.00	15	C5-CRFL-21.00	19	C6-CRFL-21.00	23
24	C4-CRFL-27.00	19	C5-CRFL-27.00	23	C6-CRFL-27.00	29
30	C4-CRFL-33.00	23	C5-CRFL-33.00	28	C6-CRFL-33.00	35
36	C4-CRFL-39.00	27	C5-CRFL-39.00	33	C6-CRFL-39.00	40
42	C4-CRFL-45.00	31	C5-CRFL-45.00	37	C6-CRFL-45.00	46
48	C4-CRFL-51.00	34	C5-CRFL-51.00	42	C6-CRFL-51.00	52
54	C4-CRFL-57.00	38	C5-CRFL-57.00	46	C6-CRFL-57.00	57
60	C4-CRFL-63.00	42	C5-CRFL-63.00	51	C6-CRFL-63.00	63

**This is a partial list of Retro Rolls® that are available. It represents the more common requested items. Contact your PPI Rep for rolls not listed here.**

**For "special" or unusual rolls, use the charts on page 18 & 19 and send this info to Precision Pulley & Idler.**



**Zinc Nut**



**Steel Nut**

Note: Steel Rolls have Zinc Nuts on CEMA C & D Rolls as Standard. If steel nuts are desired, simply replace the CR in the part number with CS, e.g.

C4-CRTE-7.00 becomes C4-CSTE-7.00  
(E use Steel nuts on all Rolls)

Note: To specify 1/4" thick steel cans, add H to the beginning of the part number, e.g.

C4-CRTE-7.00 becomes HC4-CRTE-7.00

Note: To specify Plastic Sleeve over the steel cans, add PS to the end of the part number, e.g.

C4-CRTE-7.00 becomes C4-CRTE-7.00PS

Note: rubber disc rolls have Steel Nuts (on the following page) as standard.

(Zinc Nuts are not available on E Rolls)

(Zinc Nuts are not available on impact Rolls)

**Note: These part numbers are for the roll with the hex nut ends. Contact your local PPI rep if you need the roll with a broach end.**

## Continental CEMA C WireRope

Belt Width	5" Roll Diameter		6" Roll Diameter	
	Part Number	Wt	Part Number	Wt
30	C5-CRWR-12.25	12	C6-CRWR-12.25	15
36	C5-CRWR-14.25	14	C6-CRWR-14.25	17
42	C5-CRWR-16.25	15	C6-CRWR-16.25	19
48	C5-CRWR-18.25	17	C6-CRWR-18.25	21
54	C5-CRWR-20.25	19	C6-CRWR-20.25	23
60	C5-CRWR-22.25	20	C6-CRWR-22.25	25

## Continental CEMA D WireRope

Belt Width	5" Roll Diameter		6" Roll Diameter	
	Part Number	Wt	Part Number	Wt
30	D5-CRWR-12.25	14	D6-CRWR-12.25	17
36	D5-CRWR-14.25	16	D6-CRWR-14.25	19
42	D5-CRWR-16.25	18	D6-CRWR-16.25	21
48	D5-CRWR-18.25	18	D6-CRWR-18.25	24
54	D5-CRWR-20.25	21	D6-CRWR-20.25	26
60	D5-CRWR-22.25	23	D6-CRWR-22.25	29

For operation & maintenance manuals, check out our website at <http://www.pipella.com>, just click on Catalogs.

Subject to change without notice



# Continental Retro Rolls™

## Steel Rolls

## Rubber Disc Rolls

Continental CEMA D Trough					Continental CEMA D Impact			
Belt Width	5" Roll Diameter		6" Roll Diameter		5" Roll Diameter		6" Roll Diameter	
	Part Number	Wt	Part Number	Wt	Part Number	Wt	Part Number	Wt
18	D5-CRTE-7.00	9	D6-CRTE-7.00	11	D5-CSTEI-6.50	9	D6-CSTEI-6.50	11
24	D5-CRTE-9.00	11	D6-CRTE-9.00	13	D5-CSTEI-8.50	12	D6-CSTEI-8.50	14
30	D5-CRTE-11.00	13	D6-CRTE-11.00	15	D5-CSTEI-10.50	14	D6-CSTEI-10.50	17
36	D5-CRTE-13.00	15	D6-CRTE-13.00	17	D5-CSTEI-12.50	17	D6-CSTEI-12.50	20
42	D5-CRTE-15.00	16	D6-CRTE-15.00	19	D5-CSTEI-14.50	20	D6-CSTEI-14.50	24
48	D5-CRTE-17.00	18	D6-CRTE-17.00	21	D5-CSTEI-16.50	22	D6-CSTEI-16.50	26
54	D5-CRTE-19.00	20	D6-CRTE-19.00	23	D5-CSTEI-18.50	24	D6-CSTEI-18.50	30
60	D5-CRFL-21.00	21	D6-CRFL-21.00	25	D5-CSTEI-20.50	26	D6-CSTEI-20.50	32
72	D5-CRFL-25.00	26	D6-CRFL-25.00	30	D5-CSTEI-24.50	34	D6-CSTEI-24.50	37
Continental CEMA D Returns					Continental CEMA D Rubber Disc			
Belt Width	5" Roll Diameter		6" Roll Diameter		5" Roll Diameter		6" Roll Diameter	
	Part Number	Wt	Part Number	Wt	Part Number	Wt	Part Number	Wt
18	D5-CRFL-21.00	21	D6-CRFL-21.00	25	D5-CSRI-20.50	23	D6-CSRI-20.50	27
24	D5-CRFL-27.00	27	D6-CRFL-27.00	31	D5-CSRI-26.50	27	D6-CSRI-26.50	31
30	D5-CRFL-33.00	32	D6-CRFL-33.00	38	D5-CSRI-32.50	32	D6-CSRI-32.50	36
36	D5-CRFL-39.00	37	D6-CRFL-39.00	44	D5-CSRI-38.50	36	D6-CSRI-38.50	41
42	D5-CRFL-45.00	42	D6-CRFL-45.00	50	D5-CSRI-44.50	41	D6-CSRI-44.50	46
48	D5-CRFL-51.00	47	D6-CRFL-51.00	56	D5-CSRI-50.50	45	D6-CSRI-50.50	51
54	D5-CRFL-57.00	53	D6-CRFL-57.00	63	D5-CSRI-56.50	50	D6-CSRI-56.50	56
60	D5-CRFL-63.00	58	D6-CRFL-63.00	69	D5-CSRI-62.50	54	D6-CSRI-62.50	61
72	D5-CRFL-75.00	69	D6-CRFL-75.00	82	N/A		N/A	
Continental CEMA E Trough					Continental CEMA E Impact			
Belt Width	6" Roll Diameter		7" Roll Diameter		6" Roll Diameter		7" Roll Diameter	
	Part Number	Wt	Part Number	Wt	Part Number	Wt	Part Number	Wt
36	E6-CRTE-13.00	31	E7-CRTE-13.00	35	E6-CRTEI-12.75	39	E7-CRTEI-12.75	44
42	E6-CRTE-15.00	35	E7-CRTE-15.00	40	E6-CRTEI-14.75	44	E7-CRTEI-14.75	49
48	E6-CRTE-17.75	39	E7-CRTE-17.75	43	E6-CRTEI-17.50	50	E7-CRTEI-17.50	55
54	E6-CRTE-19.75	42	E7-CRTE-19.75	47	E6-CRTEI-19.50	55	E7-CRTEI-19.50	59
60	E6-CRTE-21.75	45	E7-CRTE-21.75	51	E6-CRTEI-21.50	59	E7-CRTEI-21.50	64
72	E6-CRTE-25.75	52	E7-CRTE-25.75	59	E6-CRTEI-25.50	70	E7-CRTEI-25.50	75
84	E6-CRTE-29.75	59	E7-CRTE-29.75	67	E6-CRTEI-29.50	78	E7-CRTEI-29.50	81
96	E6-CRTE-33.75	66	E7-CRTE-33.75	74	E6-CRTEI-33.50	89	E7-CRTEI-33.50	91
Continental CEMA E Returns					Continental CEMA E Rubber Disc			
Belt Width	6" Roll Diameter		7" Roll Diameter		6" Roll Diameter		7" Roll Diameter	
	Part Number	Wt	Part Number	Wt	Part Number	Wt	Part Number	Wt
36	E6-CRFL-40.00	76	E7-CRFL-40.00	86	E6-CRRI-39.75	81	E7-CRRI-39.75	82
42	E6-CRFL-46.00	87	E7-CRFL-46.00	98	E6-CRRI-45.75	91	E7-CRRI-45.75	92
48	E6-CRFL-52.00	97	E7-CRFL-52.00	109	E6-CRRI-51.75	101	E7-CRRI-51.75	102
54	E6-CRFL-58.00	107	E7-CRFL-58.00	121	E6-CRRI-57.75	111	E7-CRRI-57.75	112
60	E6-CRFL-64.00	117	E7-CRFL-64.00	132	E6-CRRI-63.75	122	E7-CRRI-63.75	124
72	E6-CRFL-76.00	138	E7-CRFL-76.00	156	E6-CRRI-75.75	142	E7-CRRI-75.75	144
84	E6-CRFL-88.00	158	E7-CRFL-88.00	180	E6-CRRI-87.75	163	E7-CRRI-87.75	166
96	E6-CRFL-100.00	179	E7-CRFL-100.00	202	E6-CRRI-99.75	183	E7-CRRI-99.75	186

For operation & maintenance manuals, check out our website  
at <http://www.ppipella.com>, just click on Catalogs.

Subject to change without notice

FMC CEMA C Trougher						
Belt Width	4" Roll Diameter		5" Roll Diameter		6" Roll Diameter	
	Part Number	Wt	Part Number	Wt	Part Number	Wt
18	N/A	C5-FMTE-6.69	8	C6-FMTE-6.69	10	
24		C5-FMTE-8.81	10	C6-FMTE-8.81	12	
30		C5-FMTE-10.81	11	C6-FMTE-10.81	14	
36		C5-FMTE-12.81	13	C6-FMTE-12.81	16	
42		C5-FMTE-15.12	14	C6-FMTE-15.12	18	
48		C5-FMTE-17.12	16	C6-FMTE-17.12	20	
54		C5-FMTE-19.19	18	C6-FMTE-19.19	22	
60		C5-FMTE-21.19	19	C6-FMTE-21.19	24	

FMC CEMA C Returns						
Belt Width	4" Roll Diameter		5" Roll Diameter		6" Roll Diameter	
	Part Number	Wt	Part Number	Wt	Part Number	Wt
18	N/A	C5-FMFL-20.62	19	C6-FMFL-20.62	23	
24		C5-FMFL-26.62	23	C6-FMFL-26.62	29	
30		C5-FMFL-32.62	28	C6-FMFL-32.62	35	
36		C5-FMFL-38.62	33	C6-FMFL-38.62	40	
42		C5-FMFL-44.62	37	C6-FMFL-44.62	46	
48		C5-FMFL-50.62	42	C6-FMFL-50.62	52	
54		C5-FMFL-56.62	46	C6-FMFL-56.62	57	
60		C5-FMFL-62.62	51	C6-FMFL-62.62	63	

**This is a partial list of Retro Rolls® that are available. It represents the more common requested items. Contact your PPI Rep for rolls not listed here.**

**For "special" or unusual rolls, use the charts on page 18 & 19 and send this info to PPI.**

Note: Steel Rolls have Zinc Nuts on CEMA C & D Rolls as Standard. If steel nuts are desired, simply replace the FM in the part number with FS, e.g.

C5-FMTE-6.69 becomes C5-FSTE-6.69  
**(E use Steel nuts on all Rolls)**

Note: To specify 1/4" thick steel cans, add H to the beginning of the part number, e.g.

C5-FMTE-6.69 becomes HC5-FMTE-6.69

Note: To specify Plastic Sleeve over the steel cans, add PS to the end of the part number, e.g.

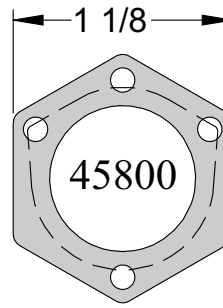
C5-FMTE-6.69 becomes C5-FMTE-6.69PS

Note: rubber disc rolls have Steel Nuts (on the following page) as standard.

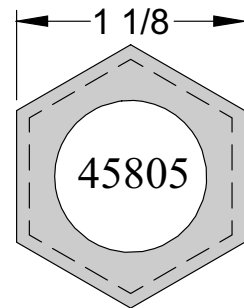
**(Zinc Nuts are not available on E Rolls)**

**(Zinc Nuts are not available on impact Rolls)**

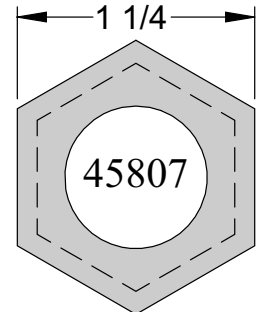
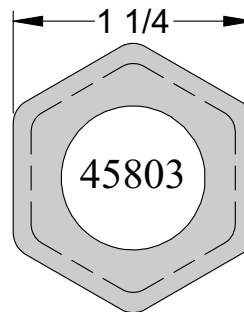
**Zinc Nut**



**Steel Nut**



**TROUGHERS**



**RETURNS**

FMC CEMA D"7000" Troughers				
Belt Width	5" Roll Diameter		6" Roll Diameter	
	Part Number	Wt	Part Number	Wt
18	D5-SSTTE-6.62	9	D6-SSTTE-6.62	12
24	D5-SSTTE-8.75	11	D6-SSTTE-8.75	14
30	D5-SSTTE-10.75	13	D6-SSTTE-10.75	16
36	D5-SSTTE-12.75	15	D6-SSTTE-12.75	18
42	D5-SSTTE-15.06	17	D6-SSTTE-15.06	21
48	D5-SSTTE-17.06	18	D6-SSTTE-17.06	23
54	D5-SSTTE-19.12	20	D6-SSTTE-19.12	25
60	D5-SSTTE-21.12	22	D6-SSTTE-21.12	27
72	D5-SSTTE-25.12	26	D6-SSTTE-25.12	31

FMC CEMA D"7000" Returns				
Belt Width	5" Roll Diameter		6" Roll Diameter	
	Part Number	Wt	Part Number	Wt
18	D5-SSTFL-20.81	21	D6-SSTFL-20.81	27
24	D5-SSTFL-26.81	27	D6-SSTFL-26.81	33
30	D5-SSTFL-32.81	32	D6-SSTFL-32.81	40
36	D5-SSTFL-38.81	37	D6-SSTFL-38.81	46
42	D5-SSTFL-44.81	42	D6-SSTFL-44.81	53
48	D5-SSTFL-50.81	47	D6-SSTFL-50.81	59
54	D5-SSTFL-56.81	52	D6-SSTFL-56.81	66
60	D5-SSTFL-62.81	58	D6-SSTFL-62.81	72
72	D5-SSTFL-74.81	70	D6-SSTFL-74.81	85

For operation & maintenance manuals, check out our website at <http://www.pipella.com>, just click on Catalogs.



# FMC Retro Rolls®

## Steel Rolls

## Rubber Disc Rolls

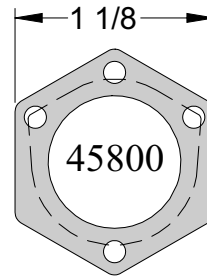
FMC CEMA D"3000" Trougher					FMC CEMA D"3000" Impact			
Belt Width	5" Roll Diameter		6" Roll Diameter		5" Roll Diameter		6" Roll Diameter	
	Part Number	Wt	Part Number	Wt	Part Number	Wt	Part Number	Wt
18	D5-FMTE-6.69	9	D6-FMTE-6.69	10	D5-FSTEI-6.19	9	D6-FSTEI-6.19	11
24	D5-FMTE-8.81	11	D6-FMTE-8.81	13	D5-FSTEI-8.19	12	D6-FSTEI-8.19	14
30	D5-FMTE-10.81	13	D6-FMTE-10.81	15	D5-FSTEI-10.19	14	D6-FSTEI-10.19	17
36	D5-FMTE-12.81	15	D6-FMTE-12.81	17	D5-FSTEI-12.19	17	D6-FSTEI-12.19	20
42	D5-FMTE-15.12	16	D6-FMTE-15.12	19	D5-FSTEI-14.50	20	D6-FSTEI-14.50	24
48	D5-FMTE-17.12	18	D6-FMTE-17.12	21	D5-FSTEI-16.50	22	D6-FSTEI-16.50	26
54	D5-FMTE-19.19	20	D6-FMTE-19.19	23	D5-FSTEI-18.56	25	D6-FSTEI-18.56	30
60	D5-FMTE-21.19	22	D6-FMTE-21.19	25	D5-FSTEI-20.56	27	D6-FSTEI-20.56	34
72	D5-FMTE-25.19	26	D6-FMTE-25.19	31	N/A		N/A	
FMC CEMA D"3000" Returns					FMC CEMA D"3000" Rubber Disc			
Belt Width	5" Roll Diameter		6" Roll Diameter		5" Roll Diameter		6" Roll Diameter	
	Part Number	Wt	Part Number	Wt	Part Number	Wt	Part Number	Wt
18	D5-FMFL-20.62	22	D6-FMFL-20.62	25	D5-FSRI-20.75	28	D6-FSRI-20.75	32
24	D5-FMFL-26.62	27	D6-FMFL-26.62	31	D5-FSRI-26.75	34	D6-FSRI-26.75	39
30	D5-FMFL-32.62	32	D6-FMFL-32.62	38	D5-FSRI-32.75	40	D6-FSRI-32.75	45
36	D5-FMFL-38.62	37	D6-FMFL-38.62	44	D5-FSRI-38.75	47	D6-FSRI-38.75	52
42	D5-FMFL-44.62	42	D6-FMFL-44.62	50	D5-FSRI-44.75	53	D6-FSRI-44.75	58
48	D5-FMFL-50.62	47	D6-FMFL-50.62	56	D5-FSRI-50.75	59	D6-FSRI-50.75	65
54	D5-FMFL-56.62	53	D6-FMFL-56.62	63	D5-FSRI-56.75	65	D6-FSRI-56.75	71
60	D5-FMFL-62.62	58	D6-FMFL-62.62	69	D5-FSRI-62.75	71	D6-FSRI-62.75	78
72	C5-FMFL-74.62	69	D6-FMFL-74.62	82	D5-FSRI-74.75	84	D6-FSRI-74.75	92
FMC CEMA E Trougher					FMC CEMA E Impact			
Belt Width	6" Roll Diameter		7" Roll Diameter		6" Roll Diameter		7" Roll Diameter	
	Part Number	Wt	Part Number	Wt	Part Number	Wt	Part Number	Wt
36	E6-FMTE-13.56	32	E7-FMTE-13.56	35	E6-FMTEI-13.50	43	E7-FMTEI-13.50	43
42	E6-FMTE-15.56	35	E7-FMTE-15.56	39	E6-FMTEI-15.50	47	E7-FMTEI-15.50	48
48	E6-FMTE-17.56	38	E7-FMTE-17.56	43	E6-FMTEI-17.50	53	E7-FMTEI-17.50	54
54	E6-FMTE-19.63	42	E7-FMTE-19.63	47	E6-FMTEI-19.56	58	E7-FMTEI-19.56	59
60	E6-FMTE-21.38	45	E7-FMTE-21.38	50	E6-FMTEI-21.31	62	E7-FMTEI-21.31	63
72	E6-FMTE-25.25	51	E7-FMTE-25.25	58	E6-FMTEI-25.19	71	E7-FMTEI-25.19	72
84	E6-FMTE-29.25	58	E7-FMTE-29.25	66	E6-FMTEI-29.19	81	E7-FMTEI-29.19	83
96	E6-FMTE-33.25	65	E7-FMTE-33.25	73	E6-FMTEI-33.19	91	E7-FMTEI-33.19	94
FMC CEMA E Returns					FMC CEMA E Rubber Disc			
Belt Width	6" Roll Diameter		7" Roll Diameter		6" Roll Diameter		7" Roll Diameter	
	Part Number	Wt	Part Number	Wt	Part Number	Wt	Part Number	Wt
36	E6-FMFL-39.88	76	E7-FMFL-39.88	86	E6-FMRI-39.69	81	E7-FMRI-39.69	83
42	E6-FMFL-45.88	87	E7-FMFL-45.88	98	E6-FMRI-45.69	91	E7-FMRI-45.69	93
48	E6-FMFL-51.88	97	E7-FMFL-51.88	109	E6-FMRI-51.69	101	E7-FMRI-51.69	103
54	E6-FMFL-57.88	107	E7-FMFL-57.88	121	E6-FMRI-57.69	111	E7-FMRI-57.69	113
60	E6-FMFL-63.88	117	E7-FMFL-63.88	132	E6-FMRI-63.69	121	E7-FMRI-63.69	123
72	E6-FMFL-75.88	138	E7-FMFL-75.88	155	E6-FMRI-75.69	141	E7-FMRI-75.69	143
84	E6-FMFL-87.88	158	E7-FMFL-87.88	179	E6-FMRI-87.69	164	E7-FMRI-87.69	166
96	E6-FMFL-99.88	178	E7-FMFL-99.88	202	E6-FMRI-99.69	184	E7-FMRI-99.69	186

Note: FMC E Retro Return Rolls are available with double hex adapter nut.  
The designation is FX - such as E6-FXFL-39.88

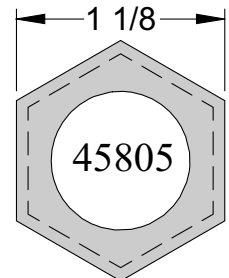
Subject to change without notice

## Goodman CEMA C Trougher

Belt Width	4" Roll Diameter		5" Roll Diameter		6" Roll Diameter	
	Part Number	Wt	Part Number	Wt	Part Number	Wt
18	C4-GMTE-7.00	6	C5-GMTE-7.00	8	C6-GMTE-7.00	10
24	C4-GMTE-9.13	8	C5-GMTE-9.13	10	C6-GMTE-9.13	12
30	C4-GMTE-11.19	9	C5-GMTE-11.19	11	C6-GMTE-11.19	14
36	C4-GMTE-13.25	11	C5-GMTE-13.25	13	C6-GMTE-13.25	16
42	C4-GMTE-15.38	12	C5-GMTE-15.38	14	C6-GMTE-15.38	18
48	C4-GMTE-17.44	13	C5-GMTE-17.44	16	C6-GMTE-17.44	20
54	C4-GMTE-19.50	14	C5-GMTE-19.50	18	C6-GMTE-19.50	22
60	C4-GMTE-21.63	16	C5-GMTE-21.63	19	C6-GMTE-21.63	24



**Zinc Nut**



**Steel Nut**

## Goodman CEMA C Returns

Belt Width	4" Roll Diameter		5" Roll Diameter		6" Roll Diameter	
	Part Number	Wt	Part Number	Wt	Part Number	Wt
18	C4-GMFL-21.00	16	C5-GMFL-21.00	19	C6-GMFL-21.00	24
24	C4-GMFL-27.00	19	C5-GMFL-27.00	24	C6-GMFL-27.00	29
30	C4-GMFL-33.00	23	C5-GMFL-33.00	28	C6-GMFL-33.00	35
36	C4-GMFL-39.00	27	C5-GMFL-39.00	33	C6-GMFL-39.00	41
42	C4-GMFL-45.00	31	C5-GMFL-45.00	37	C6-GMFL-45.00	46
48	C4-GMFL-51.00	35	C5-GMFL-51.00	42	C6-GMFL-51.00	52
54	C4-GMFL-57.00	38	C5-GMFL-57.00	47	C6-GMFL-57.00	58
60	C4-GMFL-63.00	42	C5-GMFL-63.00	51	C6-GMFL-63.00	63

Note: Steel Rolls have Zinc Nuts on CEMA C & D Rolls as Standard. If steel nuts are desired, simply replace the GM in the part number with GS, e.g. D5-GMTE-7.00 becomes D5-GSTE-7.00

**(E use Steel nuts on all Rolls)**

Note: To specify 1/4" thick steel cans, add H to the beginning of the part number, e.g.

D5-GMTE-7.00 becomes HD5-GMTE-7.00

Note: To specify Plastic Sleeve over the steel cans, add PS to the end of the part number, e.g.

D5-GMTE-7.00 becomes D5-GMTE-7.00PS

Note: rubber disc rolls have Steel Nuts (on the following page) as standard.

**(Zinc Nuts are not available on E Rolls)**

**(Zinc Nuts are not available on impact Rolls)**

***This is a partial list of Retro Rolls® that are available. It represents the more common requested items. Contact your PPI Rep for rolls not listed here.***

***For "special" or unusual rolls, use the charts on page 18 & 19 and send this info to Precision Pulley & Idler.***

For operation & maintenance manuals, check out our website at <http://www.pipella.com>, just click on Catalogs.

Subject to change without notice





# Goodman Retro Rolls®

## Steel Rolls

## Rubber Disc Rolls

Goodman CEMA D Trougher					Goodman CEMA D Impact			
Belt Width	5" Roll Diameter		6" Roll Diameter		5" Roll Diameter		6" Roll Diameter	
	Part Number	Wt	Part Number	Wt	Part Number	Wt	Part Number	Wt
18	D5-GMTE-7.00	9	D6-GMTE-7.00	10	D5-GSTEI-7.00	9	D6-GSTEI-7.00	11
24	D5-GMTE-9.13	12	D6-GMTE-9.13	13	D5-GSTEI-9.13	12	D6-GSTEI-9.13	14
30	D5-GMTE-11.19	13	D6-GMTE-11.19	15	D5-GSTEI-11.19	15	D6-GSTEI-11.19	18
36	D5-GMTE-13.25	15	D6-GMTE-13.25	17	D5-GSTEI-13.25	17	D6-GSTEI-13.25	20
42	D5-GMTE-15.38	16	D6-GMTE-15.38	19	D5-GSTEI-15.38	20	D6-GSTEI-15.38	24
48	D5-GMTE-17.44	18	D6-GMTE-17.44	21	D5-GSTEI-17.44	22	D6-GSTEI-17.44	26
54	D5-GMTE-19.50	20	D6-GMTE-19.50	23	D5-GSTEI-19.50	25	D6-GSTEI-19.50	30
60	D5-GMTE-21.63	22	D6-GMTE-21.63	26	D5-GSTEI-21.63	27	D6-GSTEI-21.63	34
72	D5-GMTE-25.75	27	D6-GMTE-25.75	31	N/A		N/A	
Goodman CEMA D Returns					Goodman CEMA D Rubber Disc			
Belt Width	5" Roll Diameter		6" Roll Diameter		5" Roll Diameter		6" Roll Diameter	
	Part Number	Wt	Part Number	Wt	Part Number	Wt	Part Number	Wt
18	D5-GMFL-21.00	22	D6-GMFL-21.00	25	D5-GSRI-21.00	23	D6-GSRI-21.00	27
24	D5-GMFL-27.00	27	D6-GMFL-27.00	32	D5-GSRI-27.00	27	D6-GSRI-27.00	32
30	D5-GMFL-33.00	32	D6-GMFL-33.00	38	D5-GSRI-33.00	32	D6-GSRI-33.00	36
36	D5-GMFL-39.00	37	D6-GMFL-39.00	44	D5-GSRI-39.00	36	D6-GSRI-39.00	41
42	D5-GMFL-45.00	42	D6-GMFL-45.00	50	D5-GSRI-45.00	41	D6-GSRI-45.00	46
48	D5-GMFL-51.00	48	D6-GMFL-51.00	57	D5-GSRI-51.00	45	D6-GSRI-51.00	51
54	D5-GMFL-57.00	53	D6-GMFL-57.00	63	D5-GSRI-57.00	50	D6-GSRI-57.00	56
60	D5-GMFL-63.00	58	D6-GMFL-63.00	69	D5-GSRI-63.00	55	D6-GSRI-63.00	61
72	D5-GMFL-75.00	71	D6-GMFL-75.00	83	N/A		N/A	
Goodman CEMA E Trougher					Goodman CEMA E Impact			
Belt Width	6" Roll Diameter		7" Roll Diameter		6" Roll Diameter		7" Roll Diameter	
	Part Number	Wt	Part Number	Wt	Part Number	Wt	Part Number	Wt
36	E6-GMTE-13.75	32	E7-GMTE-13.75	36	E6-GMTEI-13.75	39	E7-GMTEI-13.75	44
42	E6-GMTE-15.75	35	E7-GMTE-15.75	40	E6-GMTEI-15.75	44	E7-GMTEI-15.75	49
48	E6-GMTE-17.75	39	E7-GMTE-17.75	44	E6-GMTEI-17.75	50	E7-GMTEI-17.75	55
54	E6-GMTE-19.75	42	E7-GMTE-19.75	47	E6-GMTEI-19.75	55	E7-GMTEI-19.75	59
60	E6-GMTE-21.75	46	E7-GMTE-21.75	51	E6-GMTEI-21.75	59	E7-GMTEI-21.75	64
72	E6-GMTE-25.75	52	E7-GMTE-25.75	59	E6-GMTEI-25.75	70	E7-GMTEI-25.75	75
84	E6-GMTE-29.75	59	E7-GMTE-29.75	67	E6-GMTEI-29.75	80	E7-GMTEI-29.75	86
96	E6-GMTE-33.75	66	E7-GMTE-33.75	74	E6-GMTEI-33.75	90	E7-GMTEI-33.75	95
Goodman CEMA E Returns					Goodman CEMA E Rubber Disc			
Belt Width	6" Roll Diameter		7" Roll Diameter		6" Roll Diameter		7" Roll Diameter	
	Part Number	Wt	Part Number	Wt	Part Number	Wt	Part Number	Wt
36	E6-GMFL-40.00	74	E6-GMFL-40.00	86	E6-GMRI-40.00	81	E7-GMRI-40.00	82
42	E6-GMFL-46.00	87	E6-GMFL-46.00	98	E6-GMRI-46.00	91	E7-GMRI-46.00	92
48	E6-GMFL-52.00	97	E6-GMFL-52.00	109	E6-GMRI-52.00	101	E7-GMRI-52.00	102
54	E6-GMFL-58.00	107	E6-GMFL-58.00	121	E6-GMRI-58.00	111	E7-GMRI-58.00	113
60	E6-GMFL-64.00	117	E6-GMFL-64.00	133	E6-GMRI-64.00	122	E7-GMRI-64.00	124
72	E6-GMFL-76.00	138	E6-GMFL-76.00	156	E6-GMRI-76.00	142	E7-GMRI-76.00	144
84	E6-GMFL-88.00	158	E6-GMFL-88.00	179	E6-GMRI-88.00	163	E7-GMRI-88.00	166
96	E6-GMFL-100.00	179	E6-GMFL-100.00	202	E6-GMRI-100.00	183	E7-GMRI-100.00	186

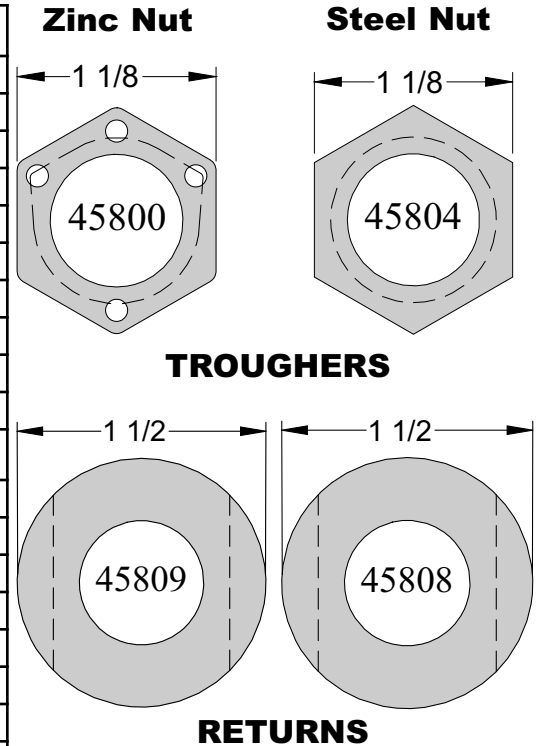
For operation & maintenance manuals, check out our website  
at <http://www.ppipella.com>, just click on Catalogs.

Subject to change without notice

Hewitt-Robins CEMA C Trougher						
Belt Width	4" Roll Diameter		5" Roll Diameter		6" Roll Diameter	
	Part Number	Wt	Part Number	Wt	Part Number	Wt
18	C4-HRTE-7.00	7	C5-HRTE-7.00	8	C6-HRTE-7.00	10
24	C4-HRTE-9.00	8	C5-HRTE-9.00	10	C6-HRTE-9.00	12
30	C4-HRTE-11.00	9	C5-HRTE-11.00	11	C6-HRTE-11.00	14
36	C4-HRTE-13.00	11	C5-HRTE-13.00	13	C6-HRTE-13.00	16
42	C4-HRTE-15.00	12	C5-HRTE-15.00	14	C6-HRTE-15.00	18
48	C4-HRTE-17.00	13	C5-HRTE-17.00	16	C6-HRTE-17.00	20
54	C4-HRTE-19.00	14	C5-HRTE-19.00	18	C6-HRTE-19.00	22
60	C4-HRTE-21.00	16	C5-HRTE-21.00	19	C6-HRTE-21.00	24

Hewitt-Robins CEMA C Returns						
Belt Width	4" Roll Diameter		5" Roll Diameter		6" Roll Diameter	
	Part Number	Wt	Part Number	Wt	Part Number	Wt
18	N/A		C5-HZFL-21.00	20	C6-HZFL-21.00	26
24			C5-HZFL-27.00	24	C6-HZFL-27.00	30
30			C5-HZFL-33.00	29	C6-HZFL-33.00	35
36			C5-HZFL-39.00	34	C6-HZFL-39.00	41
42			C5-HZFL-45.00	38	C6-HZFL-45.00	47
48			C5-HZFL-51.00	42	C6-HZFL-51.00	52
54			C5-HZFL-57.00	47	C6-HZFL-57.00	58
60			C5-HZFL-63.00	52	C6-HZFL-63.00	64



Note: Steel Rolls have Zinc Nuts on CEMA C & D Rolls as Standard. If steel nuts are desired, simply replace the HR in the part number with HS, e.g. D5-HRTE-7.13 becomes D5-HSTE-7.13  
**(E use Steel nuts on all Rolls)**

Note: To specify 1/4" thick steel cans, add H to the beginning of the part number, e.g. D5-HRTE-7.13 becomes HD5-HRTE-7.13

Note: To specify Plastic Sleeve over the steel cans, add PS to the end of the part number, e.g. D5-HRTE-7.13 becomes D5-HRTE-7.13PS

Note: rubber disc rolls & returns have Steel Nuts as standard.

**(Zinc Nuts are not available on E Rolls)**  
**(Zinc Nuts are not available on impact Rolls)**

***This is a partial list of Retro Rolls® that are available. It represents the more common requested items. Contact your PPI Rep for rolls not listed here.***

***For "special" or unusual rolls, use the charts on page 18 & 19 and send this info to Precision Pulley & Idler.***



# Hewitt-Robins Retro Rolls®

## Steel Rolls

## Rubber Disc Rolls

Hewitt-Robins CEMA D Trougher					Hewitt-Robins CEMA D Impact			
Belt Width	5" Roll Diameter		6" Roll Diameter		5" Roll Diameter		6" Roll Diameter	
	Part Number	Wt	Part Number	Wt	Part Number	Wt	Part Number	Wt
18	D5-HRTE-7.00	10	D5-HRTE-7.00	11	D5-HSTEI-6.50	10	D6-HSTEI-6.50	12
24	D5-HRTE-9.00	11	D5-HRTE-9.00	13	D5-HSTEI-8.50	12	D6-HSTEI-8.50	15
30	D5-HRTE-11.00	13	D5-HRTE-11.00	15	D5-HSTEI-10.50	15	D6-HSTEI-10.50	18
36	D5-HRTE-13.00	15	D5-HRTE-13.00	17	D5-HSTEI-12.50	17	D6-HSTEI-12.50	20
42	D5-HRTE-15.00	16	D5-HRTE-15.00	19	D5-HSTEI-14.50	20	D6-HSTEI-14.50	24
48	D5-HRTE-17.00	18	D5-HRTE-17.00	21	D5-HSTEI-16.50	22	D6-HSTEI-16.50	26
54	D5-HRTE-19.00	20	D5-HRTE-19.00	23	D5-HSTEI-18.50	25	D6-HSTEI-18.50	30
60	D5-HRTE-21.00	22	D5-HRTE-21.00	26	D5-HSTEI-20.50	27	D6-HSTEI-20.50	34
Hewitt-Robins CEMA D Returns					Hewitt-Robins CEMA D Rubber Disc			
Belt Width	5" Roll Diameter		6" Roll Diameter		5" Roll Diameter		6" Roll Diameter	
	Part Number	Wt	Part Number	Wt	Part Number	Wt	Part Number	Wt
18	D5-HZFL-21.00	22	D6-HZFL-21.00	26	D5-HXRI-20.50	23	D6-HXRI-20.50	27
24	D5-HZFL-27.00	27	D6-HZFL-27.00	35	D5-HXRI-26.50	28	D6-HXRI-26.50	32
30	D5-HZFL-33.00	33	D6-HZFL-33.00	39	D5-HXRI-32.50	32	D6-HXRI-32.50	37
36	D5-HZFL-39.00	38	D6-HZFL-39.00	45	D5-HXRI-38.50	37	D6-HXRI-38.50	42
42	D5-HZFL-45.00	43	D6-HZFL-45.00	51	D5-HXRI-44.50	47	D6-HXRI-44.50	47
48	D5-HZFL-51.00	48	D6-HZFL-51.00	57	D5-HXRI-50.50	46	D6-HXRI-50.50	52
54	D5-HZFL-57.00	53	D6-HZFL-57.00	64	D5-HXRI-56.50	51	D6-HXRI-56.50	56
60	D5-HZFL-63.00	58	D6-HZFL-63.00	70	D5-HXRI-62.50	55	D6-HXRI-62.50	61
Hewitt-Robins CEMA E Trougher					Hewitt-Robins CEMA E Impact			
Belt Width	6" Roll Diameter		7" Roll Diameter		6" Roll Diameter		7" Roll Diameter	
	Part Number	Wt	Part Number	Wt	Part Number	Wt	Part Number	Wt
36	E6-HRTE-13.75	32	E7-HRTE-13.75	36	E6-HRTEI-13.75	43	E7-HRTEI-13.75	44
42	E6-HRTE-15.75	36	E7-HRTE-15.75	40	E6-HRTEI-15.75	48	E7-HRTEI-15.75	49
48	E6-HRTE-17.75	39	E7-HRTE-17.75	44	E6-HRTEI-17.75	54	E7-HRTEI-17.75	55
54	E6-HRTE-19.75	42	E7-HRTE-19.75	48	E6-HRTEI-19.75	58	E7-HRTEI-19.75	60
60	E6-HRTE-21.75	46	E7-HRTE-21.75	51	E6-HRTEI-21.75	63	E7-HRTEI-21.75	65
72	E6-HRTE-25.75	53	E7-HRTE-25.75	59	E6-HRTEI-25.75	73	E7-HRTEI-25.75	74
84	E6-HRTE-29.75	59	E7-HRTE-29.75	67	E6-HRTEI-29.75	84	E7-HRTEI-29.75	86
96	E6-HRTE-33.75	66	E7-HRTE-33.75	75	E6-HRTEI-33.75	93	E7-HRTEI-33.75	95
Hewitt-Robins CEMA E Returns					Hewitt-Robins CEMA E Rubber Disc			
Belt Width	6" Roll Diameter		7" Roll Diameter		6" Roll Diameter		7" Roll Diameter	
	Part Number	Wt	Part Number	Wt	Part Number	Wt	Part Number	Wt
36	E6-HRFL-40.00	90	E7-HRFL-40.00	87	E6-HRRI-35.50	81	E7-HRRI-35.50	82
42	E6-HRFL-46.00	87	E7-HRFL-46.00	98	E6-HRRI-41.50	91	E7-HRRI-41.50	93
48	E6-HRFL-52.00	97	E7-HRFL-52.00	110	E6-HRRI-47.50	101	E7-HRRI-47.50	103
54	E6-HRFL-58.00	107	E7-HRFL-58.00	121	E6-HRRI-53.50	111	E7-HRRI-53.50	113
60	E6-HRFL-64.00	118	E7-HRFL-64.00	133	E6-HRRI-59.50	122	E7-HRRI-59.50	124
72	E6-HRFL-76.00	138	E7-HRFL-76.00	156	E6-HRRI-71.50	142	E7-HRRI-71.50	144
84	E6-HRFL-88.00	158	E7-HRFL-88.00	179	E6-HRRI-83.50	163	E7-HRRI-83.50	166
96	E6-HRFL-100.00	179	E7-HRFL-100.00	202	E6-HRRI-95.50	183	E7-HRRI-95.50	186

For operation & maintenance manuals, check out our website at <http://www.ppipella.com>, just click on Catalogs.

Subject to change without notice

## Luff CEMA C Trougher

Belt Width	4" Roll Diameter		5" Roll Diameter		6" Roll Diameter	
	Part Number	Wt	Part Number	Wt	Part Number	Wt
18	C4-LUTE-6.75	7	C5-LUTE-6.75	8	C6-LUTE-6.75	10
24	C4-LUTE-8.75	9	C5-LUTE-8.75	10	C6-LUTE-8.75	12
30	C4-LUTE-10.75	10	C5-LUTE-10.75	11	C6-LUTE-10.75	14
36	C4-LUTE-12.75	11	C5-LUTE-12.75	13	C6-LUTE-12.75	16
42	C4-LUTE-14.75	12	C5-LUTE-14.75	14	C6-LUTE-14.75	18
48	C4-LUTE-16.75	14	C5-LUTE-16.75	16	C6-LUTE-16.75	20
54	C4-LUTE-18.75	15	C5-LUTE-18.75	17	C6-LUTE-18.75	22
60	C4-LUTE-20.75	16	C5-LUTE-20.75	19	C6-LUTE-20.75	24

## Luff CEMA C Returns

Belt Width	4" Roll Diameter		5" Roll Diameter		6" Roll Diameter	
	Part Number	Wt	Part Number	Wt	Part Number	Wt
18	C4-LUFL-21.75	18	C5-LUFL-21.75	21	C6-LUFL-21.75	26
24	C4-LUFL-27.75	22	C5-LUFL-27.75	25	C6-LUFL-27.75	32
30	C4-LUFL-33.75	25	C5-LUFL-33.75	30	C6-LUFL-33.75	37
36	C4-LUFL-39.75	29	C5-LUFL-39.75	35	C6-LUFL-39.75	43
42	C4-LUFL-45.75	33	C5-LUFL-45.75	39	C6-LUFL-45.75	49
48	C4-LUFL-51.75	37	C5-LUFL-51.75	44	C6-LUFL-51.75	54
54	C4-LUFL-57.75	41	C5-LUFL-57.75	48	C6-LUFL-57.75	60
60	C4-LUFL-63.75	45	C5-LUFL-63.75	53	C6-LUFL-63.75	66

## Luff CEMA D Trougher

Belt Width	5" Roll Diameter		6" Roll Diameter	
	Part Number	Wt	Part Number	Wt
18	D5-LUTE-6.75	10	D6-LUTE-6.75	12
24	D5-LUTE-8.75	11	D6-LUTE-8.75	14
30	D5-LUTE-10.75	13	D6-LUTE-10.75	16
36	D5-LUTE-12.75	15	D6-LUTE-12.75	18
42	D5-LUTE-14.75	17	D6-LUTE-14.75	20
48	D5-LUTE-16.75	18	D6-LUTE-16.75	22
54	D5-LUTE-18.75	20	D6-LUTE-18.75	24
60	D5-LUTE-20.75	22	D6-LUTE-20.75	26

## Luff CEMA D Returns

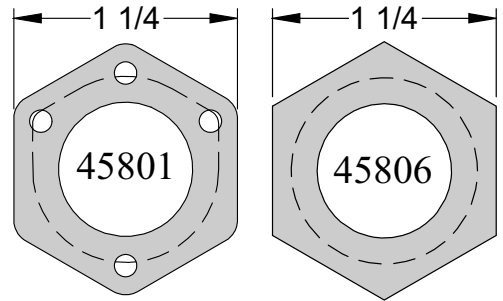
Belt Width	5" Roll Diameter		6" Roll Diameter	
	Part Number	Wt	Part Number	Wt
18	D5-LUFL-21.75	24	D6-LUFL-21.75	29
24	D5-LUFL-27.75	11	D6-LUFL-27.75	35
30	D5-LUFL-33.75	34	D6-LUFL-33.75	42
36	D5-LUFL-39.75	39	D6-LUFL-39.75	48
42	D5-LUFL-45.75	45	D6-LUFL-45.75	54
48	D5-LUFL-51.75	50	D6-LUFL-51.75	60
54	D5-LUFL-57.75	55	D6-LUFL-57.75	67
60	D5-LUFL-63.75	60	D6-LUFL-63.75	73

***This is a partial list of Retro Rolls® that are available. It represents the more common requested items. Contact your PPI Rep for rolls not listed here.***

***For "special" or unusual rolls, use the charts on page 18 & 19 and send this info to Precision Pulley & Idler.***

For operation & maintenance manuals, check out our website at <http://www.ppipella.com>, just click on Catalogs.

Rexnord CEMA C Trougher						
Belt Width	4" Roll Diameter		5" Roll Diameter		6" Roll Diameter	
	Part Number	Wt	Part Number	Wt	Part Number	Wt
18	N/A		C5-RXTE-7.00	8	C6-RXTE-7.00	10
24			C5-RXTE-9.00	10	C6-RXTE-9.00	12
30			C5-RXTE-11.00	11	C6-RXTE-11.00	14
36			C5-RXTE-13.00	13	C6-RXTE-13.00	16
42			C5-RXTE-15.00	14	C6-RXTE-15.00	18
48			C5-RXTE-17.00	16	C6-RXTE-17.00	20
54			C5-RXTE-19.00	17	C6-RXTE-19.00	21
60			C5-RXFL-21.00	19	C6-RXFL-21.00	29



**Zinc Nut**

**Steel Nut**

Rexnord CEMA C Returns						
Belt Width	4" Roll Diameter		5" Roll Diameter		6" Roll Diameter	
	Part Number	Wt	Part Number	Wt	Part Number	Wt
18	N/A		C5-RXFL-21.00	19	C6-RXFL-21.00	29
24			C5-RXFL-27.00	24	C6-RXFL-27.00	29
30			C5-RXFL-33.00	28	C6-RXFL-33.00	35
36			C5-RXFL-39.00	33	C6-RXFL-39.00	41
42			C5-RXFL-45.00	40	C6-RXFL-45.00	46
48			C5-RXFL-51.00	42	C6-RXFL-51.00	52
54			C5-RXFL-57.00	47	C6-RXFL-57.00	58
60			C5-RXFL-63.00	51	C6-RXFL-63.00	63

*RX is the designation for zinc nuts. To specify steel nuts, replace it with RS (Zinc Nuts are not available on impact Rolls, TEI)*

Rexnord CEMA D Trougher					Rexnord CEMA D Impact			
Belt Width	5" Roll Diameter		6" Roll Diameter		5" Roll Diameter		6" Roll Diameter	
	Part Number	Wt	Part Number	Wt	Part Number	Wt	Part Number	Wt
18	D5-RXTE-7.00	9	D6-RXTE-7.00	11	D5-RSTEI-7.00	9	D6-RSTEI-7.00	11
24	D5-RXTE-9.00	11	D6-RXTE-9.00	13	D5-RSTEI-9.00	12	D6-RSTEI-9.00	14
30	D5-RXTE-11.00	13	D6-RXTE-11.00	15	D5-RSTEI-11.00	14	D6-RSTEI-11.00	17
36	D5-RXTE-13.00	15	D6-RXTE-13.00	17	D5-RSTEI-13.00	17	D6-RSTEI-13.00	20
42	D5-RXTE-15.00	16	D6-RXTE-15.00	19	D5-RSTEI-15.00	20	D6-RSTEI-15.00	24
48	D5-RXTE-17.00	18	D6-RXTE-17.00	21	D5-RSTEI-17.00	22	D6-RSTEI-17.00	26
54	D5-RXTE-19.00	20	D6-RXTE-19.00	23	D5-RSTEI-19.00	24	D6-RSTEI-19.00	30
60	D5-RXFL-21.00	21	D6-RXFL-21.00	25	D5-RSTEI-21.00	26	D6-RSTEI-21.00	32

Rexnord CEMA D Returns					Rexnord CEMA D Rubber Disc			
Belt Width	5" Roll Diameter		6" Roll Diameter		5" Roll Diameter		6" Roll Diameter	
	Part Number	Wt	Part Number	Wt	Part Number	Wt	Part Number	Wt
18	D5-RXFL-21.00	21	D6-RXFL-21.00	25	D5-RSRI-21.00	23	D6-RSRI-21.00	27
24	D5-RXFL-27.00	27	D6-RXFL-27.00	31	D5-RSRI-27.00	27	D6-RSRI-27.00	31
30	D5-RXFL-33.00	32	D6-RXFL-33.00	38	D5-RSRI-33.00	32	D6-RSRI-33.00	36
36	D5-RXFL-39.00	37	D6-RXFL-39.00	44	D5-RSRI-39.00	36	D6-RSRI-39.00	41
42	D5-RXFL-45.00	42	D6-RXFL-45.00	50	D5-RSRI-45.00	41	D6-RSRI-45.00	46
48	D5-RXFL-51.00	47	D6-RXFL-51.00	56	D5-RSRI-51.00	45	D6-RSRI-51.00	51
54	D5-RXFL-57.00	53	D6-RXFL-57.00	63	D5-RSRI-57.00	50	D6-RSRI-57.00	56
60	D5-RXFL-63.00	58	D6-RXFL-63.00	69	D5-RSRI-63.00	54	D6-RSRI-63.00	61

For operation & maintenance manuals, check out our website at <http://www.ppipella.com>, just click on Catalogs.

Subject to change without notice

SA CEMA C Trougher						
Belt Width	4" Roll Diameter		5" Roll Diameter		6" Roll Diameter	
	Part Number	Wt	Part Number	Wt	Part Number	Wt
18	N/A		C5-SATE-6.88	8	C6-SATE-6.88	11
24		C5-SATE-8.94	10	C6-SATE-8.94	13	
30		C5-SATE-11.00	12	C6-SATE-11.00	14	
36		C5-SATE-13.13	13	C6-SATE-13.13	16	
42		C5-SATE-15.18	15	C6-SATE-15.18	18	
48		C5-SATE-17.25	16	C6-SATE-17.25	20	
54		C5-SATE-19.31	18	C6-SATE-19.31	22	
60		C5-SATE-21.44	20	C6-SATE-21.44	24	

SA CEMA C Returns						
Belt Width	4" Roll Diameter		5" Roll Diameter		6" Roll Diameter	
	Part Number	Wt	Part Number	Wt	Part Number	Wt
18	N/A		C5-SAFL-23.25	21	C6-SAFL-23.25	26
24		C5-SAFL-29.25	25	C6-SAFL-29.25	32	
30		C5-SAFL-35.25	30	C6-SAFL-35.25	37	
36		C5-SAFL-41.25	35	C6-SAFL-41.25	43	
42		C5-SAFL-47.25	39	C6-SAFL-47.25	47	
48		C5-SAFL-53.25	44	C6-SAFL-53.25	52	
54		C5-SAFL-59.25	48	C6-SAFL-59.25	60	
60		C5-SAFL-65.25	53	C6-SAFL-65.25	66	

***This is a partial list of Retro Rolls® that are available. It represents the more common requested items. Contact your PPI Rep for rolls not listed here.***

***For "special" or unusual rolls, use the charts on page 18 & 19 and send this info to Precision Pulley & Idler.***

SA CEMA D Trougher				
Belt Width	5" Roll Diameter		6" Roll Diameter	
	Part Number	Wt	Part Number	Wt
18	D5-SATE-6.88	10	D6-SATE-6.88	11
24	D5-SATE-8.94	12	D6-SATE-8.94	14
30	D5-SATE-11.00	13	D6-SATE-11.00	16
36	D5-SATE-13.13	15	D6-SATE-13.13	18
42	D5-SATE-15.18	17	D6-SATE-15.18	20
48	D5-SATE-17.25	19	D6-SATE-17.25	22
54	D5-SATE-19.31	20	D6-SATE-19.31	24
60	D5-SATE-21.44	22	D6-SATE-21.44	27

SA CEMA D Impact				
Belt Width	5" Roll Diameter		6" Roll Diameter	
	Part Number	Wt	Part Number	Wt
18	D5-SATEI-6.88	12	D6-SATEI-6.88	14
24	D5-SATEI-8.94	14	D6-SATEI-8.94	17
30	D5-SATEI-11.00	18	D6-SATEI-11.00	21
36	D5-SATEI-13.13	21	D6-SATEI-13.13	25
42	D5-SATEI-15.18	24	D6-SATEI-15.18	28
48	D5-SATEI-17.25	27	D6-SATEI-17.25	32
54	D5-SATEI-19.31	31	D6-SATEI-19.31	36
60	D5-SATEI-21.44	33	D6-SATEI-21.44	39

SA CEMA D Returns				
Belt Width	5" Roll Diameter		6" Roll Diameter	
	Part Number	Wt	Part Number	Wt
18	D5-SAFL-23.25	24	D6-SAFL-23.25	29
24	D5-SAFL-29.25	29	D6-SAFL-29.25	35
30	D5-SAFL-35.25	34	D6-SAFL-35.25	51
36	D5-SAFL-41.25	39	D6-SAFL-41.25	48
42	D5-SAFL-47.25	44	D6-SAFL-47.25	54
48	D5-SAFL-53.25	50	D6-SAFL-53.25	60
54	D5-SAFL-59.25	55	D6-SAFL-59.25	66
60	D5-SAFL-65.25	60	D6-SAFL-65.25	73

SA CEMA D Rubber Disc				
Belt Width	5" Roll Diameter		6" Roll Diameter	
	Part Number	Wt	Part Number	Wt
18	D5-SARI-21.25	30	D6-SARI-21.25	34
24	D5-SARI-27.25	37	D6-SARI-27.25	42
30	D5-SARI-33.25	43	D6-SARI-33.25	48
36	D5-SARI-39.25	49	D6-SARI-39.25	55
42	D5-SARI-45.25	56	D6-SARI-45.25	61
48	D5-SARI-51.25	62	D6-SARI-51.25	68
54	D5-SARI-57.25	68	D6-SARI-57.25	74
60	D5-SARI-63.25	74	D6-SARI-63.25	81

For operation & maintenance manuals, check out our website at <http://www.ppipella.com>, just click on Catalogs.

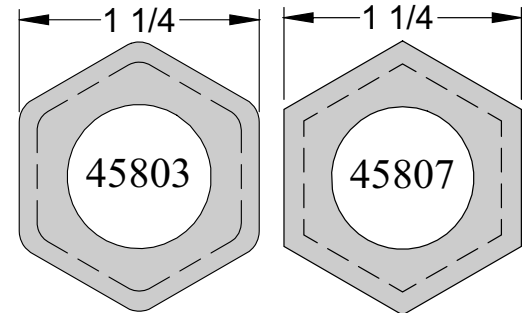
**Note: These part numbers are for the roll with the hex nut ends.**

## Superior CEMA C Trougher

Belt Width	4" Roll Diameter		5" Roll Diameter		6" Roll Diameter	
	Part Number	Wt	Part Number	Wt	Part Number	Wt
18	C4-SUTE-7.06	7	C5-SUTE-7.06	8	C6-SUTE-7.06	10
24	C4-SUTE-9.06	8	C5-SUTE-9.06	10	C6-SUTE-9.06	12
30	C4-SUTE-11.06	9	C5-SUTE-11.06	11	C6-SUTE-11.06	14
36	C4-SUTE-13.06	10	C5-SUTE-13.06	13	C6-SUTE-13.06	16
42	C4-SUTE-15.06	12	C5-SUTE-15.06	14	C6-SUTE-15.06	18
48	C4-SUTE-17.06	13	C5-SUTE-17.06	16	C6-SUTE-17.06	20
54	C4-SUTE-19.06	14	C5-SUTE-19.06	17	C6-SUTE-19.06	21
60	C4-SUTE-21.06	15	C5-SUTE-21.06	19	C6-SUTE-21.06	23

## Superior CEMA C Returns

Belt Width	4" Roll Diameter		5" Roll Diameter		6" Roll Diameter	
	Part Number	Wt	Part Number	Wt	Part Number	Wt
18	C4-SUFL-21.31	16	C5-SUFL-21.31	19	C6-SUFL-21.31	24
24	C4-SUFL-27.31	19	C5-SUFL-27.31	24	C6-SUFL-27.31	29
30	C4-SUFL-33.31	23	C5-SUFL-33.31	28	C6-SUFL-33.31	35
36	C4-SUFL-39.31	27	C5-SUFL-39.31	33	C6-SUFL-39.31	41
42	C4-SUFL-45.31	31	C5-SUFL-45.31	37	C6-SUFL-45.31	46
48	C4-SUFL-51.31	35	C5-SUFL-51.31	42	C6-SUFL-51.31	52
54	C4-SUFL-57.31	38	C5-SUFL-57.31	47	C6-SUFL-57.31	58
60	C4-SUFL-63.31	42	C5-SUFL-63.31	51	C6-SUFL-63.31	63



**Zinc Nut**

**Steel Nut**

*SU is the designation for zinc nuts. To specify steel nuts, replace it with SS. (Zinc Nuts are not available on impact Rolls, TEI)*

## Superior CEMA D Trougher

Belt Width	5" Roll Diameter		6" Roll Diameter	
	Part Number	Wt	Part Number	Wt
18	D5-SUTE-7.06	9	D6-SUTE-7.06	11
24	D5-SUTE-9.06	11	D6-SUTE-9.06	13
30	D5-SUTE-11.06	13	D6-SUTE-11.06	15
36	D5-SUTE-13.06	15	D6-SUTE-13.06	17
42	D5-SUTE-15.06	16	D6-SUTE-15.06	19
48	D5-SUTE-17.06	18	D6-SUTE-17.06	21
54	D5-SUTE-19.06	20	D6-SUTE-19.06	23
60	D5-SUTE-21.06	21	D6-SUTE-21.06	25

## Superior CEMA D Impact

Belt Width	5" Roll Diameter		6" Roll Diameter	
	Part Number	Wt	Part Number	Wt
18	D5-SSTEI-7.06	9	D6-SSTEI-7.06	11
24	D5-SSTEI-9.06	12	D6-SSTEI-9.06	14
30	D5-SSTEI-11.06	14	D6-SSTEI-11.06	17
36	D5-SSTEI-13.06	17	D6-SSTEI-13.06	20
42	D5-SSTEI-15.06	20	D6-SSTEI-15.06	24
48	D5-SSTEI-17.06	22	D6-SSTEI-17.06	26
54	D5-SSTEI-19.06	24	D6-SSTEI-19.06	30
60	D5-SSTEI-21.06	26	D6-SSTEI-21.06	32

## Superior CEMA D Returns

Belt Width	5" Roll Diameter		6" Roll Diameter	
	Part Number	Wt	Part Number	Wt
18	D5-SUFL-21.31	22	D6-SUFL-21.31	25
24	D5-SUFL-27.31	27	D6-SUFL-27.31	32
30	D5-SUFL-33.31	32	D6-SUFL-33.31	38
36	D5-SUFL-39.31	37	D6-SUFL-39.31	44
42	D5-SUFL-45.31	42	D6-SUFL-45.31	50
48	D5-SUFL-51.31	48	D6-SUFL-51.31	57
54	D5-SUFL-57.31	53	D6-SUFL-57.31	63
60	D5-SUFL-63.31	58	D6-SUFL-63.31	69

## Superior CEMA D Rubber Disc

Belt Width	5" Roll Diameter		6" Roll Diameter	
	Part Number	Wt	Part Number	Wt
18	D5-SSRI-19.88	23	D6-SSRI-19.88	27
24	D5-SSRI-26.13	27	D6-SSRI-26.13	32
30	D5-SSRI-31.75	32	D6-SSRI-31.75	36
36	D5-SSRI-38.38	36	D6-SSRI-38.38	41
42	D5-SSRI-44.00	41	D6-SSRI-44.00	46
48	D5-SSRI-50.25	45	D6-SSRI-50.25	51
54	D5-SSRI-55.88	50	D6-SSRI-55.88	56
60	D5-SSRI-62.50	55	D6-SSRI-62.50	61

For operation & maintenance manuals, check out our website at <http://www.ppipella.com>, just click on Catalogs.

Subject to change without notice



# Transall - DBT Retro Rolls®

<b>DBT CEMA D Trougher</b>				
Belt Width	5" Roll Diameter		6" Roll Diameter	
	Part Number	Wt	Part Number	Wt
18	D5-TRTE-6.63	9	D6-TRTE-6.63	13
24	D5-TRTE-8.75	11	D6-TRTE-8.75	15
30	D5-TRTE-10.81	13	D6-TRTE-10.81	17
36	D5-TRTE-12.88	15	D6-TRTE-12.88	19
42	D5-TRTE-15.00	17	D6-TRTE-15.00	21
48	D5-TRTE-17.06	18	D6-TRTE-17.06	23
54	D5-TRTE-19.13	20	D6-TRTE-19.13	25
60	D5-TRTE-21.25	22	D6-TRTE-21.25	27
<b>DBT CEMA D Returns</b>				
Belt Width	5" Roll Diameter		6" Roll Diameter	
	Part Number	Wt	Part Number	Wt
18	D5-TRFL-20.68	13	D6-TRFL-20.68	30
24	D5-TRFL-26.68	27	D6-TRFL-26.68	36
30	D5-TRFL-32.68	32	D6-TRFL-32.68	43
36	D5-TRFL-38.68	37	D6-TRFL-38.68	49
42	D5-TRFL-44.68	42	D6-TRFL-44.68	55
48	D5-TRFL-50.68	47	D6-TRFL-50.68	61
54	D5-TRFL-56.68	53	D6-TRFL-56.68	68
60	D5-TRFL-62.68	58	D6-TRFL-62.68	74

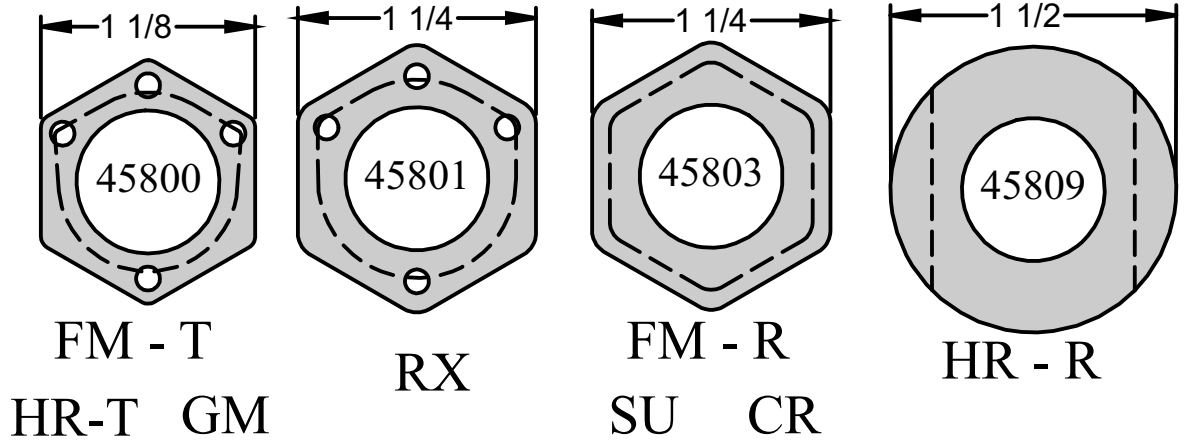
***This is a partial list of Retro Rolls® that are available. It represents the more common requested items. Contact your PPI Rep for rolls not listed here.***

***For "special" or unusual rolls, use the charts on page 18 & 19 and send this info to Precision Pulley & Idler.***

For operation & maintenance manuals, check out our website at <http://www.ppipella.com>, just click on Catalogs.

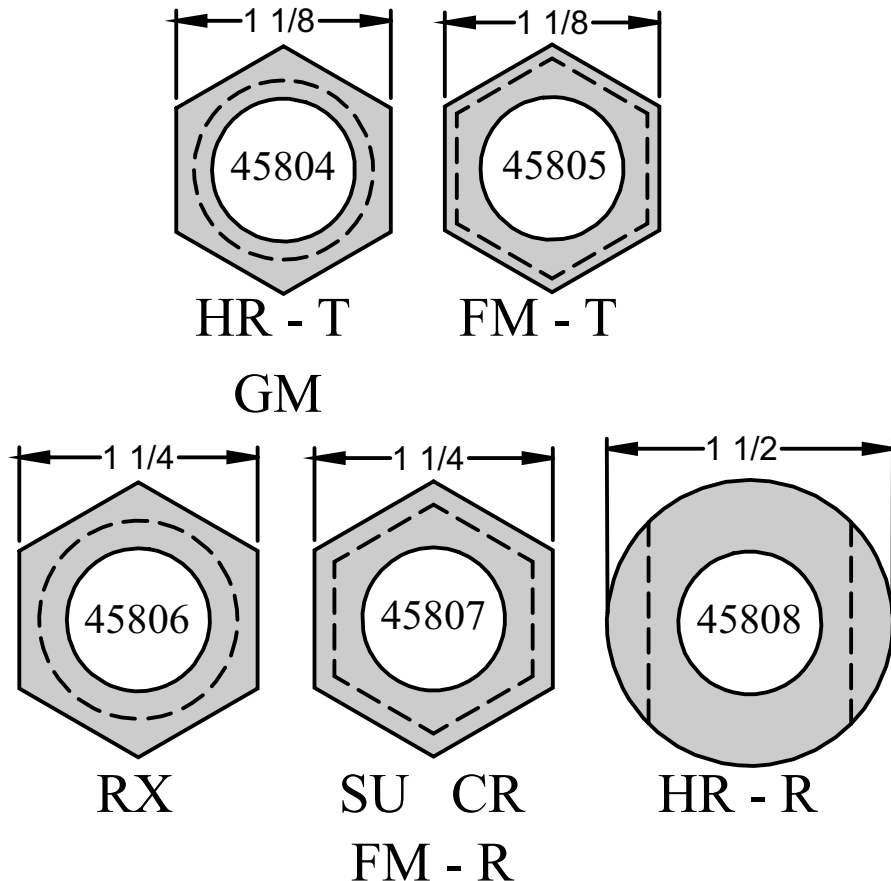


## Zinc



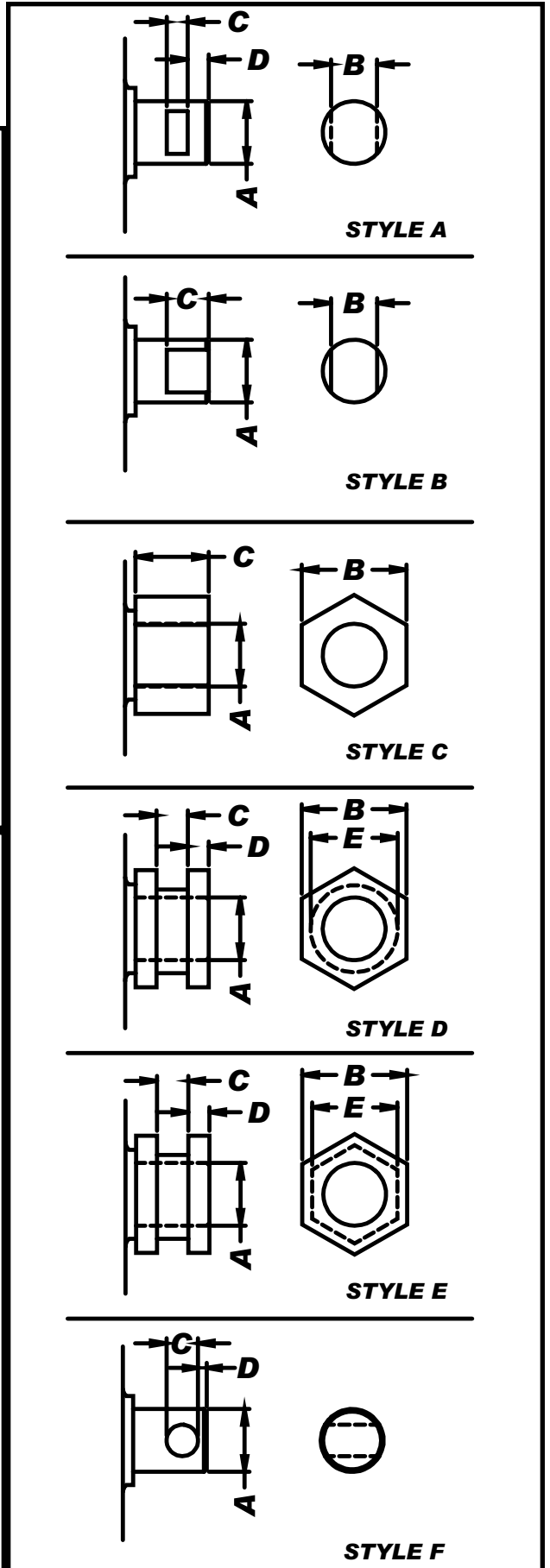
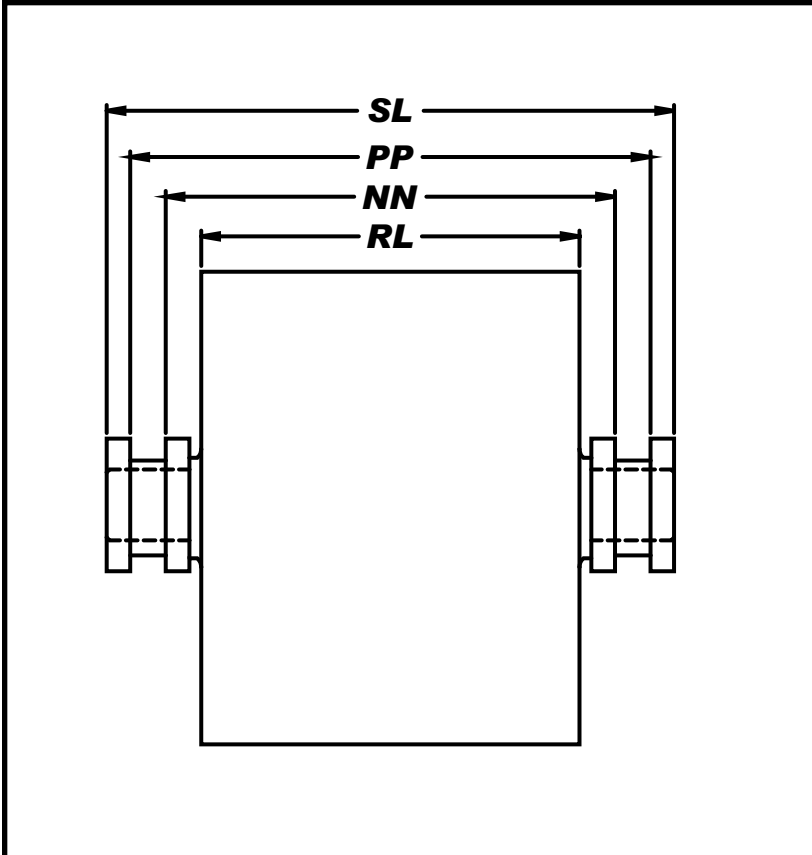
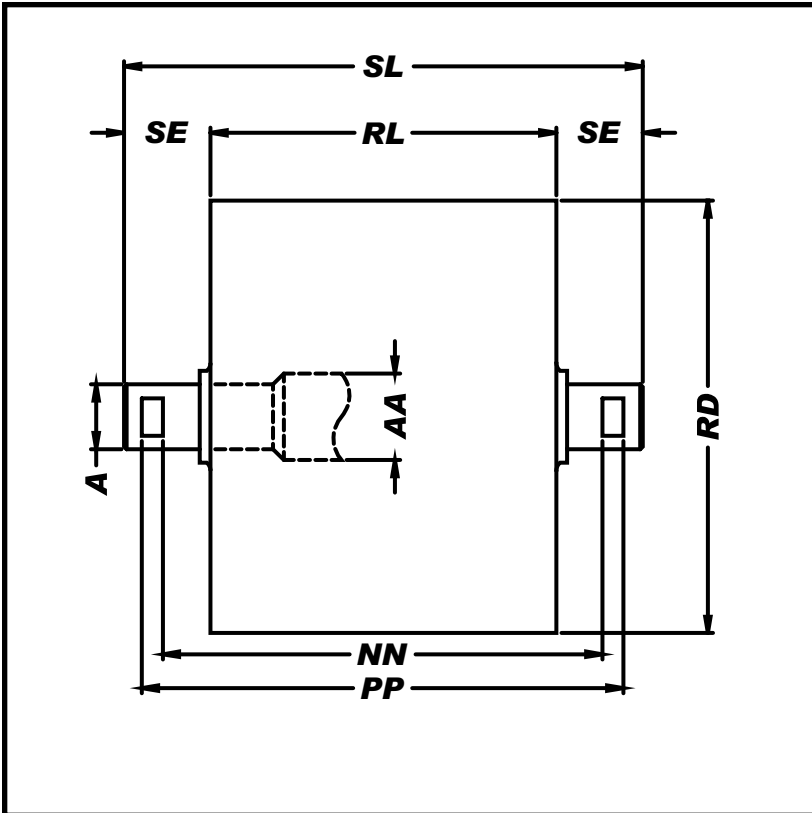

---

## Steel



For operation & maintenance manuals, check out our website at <http://www.ppipella.com>, just click on Catalogs.

Subject to change without notice



For operation & maintenance manuals, check out our website at <http://www.ppipella.com>, just click on Catalogs.



Customer \_\_\_\_\_  
 Location \_\_\_\_\_  
 Contact \_\_\_\_\_

Phone \_\_\_\_\_  
 Fax \_\_\_\_\_  
 Notes \_\_\_\_\_

<b>Shaft Style</b>							
<b>RD</b> Roll Diameter							
<b>RL</b> Roll Length							
<b>SL</b> Shaft Length							
<b>SE</b> Shaft Extension							
<b>NN</b> Nut to Nut							
<b>PP</b> Nut to Nut							
<b>A</b> Shaft Dia							
<b>AA</b> Shaft Dia							
<b>B</b> Across Flats							
<b>C</b> Broach Width							
<b>D</b> Flange Width							
<b>E</b> Minor Nut Width							