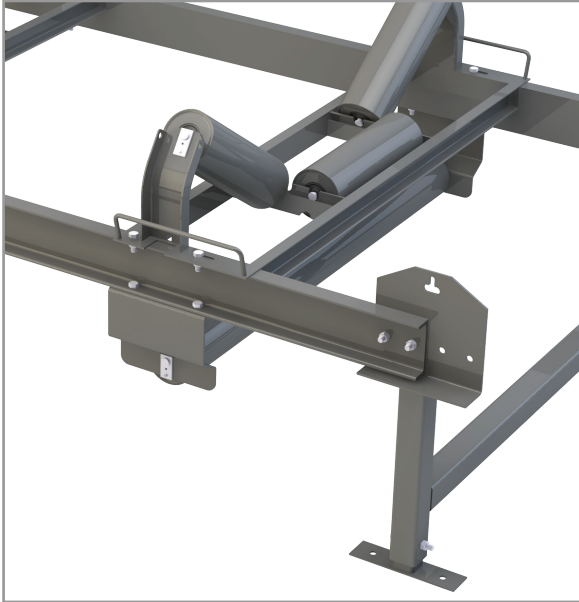


PPI is proud to offer conveyor structure to accompany our variety of loading capabilities. With bolt on or clamp on styles available PPI is sure to have a product to meet your needs. Both structure types are available in CEMA C, D, and E and 30" to 60" belt widths. For wider belts please call for application assistance.

FEATURES AND BENEFITS

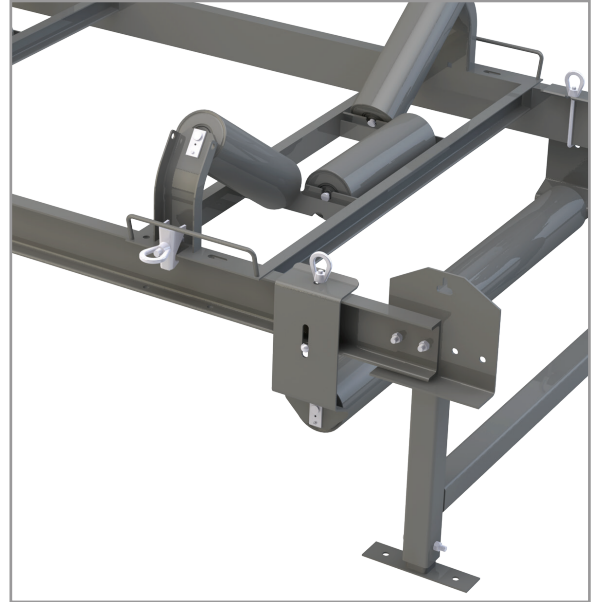
- Available in CEMA C, D & E classes to accommodate all applications
- Wide variety of belt widths available from 30" - 72" Contact PPI for inquiries for other belt widths
- Available with bolt-on style idlers or clamp-on style
- Stringers available in 3", 4", 5" and 6" depending on specific load requirements
- Integrated roof hangers enable a combination of roof hung and floor mounted setups
- Adjustable legs allow the user to set the structure at a desired height on uneven surfaces
- Framework designed to accept PPI's standard trougher design
- Offset low profile box frame idlers with large handles promote ease of handling
- Heavy duty structure designed to withstand the toughest environments
- Stand alone structure utilizing PPI's trusted roll design
- Rolls built with PPI's LXT seal system promote long roll life
- Unmatched customer service teamed experienced engineers provide support you can count on
- Quick lead times on product, when down time is not an option
- Service centers strategically located to better serve customers
- PPI's high quality conveyor components at a competitive price
- Standard warranty on rolls and framework - with extended warranty available for some applications

BOLT-ON STYLE FRAMEWORK



- Bolt-on reliability
- Interchanges with our standard troughing idlers
- Utilizes PPI's idler rolls

CLAMP-ON STYLE FRAMEWORK



- Minimize the tools required for assembly
- Allow slight belt alignment capability
- Utilizes PPI's idler rolls



www.ppi-global.com | sales@ppi-global.com

Product shown are for illustrative purposes only and may display optional accessories or components. Please contact your sales representative for more information on product specifications. PPI respectively reserves the right to make changes in engineering, design and specifications; add improvements; or discontinue manufacturing at any time without notice obligation. PPI and its respective logos are trademarks of Precision, Inc. in the US and or other countries.