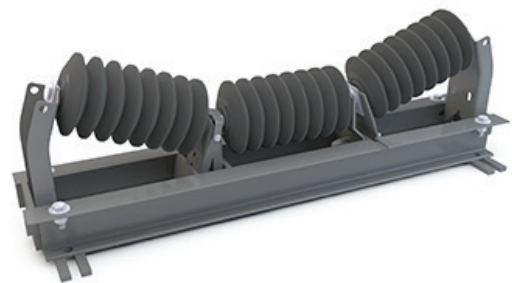


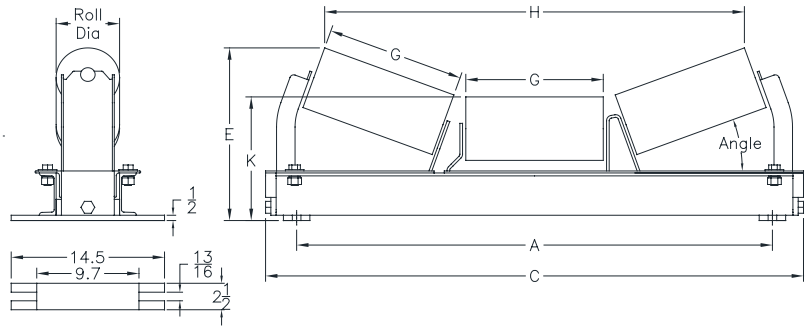
PPI's Retractable Frame Idlers are an excellent choice for impact zones where frequent roll change-out is required. The retractable frame design allows for easy roll change in all roll positions, minimizing downtime. Retractable frame idlers are available in CEMA C, D, and E with steel or impact rolls.

FEATURES AND BENEFITS

- Minimizes distance the belt must be lifted off the rolls for roll change-out
- Uses PPI's proven seal design with our rugged idler rolls
- Can be used in areas with tight space constraints
- Available with impact rolls or steel rolls
- Available in 20° 35° and 45° trough angles
- Available in CEMA C, D and E



Belt Width	Standard Dimensions			Wide Base	
	A	C	G	A	C
36	45	50 7/8	13	51	53 1/2
42	51	56 5/8	15	57	59 1/2
48	57	64 5/8	17 3/4	63	65 1/2
54	63	70 3/8	19 3/4	69	71 1/2
60	69	76 1/8	21 3/4	75	77 1/2
66	75	81 7/8	23 3/4	81	83 1/2
72	81	87 5/8	25 3/4	87	89 1/2
78	87	93 3/8	27 3/4	93	95 1/2
84	93	99 1/8	29 3/4	99	101 1/2
90	99	104 7/8	31 3/4	105	107 1/2
96	105	110 5/8	33 3/4	111	113 1/2



C dimension is actually different for 20°, 35° and 45°

20° RETRACTABLE EQUAL TROUGH

Belt Width	6" Roll Dia					7" Roll Dia				
	Part Number	E	H	K	WT	Part Number	E	H	K	WT
36	E6-20RET-36	16 5/16	39 3/4	11 11/16	184	E7-20RET-36	16 13/16	39 3/8	12 3/16	194
42	E6-20RET-42	17	45 1/2	11 11/16	201	E7-20RET-42	17 1/2	45 1/8	12 3/16	212
48	E6-20RET-48	17 15/16	53 7/16	11 11/16	224	E7-20RET-48	18 7/16	53 1/16	12 3/16	237
54	E6-20RET-54	18 5/8	59 3/16	11 11/16	240	E7-20RET-54	19 1/8	58 7/8	12 3/16	254
60	E6-20RET-60	19 5/16	64 15/16	11 11/16	257	E7-20RET-60	19 13/16	64 9/16	12 3/16	272
66	E6-20RET-66	20	70 11/16	11 11/16	273	E7-20RET-66	20 7/16	70 5/16	12 3/16	289
72	E6-20RET-72	20 11/16	76 7/16	11 11/16	289	E7-20RET-72	21 1/8	76 1/8	12 3/16	306
78	E6-20RET-78	21 7/16	82 3/16	11 11/16	306	E7-20RET-78	21 7/8	81 15/16	12 3/16	324
84	E6-20RET-84	22	87 15/16	11 11/16	322	E7-20RET-84	22 1/2	87 9/16	12 3/16	342
90	E6-20RET-90	22 11/16	93 3/4	11 11/16	339	E7-20RET-90	23 3/16	93 3/8	12 3/16	359
96	E6-20RET-96	23 3/8	99 1/2	11 11/16	355	E7-20RET-96	23 7/8	99 1/8	12 3/16	376

35° RETRACTABLE EQUAL TROUGH

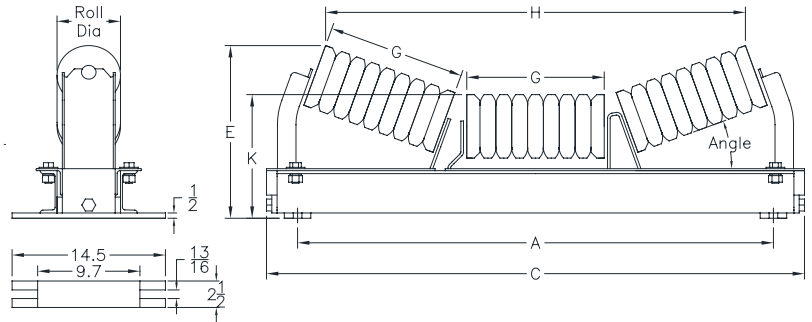
Belt Width	6" Roll Dia					7" Roll Dia				
	Part Number	E	H	K	WT	Part Number	E	H	K	WT
36	E6-35RET-36	19 1/4	35 3/8	11 11/16	187	E7-35RET-36	19 11/16	34 3/4	12 3/16	197
42	E6-35RET-42	20 7/16	40 5/8	11 11/16	204	E7-35RET-42	20 13/16	40 1/16	12 3/16	215
48	E6-35RET-48	22	47 7/8	11 11/16	226	E7-35RET-48	22 7/16	47 5/16	12 3/16	238
54	E6-35RET-54	23 3/16	53 3/16	11 11/16	242	E7-35RET-54	23 9/16	52 5/8	12 3/16	256
60	E6-35RET-60	24 5/16	58 7/16	11 11/16	258	E7-35RET-60	24 11/16	57 7/8	12 3/16	273
66	E6-35RET-66	25 7/16	63 3/4	11 11/16	276	E7-35RET-66	25 7/8	63 1/8	12 3/16	292
72	E6-35RET-72	26 5/8	69	11 11/16	293	E7-35RET-72	27	68 7/16	12 3/16	310
78	E6-35RET-78	27 15/16	74 1/4	11 11/16	310	E7-35RET-78	28.1875	73 11/16	12 3/16	328
84	E6-35RET-84	28 7/8	79 9/16	11 11/16	327	E7-35RET-84	29 1/4	78 15/16	12 3/16	346
90	E6-35RET-90	30 1/16	84 7/8	11 11/16	344	E7-35RET-90	30 7/16	84 1/4	12 3/16	364
96	E6-35RET-96	31 3/16	90 1/8	11 11/16	361	E7-35RET-96	31 9/16	89 1/2	12 3/16	383

45° RETRACTABLE EQUAL TROUGH

Belt Width	6" Roll Dia					7" Roll Dia				
	Part Number	E	H	K	WT	Part Number	E	H	K	WT
36	E6-45RET-36	21 1/16	32 9/16	11 11/16	190	E7-45RET-36	21 7/16	31 7/8	12 3/16	200
42	E6-45RET-42	22 1/2	37 3/8	11 11/16	207	E7-45RET-42	22 13/16	36 11/16	12 3/16	218
48	E6-45RET-48	24 7/16	44 1/16	11 11/16	228	E7-45RET-48	24 13/16	43 5/16	12 3/16	240
54	E6-45RET-54	25 7/8	48 7/8	11 11/16	245	E7-45RET-54	26 3/16	48 1/8	12 3/16	259
60	E6-45RET-60	27 1/4	53 11/16	11 11/16	262	E7-45RET-60	27 5/8	52 15/16	12 3/16	277
66	E6-45RET-66	28 11/16	58 9/16	11 11/16	280	E7-45RET-66	29	57 13/16	12 3/16	296
72	E6-45RET-72	30 1/16	63 3/8	11 11/16	297	E7-45RET-72	30 7/16	62 5/8	12 3/16	314
78	E6-45RET-78	31 9/16	68 3/16	11 11/16	314	E7-45RET-78	31 15/16	67 1/2	12 3/16	332
84	E6-45RET-84	32 7/8	73	11 11/16	331	E7-45RET-84	33 1/4	72 5/16	12 3/16	351
90	E6-45RET-90	34 5/16	77 13/16	11 11/16	349	E7-45RET-90	34 11/16	77 1/8	12 3/16	369
96	E6-45RET-96	35 3/4	82 5/8	11 11/16	366	E7-45RET-96	36.0625	81 15/16	12 3/16	387

Belt Width	Standard Dimensions			Wide Base	
	A	C	G	A	C
36	45	50 7/8	13	51	53 1/2
42	51	56 5/8	15	57	59 1/2
48	57	64 5/8	17 3/4	63	65 1/2
54	63	70 3/8	19 3/4	69	71 1/2
60	69	76 1/8	21 3/4	75	77 1/2
66	75	81 7/8	23 3/4	81	83 1/2
72	81	87 5/8	25 3/4	87	89 1/2
78	87	93 3/8	27 3/4	93	95 1/2
84	93	99 1/8	29 3/4	99	101 1/2
90	99	104 7/8	31 3/4	105	107 1/2
96	105	110 5/8	33 3/4	111	113 1/2

C dimension is actually different for 20°, 35° and 45°



20° RETRACTABLE EQUAL TROUGHER IMPACT

Belt Width	6" Roll Dia					7" Roll Dia				
	Part Number	E	H	K	WT	Part Number	E	H	K	WT
36	E6P-20RETI-36	16 5/16	39 3/4	11 11/16	222	E7P-20RETI-36	16 13/16	39 3/8	12 3/16	225
42	E6P-20RETI-42	17	45 1/2	11 11/16	245	E7P-20RETI-42	17 1/2	45 1/8	12 3/16	248
48	E6P-20RETI-48	17 15/16	53 7/16	11 11/16	278	E7P-20RETI-48	18 7/16	53 1/16	12 3/16	282
54	E6P-20RETI-54	18 5/8	59 3/16	11 11/16	301	E7P-20RETI-54	19 1/8	58 7/8	12 3/16	305
60	E6P-20RETI-60	19 5/16	64 15/16	11 11/16	323	E7P-20RETI-60	19 13/16	64 9/16	12 3/16	328
66	E6P-20RETI-66	20	70 11/16	11 11/16	349	E7P-20RETI-66	20 7/16	70 5/16	12 3/16	355
72	E6P-20RETI-72	20 11/16	76 7/16	11 11/16	372	E7P-20RETI-72	21 1/8	76 1/8	12 3/16	377
78	E6P-20RETI-78	21 7/16	82 3/16	11 11/16	398	E7P-20RETI-78	21 7/8	81 15/16	12 3/16	404
84	E6P-20RETI-84	22	87 15/16	11 11/16	420	E7P-20RETI-84	22 1/2	87 9/16	12 3/16	427
90	E6P-20RETI-90	22 11/16	93 3/4	11 11/16	445	E7P-20RETI-90	23 3/16	93 3/8	12 3/16	452
96	E6P-20RETI-96	23 3/8	99 1/2	11 11/16	469	E7P-20RETI-96	23 7/8	99 1/8	12 3/16	476

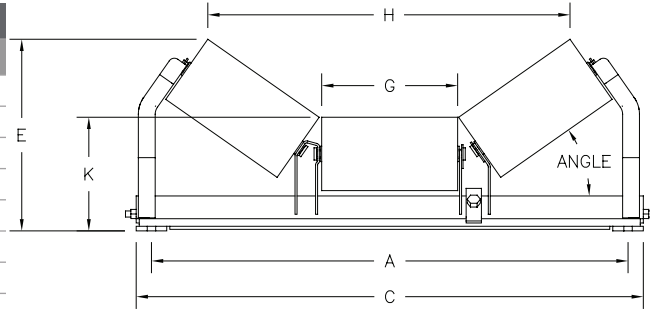
35° RETRACTABLE EQUAL TROUGHER IMPACT

Belt Width	6" Roll Dia					7" Roll Dia				
	Part Number	E	H	K	WT	Part Number	E	H	K	WT
36	E6P-35RETI-36	19 1/4	35 3/8	11 11/16	225	E7P-35RETI-36	19 11/16	34 3/4	12 3/16	228
42	E6P-35RETI-42	20 7/16	40 5/8	11 11/16	248	E7P-35RETI-42	20 13/16	40 1/16	12 3/16	251
48	E6P-35RETI-48	22	47 7/8	11 11/16	280	E7P-35RETI-48	22 7/16	47 5/16	12 3/16	284
54	E6P-35RETI-54	23 3/16	53 3/16	11 11/16	302	E7P-35RETI-54	23 9/16	52 5/8	12 3/16	307
60	E6P-35RETI-60	24 5/16	58 7/16	11 11/16	325	E7P-35RETI-60	24 11/16	57 7/8	12 3/16	330
66	E6P-35RETI-66	25 7/16	63 3/4	11 11/16	352	E7P-35RETI-66	25 7/8	63 1/8	12 3/16	357
72	E6P-35RETI-72	26 5/8	69	11 11/16	375	E7P-35RETI-72	27	68 7/16	12 3/16	381
78	E6P-35RETI-78	27 15/16	74 1/4	11 11/16	402	E7P-35RETI-78	28.1875	73 11/16	12 3/16	408
84	E6P-35RETI-84	28 7/8	79 9/16	11 11/16	425	E7P-35RETI-84	29 1/4	78 15/16	12 3/16	431
90	E6P-35RETI-90	30 1/16	84 7/8	11 11/16	450	E7P-35RETI-90	30 7/16	84 1/4	12 3/16	457
96	E6P-35RETI-96	31 3/16	90 1/8	11 11/16	475	E7P-35RETI-96	31 9/16	89 1/2	12 3/16	482

45° RETRACTABLE EQUAL TROUGHER IMPACT

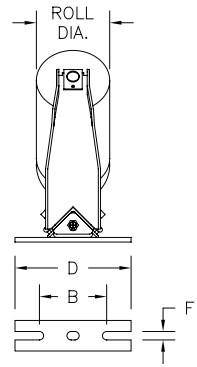
Belt Width	6" Roll Dia					7" Roll Dia				
	Part Number	E	H	K	WT	Part Number	E	H	K	WT
36	E6P-45RETI-36	21 1/16	32 9/16	11 11/16	227	E7P-45RETI-36	21 7/16	31 7/8	12 3/16	230
42	E6P-45RETI-42	22 1/2	37 3/8	11 11/16	251	E7P-45RETI-42	22 13/16	36 11/16	12 3/16	254
48	E6P-45RETI-48	24 7/16	44 1/16	11 11/16	282	E7P-45RETI-48	24 13/16	43 5/16	12 3/16	286
54	E6P-45RETI-54	25 7/8	48 7/8	11 11/16	305	E7P-45RETI-54	26 3/16	48 1/8	12 3/16	310
60	E6P-45RETI-60	27 1/4	53 11/16	11 11/16	329	E7P-45RETI-60	27 5/8	52 15/16	12 3/16	333
66	E6P-45RETI-66	28 11/16	58 9/16	11 11/16	356	E7P-45RETI-66	29	57 13/16	12 3/16	361
72	E6P-45RETI-72	30 1/16	63 3/8	11 11/16	379	E7P-45RETI-72	30 7/16	62 5/8	12 3/16	385
78	E6P-45RETI-78	31 9/16	68 3/16	11 11/16	406	E7P-45RETI-78	31 15/16	67 1/2	12 3/16	412
84	E6P-45RETI-84	32 7/8	73	11 11/16	429	E7P-45RETI-84	33 1/4	72 5/16	12 3/16	436
90	E6P-45RETI-90	34 5/16	77 13/16	11 11/16	455	E7P-45RETI-90	34 11/16	77 1/8	12 3/16	462
96	E6P-45RETI-96	35 3/4	82 5/8	11 11/16	480	E7P-45RETI-96	36.0625	81 15/16	12 3/16	487

BELT WIDTH	STANDARD DIMENSIONS						WIDE BASE	
	A	B	C	D	F	G	A	C
24	33	5 9/16	35	8	9/16	8 15/16	39	41
30	39	5 1/2	41 1/2	9 1/2	11/16	11 1/8	45	47 1/2
36	45	5 1/2	47 1/2	9 1/2	11/16	13 1/4	51	53 1/2
42	51	5 1/2	53 1/2	9 1/2	11/16	15 7/16	57	59 1/2
48	57	5 1/2	59 1/2	9 1/2	11/16	17 5/8	63	65 1/2
54	63	7	65 1/2	11	11/16	19 3/4	69	71 1/2
60	69	7	71 1/2	11	11/16	21 3/4	75	77 1/2
72	81	7	83 1/2	11	11/16	26	87	89 1/2



20° RETRACTABLE EQUAL TROUGHER

BELT WIDTH	5" ROLL DIAMETER					6" ROLL DIAMETER				
	PART NUMBER	E	H	K	WT	PART NUMBER	E	H	K	WT
24	D5-20RET-24	11 13/16	27 1/16	8 5/8	74	D6-20RET-24	12 1/4	26 11/16	9 1/8	82
30	D5-20RET-30	12 11/16	33 3/8	8 3/4	87	D6-20RET-30	13 3/16	32 15/16	9 1/4	97
36	D5-20RET-36	13 7/16	39 7/16	8 3/4	99	D6-20RET-36	13 7/8	39 1/8	9 1/4	110
42	D5-20RET-42	14 9/16	45 3/4	9 1/8	123	D6-20RET-42	15	45 7/16	9 5/8	135
48	D5-20RET-48	15 5/16	52 1/16	9 1/8	136	D6-20RET-48	15 3/4	51 3/4	9 5/8	150
54	D5-20RET-54	16 3/8	58 3/16	9 5/8	156	D6-20RET-54	16 7/8	57 13/16	10 1/8	171
60	D5-20RET-60	17	63 7/8	9 5/8	169	D6-20RET-60	17 1/2	63 9/16	10 1/8	185
72	D5-20RET-72	18 1/2	76 3/16	9 5/8	196	D6-20RET-72	19	75 13/16	10 1/8	215



35° RETRACTABLE EQUAL TROUGHER

BELT WIDTH	5" ROLL DIAMETER					6" ROLL DIAMETER				
	PART NUMBER	E	H	K	WT	PART NUMBER	E	H	K	WT
24	D5-35RET-24	13 15/16	24 9/16	8 5/8	76	D6-35RET-24	14 3/8	24 1/16	9 1/8	84
30	D5-35RET-30	15 5/16	30 3/8	8 3/4	90	D6-35RET-30	15 13/16	29 13/16	9 1/4	99
36	D5-35RET-36	16 1/2	35 15/16	8 3/4	101	D6-35RET-36	16 15/16	35 7/16	9 1/4	112
42	D5-35RET-42	18 3/16	41 3/4	9 1/8	126	D6-35RET-42	18 9/16	41 3/16	9 5/8	138
48	D5-35RET-48	19 7/16	47 1/2	9 1/8	139	D6-35RET-48	19 13/16	46 15/16	9 5/8	153
54	D5-35RET-54	21	53 1/8	9 5/8	159	D6-35RET-54	21 7/16	52 9/16	10 1/8	175
60	D5-35RET-60	22 3/16	58 3/8	9 5/8	173	D6-35RET-60	22 9/16	57 7/8	10 1/8	189
72	D5-35RET-72	24 9/16	69 9/16	9 5/8	200	D6-35RET-72	25	69 1/16	10 1/8	219

45° RETRACTABLE EQUAL TROUGHER

BELT WIDTH	5" ROLL DIAMETER					6" ROLL DIAMETER				
	PART NUMBER	E	H	K	WT	PART NUMBER	E	H	K	WT
24	D5-45RET-24	15 3/16	22 3/4	8 5/8	78	D6-45RET-24	15 1/2	22 1/8	9 1/8	86
30	D5-45RET-30	16 7/8	28 1/16	8 3/4	92	D6-45RET-30	17 1/4	27 3/8	9 1/4	101
36	D5-45RET-36	18 5/16	33 1/8	8 3/4	104	D6-45RET-36	18 11/16	32 5/16	9 1/4	115
42	D5-45RET-42	20 5/16	38 7/16	9 1/8	128	D6-45RET-42	20 5/8	37 11/16	9 5/8	140
48	D5-45RET-48	21 13/16	43 11/16	9 1/8	141	D6-45RET-48	22 3/16	43 1/16	9 5/8	155
54	D5-45RET-54	23 11/16	48 13/16	9 5/8	162	D6-45RET-54	24 1/16	48 1/16	10 1/8	177
60	D5-45RET-60	25 1/8	53 11/16	9 5/8	175	D6-45RET-60	25 7/16	53	10 1/8	192
72	D5-45RET-72	28 1/8	63 15/16	9 5/8	203	D6-45RET-72	28 7/16	63 1/4	10 1/8	222