

WE KEEP IT MOVING

ENGINEERING & DIMENSIONS

TAKE-UP FRAMES



TABLE OF CONTENTS

4-5	Take-Up Interchange
6-7	Precision Heavy Duty (PHD)
8-9	Precision Hydraulic Heavy Duty (PHYD) (Hydraulic Assist)
10	PHYD Hydraulic Cylinders
11	Hydraulic Hand Pump & Hose Kit
12	Precision Medium Duty (PMD)
13	Precision Light Duty (PLD)
14	Precision Wide Slot (PWS)
15	Precision Center Pull (PCP)
16	Precision Protected Top Angle (PPA) for channel bottom housings
17	Precision Protected Top Angle (PTA) for round bottom housings
18	Precision Slide Tube (PST)



HEAVY DUTY (PHD) TAKE-UP FRAMES

Heavy Duty Take-Up Frames are made of welded and bolted steel construction. The adjusting screw, which is fully protected, offers maximum strength and ease of adjustment. Also available in extra heavy duty construction.



HYDRAULIC CYLINDER (HYD)

Large take up frames require more torque. A Hydraulic Cylinder helps provide the power needed to move the frame. The Hydraulic Cylinder (HYD) features a standard series 2HD cylinder with clevis and pin for PHYD. The cylinders have lip seals, breathers and SEA ports.



MEDIUM DUTY (PMD) TAKE-UP FRAMES

PPI Medium Duty Take-Up Frames offer convenience with the ability to use with ball, spherical and sleeve bearings, as well as extra strength due to a one-piece saddle. The adjusting screw is protected from falling material by the steel angle. The adjusting screw is always in tension regardless of direction of the bearing load.



LIGHT DUTY (PLD) TAKE-UP FRAMES

PPI Light Duty Take-Up Frames give the convenience of use with ball, spherical and sleeve bearings. The adjusting screw is protected from falling material by the steel angle. The adjusting screw is always in tension regardless of direction of bearing load.



WIDE SLOT (PWS) TAKE-UP FRAMES

The PPI Wide Slot Take-Up Frame provides a compact and economical frame that will accept all manufacturers' ball bearing cartridge. This Take-Up frame is especially useful on packaging and other lightweight special conveyors.



CENTER PULL (PCP) TAKE-UP FRAMES

Center Pull Take-Up Frames use welded steel construction with reinforced steel end plates. The bolted cap rail allows easy access for quick and easy bearing installation.



TOP ANGLE (PTA) TAKE-UP FRAMES

PPI Top Angle Take-Up Frames are made of welded steel. The adjusting screw is plated to resist corrosion and is protected by the top angle from falling material. Top Angle Take-Up Frames may be used with sleeve type, ball or tapered roller bearings [where the housing fits a round bottom frame].



PROTECTED ANGLE (PPA) TAKE-UP FRAMES

PPI Protected Angle Take-Up Frames are made of welded steel. The adjusting screw is plated to resist corrosion and is protected by the top angle from falling material. Top Angle Take-Up Frames may be used with sleeve type, ball or tapered roller bearings [that fit a channel bottom frame].



SLIDE TUBE (PST) TAKE-UP FRAMES

The PPI Slide Tube Take-Up Frame provides a compact and economical frame that will accept all manufacturers pillow blocks. This frame is especially useful on packaging and other lightweight special conveyors.



HEAVY DUTY HYDRAULIC (PHYD) TAKE-UP FRAMES

Hydraulic Heavy Duty Take-Up Frames are made of welded and bolted steel construction. The adjusting screw, which is fully protected, offers maximum strength and locks the saddle into place. The hydraulic cylinder provides ease of adjustment and accuracy of tightening.

TAKE-UP INTERCHANGE

PHD/PHYD* - HEAVY DUTY & HYDRAULIC TAKE-UP FRAMES

TAKE-UP FRAMES								
PPI	CCI	DODGE	LINKBELT	MARTIN	SKF	SUPERIOR	VAN GORP	BROWNING
PHD200	CHD200	HD-200	LHD20	MHD200	TFT 1,2	TUHD-200	T2000A,B,C	T2000A,B,C
PHD208	CHD250	HD-250	LHD25	MHD250	TFT 3, 4,3	TUHD-250	T2000D,E	T2000D,E
PHD300	CHD300	HD-300	LHD30	MHD300	TFT 4, 5, 34, 44	TUHD-300	T2000F,G	T2000F,G
PHD308	CHD350	HD-350	LHD35	MHD350	TFT 6, 36, 46	TUHD-350	T2000H,J	T2000H,J
PHD400	CHD400	HD-400	LHD40	MHD400	TFT 7, 37	TUHD-400	T2000K	T2000K
PHD500	CHD500	HD-500	LHD50	MHD500	TFT 38, 48	TUHD-500	T2000M,N	T2000M,N
PHD600	-	-	-	-	-	TUHD-600	-	-
PHD800	-	-	-	-	-	TUHD-800	-	-
PHD1000	-	-	-	-	-	-	-	-

BEARINGS											
PPI TAKE-UP FRAME	PPI		DODGE			LINKBELT			SKF		
	SAF	TYPE E	TYPE E	S-2000	SAF-XT/USAF/SAFS/ISAF	EPB22400	PB22400	PB2500	(F)SYE	SYR	SAF22500
PHD200	up to 2 3/16	up to 2 7/16	up to 2 1/2	up to 3	up to 2 3/16	up to 2 1/2	up to 3	up to 2 3/16	up to 2 1/2	up to 3	up to 2 1/4
PHD208	up to 2 15/16	up to 2 15/16	up to 3	up to 3 1/2	up to 3	up to 3	up to 3 1/2	up to 2 15/16	up to 3	up to 3 1/2	up to 3
PHD300	up to 3 3/16	up to 3 7/16	up to 3 1/2	up to 3 1/2	up to 3 3/16	up to 3 1/2	up to 3 1/2	up to 3 7/16	up to 3 1/2	up to 4	up to 3 1/4
PHD308	up to 3 7/16	up to 3 15/16	up to 4	up to 4	up to 3 1/2	up to 4	up to 4	up to 4	up to 4	-	up to 3 1/2
PHD400	up to 4 7/16	up to 4 15/16	up to 5	up to 5	up to 4 1/2	up to 5	up to 5	up to 5	up to 4 15/16	-	up to 4 1/2
PHD500	up to 5 7/16	-	up to 6	-	up to 5 1/2	-	-	-	-	-	up to 5 1/2
PHD600	up to 5 15/16	-	up to 7	-	up to 6	-	-	-	-	-	up to 6
PHD800	up to 8 15/16	-	-	-	up to 9	-	-	-	-	-	up to 9
PHD1000	up to 10 7/16	-	-	-	up to 12	-	-	-	-	-	up to 12

*For other PHD/PHYD sizes, contact your local PPI Representative.

PMD - MEDIUM DUTY TAKE-UP FRAMES

TAKE-UP FRAMES							BEARINGS							
PPI	BROWNING TF	MARTIN (CCI)	DODGE	HUB CITY T210	LINKBELT LC	SUPERIOR	PPI		DODGE			LINKBELT	SKF	
							TYPE E	PSCM	SC	SCM	S-2000	TYPE E	22400	SYR
PMD100	TF16	MLD10	LD10	BC-3	LC1	TULD-100	-	-	1/2-1	-	-	-	1-1 1/4	-
PMD108	-	MLD20	LD20	-	-	TULD-200	1 7/16	1 3/16 - 1 7/16	1 1/16 - 1 3/4	1-1 5/8	1 3/8 - 1 3/4	1 3/16 - 1 11/16	1 7/16 - 1 3/4	1 3/8 - 1 3/4
PMD200	TF31	MLD30	LD30	DH-3	LC2	TULD-300	-	-	1 15/16 - 2	1 11/16 - 1 3/4	1 15/16 - 2	-	1 15/16 - 2	1 15/16 - 2
PMD208	TF39	MLD40	LD40	JK-3	LC3	TULD-400	1 15/16 - 2 7/16	1 11/16 - 1 15/16	1 15/16 - 2 7/16	1 11/16 - 2 1/4	1 15/16 - 2 7/16	1 3/4 - 2 1/2	1 15/16 - 2 1/2	2 3/16 - 2 7/16
PMD300	-	MLD45	LD45	-	-	TULD-450	2 15/16	2 3/16 - 2 7/16	2 1/2 - 2 11/16	2 7/16 - 3	2 11/16 - 3 7/16	2 11/16 - 3	2 11/16 - 3	2 11/16 - 3
PMD308	-	MLD50	LD50	-	-	TULD-500	3 7/16	2 15/16 - 3 7/16	2 15/16	3 3/16 - 3 1/2	3 15/16	3 3/16 - 3 1/2	3 3/16 - 4	3 7/16

PLD - LIGHT DUTY TAKE-UP FRAMES

TAKE-UP FRAMES				BEARINGS							
PPI	DODGE	LINKBELT LC	BROWNING TF	PPI		DODGE			LINKBELT		
				TYPE E	SCM	SC, SY	SCM, SYM	S-2000	TYPE E	22400	
PLD100	LD10	LC1	TF16	-	-	1/2-7/8	-	-	1 3/16 - 1 1/4	1-1 1/4	
PLD108	LD20	-	-	1 7/16	1 3/16 - 1 7/16	1 1/16 - 1 3/4	1-1 5/8	1 1/8 - 1 3/4	1 3/8 - 1 11/16	1 7/16 - 1 3/4	
PLD200	LD30	LC2	TF31	-	-	1 15/16	1 11/16 - 1 3/4	-	-	-	
PLD208	LD40	LC3	TF39	1 15/16 - 2 7/16	1 11/16 - 1 15/16	1 15/16 - 2 7/16	1 11/16 - 2 1/4	1 7/8 - 2 1/2	1 3/4 - 2 1/2	1 15/16 - 2 1/2	
PLD300	LD45	-	-	2 15/16	2 3/16 - 2 15/16	2 1/2 - 2 15/16	2 7/16 - 2 1/2	2 11/16 - 3 1/2	2 11/16 - 3	2 11/16 - 3 1/2	
PLD308	LD50	-	-	3 7/16	2 15/16 - 3 7/16	2 15/16	2 11/16 - 3 1/2	3 3/16 - 4	3 3/16 - 3 1/2	3 11/16 - 4	

PST - SLIDE TUBE TAKE-UP FRAME

TAKE-UP FRAMES		BEARINGS								
PPI	BRYANT	PPI		DODGE				LINKBELT		
		SCM	TYPE E	SC	SCM	E/K	S-2000	U200	U300	22400
PST250	250	1 3/16	-	1 1/16 - 1 7/16	1-1 7/16	1 3/16 - 1 7/16	1 1/8 - 1 1/2	1 1/2 - 1 7/16	3/4-1	1 7/16 - 1 1/2
PST300	300	1 7/16 - 2 1/4	1 7/16 - 2 3/16	1 1/2 - 2 7/16	1 7/16 - 2 1/4	1 3/8 - 2 3/16	1 5/8 - 2 1/4	1 1/2 - 2 7/16	3/4-1 7/16	1 7/16 - 2 1/2
PST350	350HD	1 7/16 - 2 1/4	1 7/16 - 2 3/16	1 1/2 - 2 7/16	1 7/16 - 2 1/4	1 3/8 - 2 3/16	1 5/8 - 3	1 1/2 - 2 7/16	3/4-1 7/16	1 7/16 - 2 1/2
PST400	400	2 7/16 - 2 15/16	2 7/16 - 3 7/16	2 1/2 - 2 15/16	2 7/16 - 3 1/2	2 1/4 - 3 1/2	3 3/16 - 3 1/2	2 1/2 - 3 1/2	1 1/2 - 2 7/16	2 11/16 - 3 1/2
PST500	500	up to 3 7/16	up to 3 15/16	up to 2 15/16	up to 3 1/2	up to 4	up to 4	up to 4	up to 3 15/16	up to 4

PCP - CENTER PULL TAKE-UP FRAME

TAKE-UP FRAMES				BEARINGS					
PPI	DODGE	BROWNING	REXNORD	DODGE		LINKBELT	BROWNING		REXNORD
				WSTU TYPE E	WSTU S2 S-2000	T-B22400H	TUE920	STU1000	ZT
PCP108	CP308	-	-	1 3/8 - 1 7/16	1 1/8 - 1 1/2	1 3/16 - 1 1/2	1 3/8 - 1 7/16	-	-
PCP200	CP400	1000D	ZHT-6	1 1/2 - 2	1 11/16 - 2	1 5/8 - 2	1 1/2 - 2	1 15/16 - 2	1 1/2 - 1 15/16
PCP203	CP408	1000EH	ZHT-7	2 3/16	2 3/16 - 2 1/4	2 3/16 - 2 1/4	2 3/16	2 3/16	2 - 2 3/16
PCP208	CP502	1000F	ZHT-8	2 1/4 - 2 1/2	2 7/16 - 2 1/2	2 7/16 - 2 1/2	2 7/16	2 7/16 - 2 1/2	2 7/16
PCP300	CP515	1000GH	ZHT-9	2 11/16 - 3	2 11/16 - 3	2 11/16 - 3	2 15/16	2 11/16 - 3	2 1/2 - 2 15/16
PCP308	CP613	1000JH	ZHT-10	-	3 1/4 - 3 1/2	3 7/16 - 3 1/2	3 7/16	3 3/16 - 3 1/2	3 3/16 - 3 7/16
PCP400	CP810	1000K	ZHT-11	-	3 11/16 - 4	4**	3 15/16 - 4 1/2	3 11/16 - 4	3 11/16 - 4
PCP408	CP908	-	ZHT-12	-	4 7/16 - 4 1/2	-	-	-	4 3/16 - 4 7/16
PCP500	CP1004	-	ZHT-13	-	4 15/16	-	-	-	4 15/16 - 5

**The LinkBelt 3-15/16 Wide Slot requires a different frame, i.e. PCP400LB.

NOTE: While both PCP and PWS use the same dimensions for the rails and bearing housing slots, i.e. the rails will fit Wide Slot Take-Up housings, this does not mean that all wide slot bearings will fit into a PWS. A PWS has tighter clearances, designed for the narrow housings of a normal or medium duty ball bearing. As such, they are NOT designed for a roller bearing. (A roller bearing unit MIGHT fit into a PWS, but it will need to be confirmed.) However, the PCP has no such restrictions and can be used with both ball and roller bearing Wide Slot Take-Up Frame housings.

PWS - WIDE SLOT TAKE-UP FRAME

TAKE-UP FRAMES			BEARINGS							
PPI	DODGE	HUB CITY (WS200)	DODGE		SKF		LINKBELT	HUB CITY		BROWNING
			WSTU-SC SC	WSTU-SCM SCM	TBY	TBYM	T-U300	WSTU220	WSTU250	VTWS/VTWE
PWS100	WS300	BC	1/2 - 1	-	3/4 - 1	-	7/8 - 1	3/4 - 1	3/4 - 1	1/2 - 1
PWS108	WS308	DE	1 1/16 - 1 7/16	1 - 1 1/4	1 1/16 - 1 7/16	-	1 1/4 - 1 7/16	1 1/8 - 1 7/16	1 1/8 - 1 7/16	1 1/8 - 1 7/16
PWS200	WS400	FH	1 1/2 - 2	1 7/16 - 1 3/4	1 1/2 - 1 15/16	1 7/16 - 1 3/4	1 1/2	1 1/2 - 2	1 1/2	1 1/2 - 1 15/16
PWS208	WS502	JK	2 - 2 7/16	1 15/16 - 2 1/4	2 - 2 3/16	1 15/16	1 15/16	2 3/16 - 2 7/16	2 3/16	2 - 2 7/16
PWS300	WS515	-	2 1/2 - 2 15/16	2 7/16 - 2 11/16	-	-	2 1/4 - 2 7/16	-	-	-
PWS308	WS608	-	-	2 15/16 - 3	-	-	-	-	-	-

PPA - PROTECTED ANGLE TAKE-UP FRAME (Fits Channel Bottom Housing)

TAKE-UP FRAMES			BEARINGS				
PPI	REXNORD	SKF	LINKBELT			SKF	REXNORD
			TDS(3)-U200N	DS-B22400H	DS-LB6800	TY	ZNT
PPA200	ZNT 6	PA-1	1 15/16	1 15/16	-	-	1 15/16 - 2
PPA203	ZNT 7	PA-2	2 3/16	2 3/16	-	-	2 3/16 - 2 1/4
PPA208	ZNT 8	PA-11	2 7/16	2 7/16	-	-	2 3/8 - 2 1/2
PPA300	ZNT 9	PA-4	2 15/16	2 15/16	2 7/16	2 7/16	2 11/16 - 3
PPA308	ZNT 10	PA-5	3 7/16	3 7/16	2 15/16	2 15/16	3 3/16 - 3 1/2
PPA400	ZNT 11	PA-6	3 15/16	3 15/16	3 7/16	3 7/16 - 3 15/16	3 11/16 - 4
PPA408	-	-	-	-	3 15/16	-	-

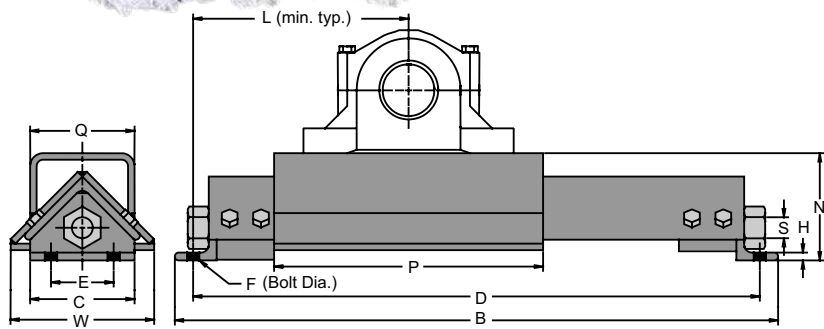
While the PTA & PPA have the same mounting dimensions, they fit two different styles of Take-Up Frame housings.

PTA - TOP ANGLE TAKE-UP FRAME (Fits Round Bottom Housing)

TAKE-UP FRAMES		BEARINGS				
PPI	DODGE	DODGE			LINKBELT	
		TPE/TPK E/K	G SC	GM SCM	TPHU S-2000	ETP TYPE E
PTA200	TP10	1 3/4 - 2	1 15/16 - 2	1 11/16 - 1 3/4	2	1 3/4 - 2
PTA203	TP20	2 3/16	2 - 2 1/4	1 15/16 - 2	-	2 3/16
PTA208	TP30	2 1/4 - 2 1/2	2 1/4 - 2 7/16	2 3/16 - 2 1/4	2 3/16	2 1/4 - 2 1/2
PTA300	TP40	2 11/16 - 3	2 1/2 - 2 15/16	2 7/16 - 2 11/16	3	2 11/16 - 3
PTA308	TP50	3 3/16 - 3 1/2	-	2 15/16 - 3	3 7/16	3 3/16 - 3 1/2
PTA400	TP60	3 15/16 - 4	-	3 7/16 - 3 1/2	3 15/16	3 15/16 - 4

While the PTA & PPA have the same mounting dimensions, they fit two different styles of Take-Up Frame housings.

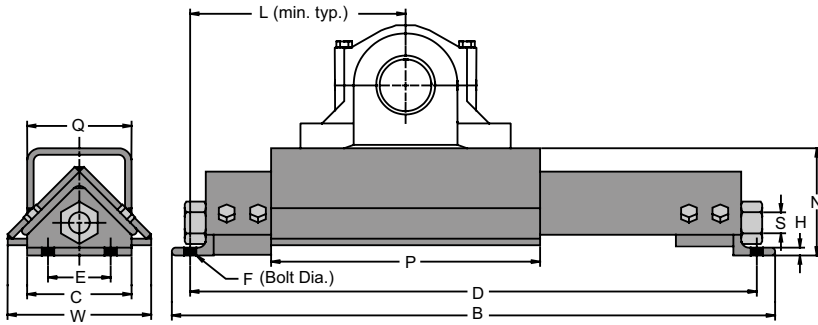
PRECISION HEAVY DUTY (PHD)



- Pillow block mounting holes drilled to order
- Pillow block mounting bolts included
- Uses standard pillow blocks
- PHD 200-600 use angle iron
- PHD 800 -1000 use heavy wall square tubing
- Stainless steel threaded rods are available

Size	Travel	Wt.	B	C	D	E	F Bolt Dia	H	L	N	P	Q	S Rod Dia	W
PHD200	12	49	30 5/16	5	29	2 1/2	5/8	1/4	9 3/4	5 1/4	11	4	1	6 1/8
	18	53	36 5/16		35									
	24	57	42 5/16		41									
	30	61	48 5/16		47									
	36	66	54 5/16		53									
	48	74	66 5/16		65									
	60	82	78 5/16		77									
PHD208	12	84	35 1/4	5 1/2	32 3/4	3	5/8	3/8	10 7/8	6 1/4	13 1/4	5	1	7 1/8
	18	90	41 1/4		38 3/4									
	24	96	47 1/4		44 3/4									
	30	102	53 1/4		50 3/4									
	36	109	59 1/4		56 3/4									
	48	121	71 1/4		68 3/4									
	60	133	83 1/4		80 3/4									
PHD300	12	139	38 1/4	6 1/2	35 1/2	3	3/4	1/2	11 3/4	7	14 1/4	6	1 1/4	8 3/4
	18	149	44 1/4		41 1/2									
	24	159	50 1/4		47 1/2									
	30	169	56 1/4		53 1/2									
	36	179	62 1/4		59 1/2									
	48	200	74 1/4		71 1/2									
	60	220	86 1/4		83 1/2									
PHD308	12	149	40	6 1/2	37 1/4	3	3/4	1/2	12 5/8	7	16	6	1 1/4	8 3/4
	18	159	46		43 1/4									
	24	169	52		49 1/4									
	30	179	58		55 1/4									
	36	190	64		61 1/4									
	48	210	76		73 1/4									
	60	230	88		85 1/4									
PHD400	12	178	44	6 1/2	41 1/4	3	3/4	1/2	14 5/8	7	20	7	1 1/4	8 3/4
	18	188	50		47 1/4									
	24	199	56		53 1/4									
	30	209	62		59 1/4									
	36	219	68		65 1/4									
	48	239	80		77 1/4									
	60	259	92		89 1/4									

PRECISION HEAVY DUTY (PHD)

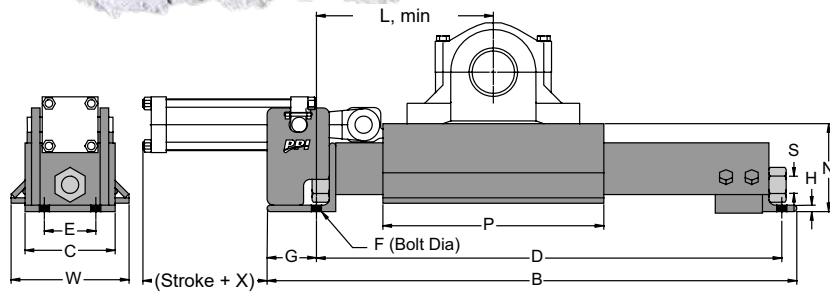


- Pillow block mounting holes drilled to order
- Pillow block mounting bolts included
- Uses standard pillow blocks
- PHD 200-600 use angle iron
- PHD 800 -1000 use heavy wall square tubing
- Stainless steel threaded rods are available

Size	Travel	Wt.	B	C	D	E	F Bolt Dia	H	L	N	P	Q	S Rod Dia	W
PHD500	12	308	49 1/2	7	47	4	7/8	1/2	16 1/2	7 3/4	23 1/2	8 1/2	1 1/2	10 3/4
	18	325	55 1/2		53									
	24	342	61 1/2		59									
	30	360	67 1/2		65									
	36	377	73 1/2		71									
	48	412	85 1/2		83									
PHD600	12	537	57 3/4	10	54 1/4	6	1	3/4	20 5/8	10 1/4	25 3/4	10	2	13 3/4
	18	562	63 3/4		60 1/4									
	24	587	69 3/4		66 1/4									
	30	611	75 3/4		72 1/4									
	36	636	81 3/4		78 1/4									
	48	686	93 3/4		90 1/4									
PHD800	12	749	70 7/8	12	60 7/8	6	1 1/4	3/4	21 1/4	12 3/4	36	12	2 1/2	12
	18	773	76 7/8		66 7/8									
	24	797	82 7/8		72 7/8									
	30	821	88 7/8		78 7/8									
	36	845	94 7/8		84 7/8									
	48	894	106 7/8		96 7/8									
PHD1000	12	1160	76 1/2	14	66 1/2	6	1 1/2	3/4	23 1/4	15 5/8	40	14	3	14
	18	1199	82 1/2		72 1/2									
	24	1239	88 1/2		78 1/2									
	30	1278	94 1/2		84 1/2									
	36	1317	100 1/2		90 1/2									
	48	1395	112 1/2		102 1/2									
60	1491	124 1/2	114 1/2											

Mounting holes (D&T) for pillow blocks are done per order. For other sizes, contact your local PPI Representative.

PRECISION HEAVY DUTY (PHYD)

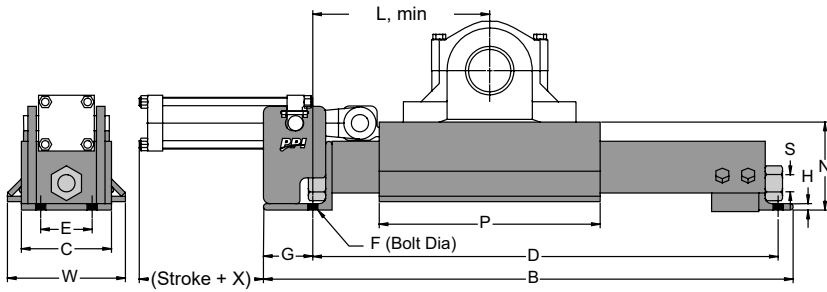


- Saddle movement assisted with hydraulic cylinder
- Uses standard rod end trunion mount cylinders
- Standard set up is pull
- PHYD 200-600 use angle iron
- PHYD 800 -1000 use heavy wall square tubing
- Stainless steel threaded rods are available

Size	Travel	Wt.	B	C	D	E	F Bolt Dia	H	L	N	P	Q	S Rod Dia	W	Available Cylinders	G	X
PHYD300	12	149	40 1/4	7 1/2	35 1/2	3	3/4	1/2	11 1/2	7	14 1/4	6	1 1/4	8 3/4	2010	3 3/8	2 1/2
	18	160	46 1/4		41 1/2												
	24	170	52 1/4		47 1/2												
	30	180	58 1/4		53 1/2												
	36	190	64 1/4		59 1/2												
	48	210	76 1/4		71 1/2												
60	230	88 1/4	83 1/2														
PHYD308	12	164	43	7 1/2	37 1/4	3	3/4	1/2	12 3/8	7	16	6	1 1/4	8 3/4	2010	3 3/8	2 1/2
	18	174	49		43 1/4												
	24	184	55		49 1/4												
	30	195	61		55 1/4										2513	4 5/16	2 1/2
	36	205	67		61 1/4												
	48	225	79		73 1/4												
60	245	91	85 1/4														
PHYD400	12	195	47 1/4	7 1/2	41 1/4	3	3/4	1/2	14 1/2	7	20	7	1 1/4	8 3/4	2513	4 5/16	2 3/4
	18	205	53 1/4		47 1/4												
	24	215	59 1/4		53 1/4												
	30	225	65 1/4		59 1/4										3213	4 5/8	3 1/4
	36	235	71 1/4		65 1/4												
	48	256	83 1/4		77 1/4												
60	276	95 1/4	89 1/4														
PHYD500	12	341	54 1/8	8 1/2	47	4	7/8	3/4	16 1/2	7 3/4	23 1/2	8 1/2	1 1/2	10 3/4	3217	5 7/8	3 1/4
	18	358	60 1/8		53												
	24	375	66 1/8		59												
	30	393	72 1/8		65										4017	3 1/2	
	36	410	78 1/8		71												
	48	445	90 1/8		83												
60	480	102 1/8	95														
PHYD600	12	584	61 3/4	10 1/2	54 1/4	6	1	3/4	20 5/8	10 1/4	25 3/4	10	2	13 3/4	4020	5 3/4	2 1/4
	18	609	67 3/4		60 1/4												
	24	633	73 3/4		66 1/4												
	30	658	79 3/4		72 1/4										5020	2 3/4	
	36	683	85 3/4		78 1/4												
	48	732	97 3/4		90 1/4												
60	782	109 3/4	102 1/4														

Cylinders above are available for each travel length.

PRECISION HEAVY DUTY (PHYD)



- Saddle movement assisted with hydraulic cylinder
- Uses standard rod end trunion mount cylinders
- Standard set up is pull
- PHYD 200-600 use angle iron
- PHYD 800 -1000 use heavy wall square tubing
- Stainless steel threaded rods are available

Size	Travel	Wt.	B	C	D	E	F Bolt Dia	H	L	N	P	Q	S Rod Dia	W	Available Cylinders	G	X
PHYD800	12	805	71 5/8	12	60 7/8	6	1 1/4	3/4	29 1/8	12 3/4	33	12	2 1/2	12	5020	5 3/4	2 1/2
	18	829	77 5/8		66 7/8												
	24	853	83 5/8		72 7/8												
	30	877	89 5/8		78 7/8												
	36	901	95 5/8		84 7/8												
	48	950	107 5/8		96 7/8												
	60	1003	119 5/8		108 7/8												
PHYD1000	12	1266	78 1/4	14	66 1/2	6	1 1/2	3/4	33 1/4	15 5/8	36	14	3	14	6025	6 3/4	3 1/4
	18	1306	84 1/4		72 1/2												
	24	1345	90 1/4		78 1/2												
	30	1384	96 1/4		84 1/2												
	36	1423	102 1/4		90 1/2												
	48	1501	114 1/4		102 1/2												
	60	1580	126 1/4		114 1/2												

Cylinders above are available for each travel length.

Mounting holes (D&T) for pillow blocks are done per order. For other sizes, contact your local PPI Representative.

Hydraulic cylinders are shipped separate from the Take-Up Frame.

X value represents nominal dimensions with PPI supplied hydraulic cylinders.

See page 10 for PHYD hydraulic cylinders. To specify a PPI PHYD frame, select a cylinder from page 10, then add an "x" and the travel length.

For example: **PHYD400-2513x24** for a 400 frame, suitable for a 2513 cylinder and 24" of travel.

HYD2513x24 for a cylinder with 2.5" bore, 1.375" rod with 24" stroke with clevis and pin.

PHYD HYDRAULIC CYLINDERS

All PHYD frames are set up for pull applications, unless specified on the order

All PHYD frames are designed for series 2HD head trunion mount cylinders (NFPA #MT1)

All PHYD frames are to be used with pillow block bearings

Hydraulic cylinders have lip seals and SAE ports, they extend past the frame approximately equal to the stroke plus X inches (refer to drawing on page 8)



Part Number	Cylinder		Area		Max Force		Max Pressure		Max Push Stroke* (in)	SAE Port Size
	Bore (in)	Rod (in)	Pull (sq in)	Push (sq in)	Pull (lb)	Push (lb)	Pull (psi)	Push (psi)		
PHYD300-2010	2	1	2357	3142	5,800	6,000	2,461	1,910	24	8 or 10
PHYD308-2010	2	1	2357	3142	5,800	8,000	2,461	2,546	18	8 or 10
PHYD308-2513	2 1/2	1 3/8	3,424	4,909	8,500	9,000	2,482	1,833	30	
PHYD400-2513	2 1/2	1 3/8	3,424	4,909	8,500	12,000	2,482	2,444	30	8 or 10
PHYD400-3213	3 1/4	1 3/8	6,811	8,296	12,000	12,000	1,762	1,446		12
PHYD500-3217	3 1/4	1 3/4	5,891	8,296	14,500	18,000	2,461	2,170	30	12
PHYD500-4017	4	1 3/4	10,161	12,566	18,000	18,000	1,771	1,432		
PHYD600-4020	4	2	9,424	12,566	23,000	30,000	2,441	2,387	30	12
PHYD600-5020	5	2	16,493	19,635	30,000	30,000	1,819	1,528		
PHYD800-5020	5	2	16,493	19,635	36,000	43,000	2,183	2,190	30	12
PHYD800-6025	6	2 1/2	23,365	28,274	50,000	50,000	2,140	1,768		16
PHYD1000-6025	6	2 1/2	23,365	28,274	50,000	62,000	2,140	2,193	30	16
PHYD1000-7030	7	3	31,416	38,485	70,000	85,000	2,228	2,209		20
PHYD1000-8035	8	3 1/2	40,644	50,265	90,000	90,000	2,214	1,791		24

*Cylinders beyond max push stroke may have to be adjusted for the application, which will increase the X dimension. Consult PPI engineers for push applications beyond the max push stroke.

- To specify a PPI PHYD frame, add a "x" and the travel length to the part numbers above. For example:
PHYD400-2513x24 for a 400 frame, suitable for a 2513 cylinder and 24" of travel
PHYD2513x24, for a cylinder with 2.5 bore, 1.375 rod with 24" stroke with clevis and pin
- Cylinders are available with an optional boot to protect the rod, add a B to the end of the cylinder part number
- For frame dimensions, see pages 8 & 9
- For other sizes & capacities, contact your local PPI Representative
- Hydraulic cylinders are shipped separate from the Take-Up Frame to minimize damage

WHICH HOSE KIT TO ORDER

CYLINDER SIZE	HOSE KIT
2010	M HOSE or M HOSE L
2513	M HOSE or M HOSE L
3217	M HOSE or M HOSE L
4017	M HOSE or M HOSE L
4020	M HOSE or M HOSE L
5020	M HOSE or M HOSE L
6025	L HOSE or L HOSE L
7030	L HOSE or L HOSE L
8035	X HOSE or X HOSE L

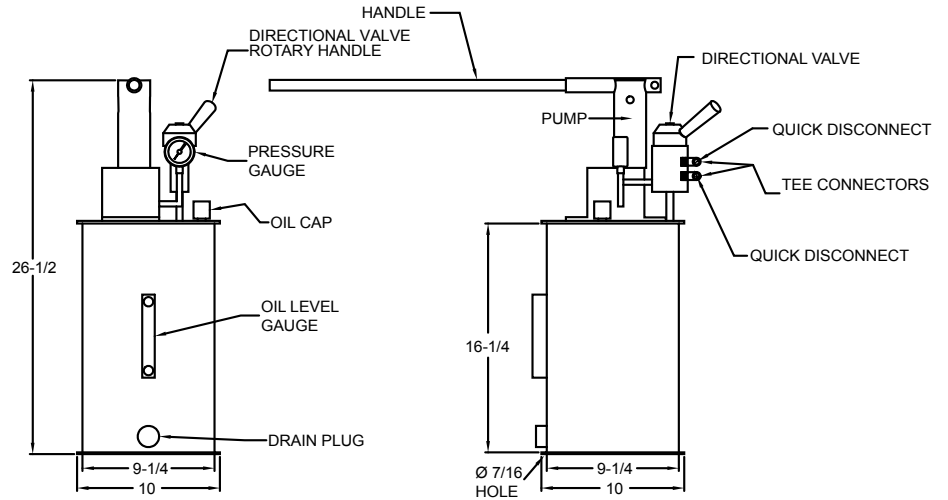
See page 11 for hose detail.

HYDRAULIC HAND PUMP & HOSE KITS

HYDH PUMP (75 lb)

QTY	DESCRIPTION
1	Hand pump
1	Reservoir (5 GAL) with oil level gauge, drain & cap
1	Directional valve
2	Tee connector
2	Quick disconnect socket
2	Quick disconnect Plug

Note: Oil is not included



M HOSE - 15.8 lb

QTY	DESCRIPTION
1	Diameter: 3/8" • Length: 3'
1	Diameter: 3/8" • Length: 6'
1	Diameter: 3/8" • Length: 12'
1	Diameter: 3/8" • Length: 15'
4	#10 to #8 SAE Port adapters
4	#12 to #8 SAE Port adapters
2	Quick connect socket (coupler)
2	Quick connect plug

M HOSE L - 29.8 lb

QTY	DESCRIPTION
1	Diameter: 3/8" • Length: 20'
1	Diameter: 3/8" • Length: 23'
1	Diameter: 3/8" • Length: 30'
1	Diameter: 3/8" • Length: 33'
4	#10 to #8 SAE Port adapters
4	#12 to #8 SAE Port adapters
2	Quick connect socket (coupler)
2	Quick connect plug

L HOSE - 18.2 lb

QTY	DESCRIPTION
1	Diameter: 3/8" • Length: 3'
1	Diameter: 3/8" • Length: 6'
1	Diameter: 3/8" • Length: 12'
1	Diameter: 3/8" • Length: 15'
4	#16 to #8 SAE Port adapters
4	#20 to #8 SAE Port adapters
2	Quick connect socket (coupler)
2	Quick connect plug

L HOSE L - 32.2 lb

QTY	DESCRIPTION
1	Diameter: 3/8" • Length: 20'
1	Diameter: 3/8" • Length: 23'
1	Diameter: 3/8" • Length: 30'
1	Diameter: 3/8" • Length: 33'
4	#16 to #8 SAE Port adapters
4	#20 to #8 SAE Port adapters
2	Quick connect socket (coupler)
2	Quick connect plug

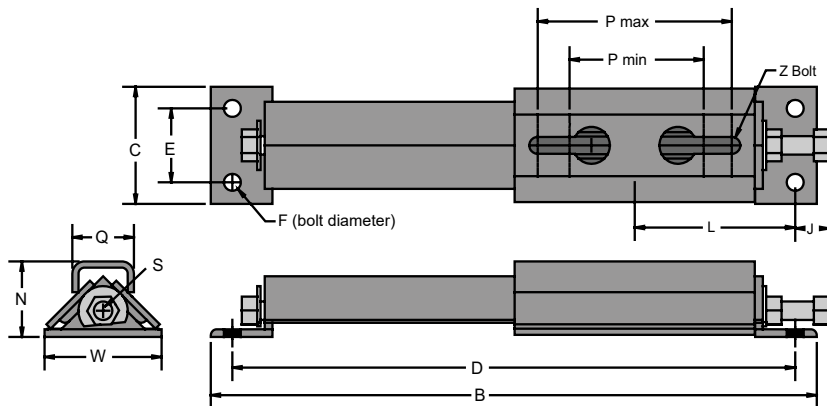
X HOSE - 19.8 lb

QTY	DESCRIPTION
1	Diameter: 3/8" • Length: 3'
1	Diameter: 3/8" • Length: 6'
1	Diameter: 3/8" • Length: 12'
1	Diameter: 3/8" • Length: 15'
4	#16 to #8 SAE Port adapters
4	#24 to #16 SAE Port adapters
2	Quick connect socket (coupler)
2	Quick connect plug

X HOSE L - 33.8 lb

QTY	DESCRIPTION
1	Diameter: 3/8" • Length: 20'
1	Diameter: 3/8" • Length: 23'
1	Diameter: 3/8" • Length: 30'
1	Diameter: 3/8" • Length: 33'
4	#16 to #8 SAE Port adapters
4	#24 to #16 SAE Port adapters
2	Quick connect socket (coupler)
2	Quick connect plug

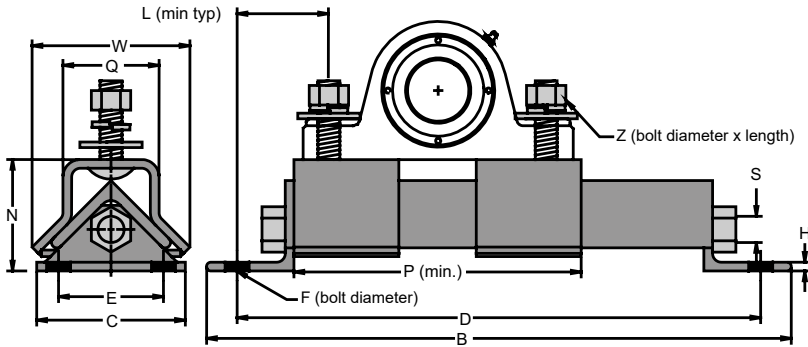
PRECISION MEDIUM DUTY (PMD)



- Heavy duty 1-piece saddle design for 2-bolt pillow block bearings
 - Low profile design for tight applications
 - Uses standard 2-bolt pillow block bearings
 - Uses "carriage bolts" (Round head square neck bolts)(not included)
 - Stainless steel threaded rods are available
- *Mounting bolts are NOT included

Size	Travel	Weight	B	C	D	E	F Bolt Dia	J	L	N	P		Q	S Rod Dia	W	Z Bolt Dia x Length
											min	max				
PMD100	6	14	19 1/2	3 3/4	18	2 1/2	3/8	13/4	47/16	23/4	27/8	4 1/4	2 1/8	3/4	33/4	3/8 x 1-1/2
	9	15	22		20 1/2											
	12	16	25		23 1/2											
	18	19	33 1/2		32											
PMD108	6	15	19 1/2	3 3/4	18	2 1/2	3/8	13/4	5 1/4	23/4	47/16	6	2 3/8	3/4	33/4	1/2 x 2-1/2
	9	16	22		20 1/2											
	12	17	25		23 1/2											
	18	20	33 1/2		32											
	24	23	39 1/2		38											
PMD200	6	18	22 1/4	3 3/4	20 3/4	2 1/2	1/2	13/4	5 1/2	23/4	5 3/4	7	2 1/2	3/4	4	5/8 x 3
	12	20	28 1/4		26 3/4											
	18	23	34 1/4		32 3/4											
	24	26	40 1/4		38 3/4											
	30	29	46 1/4		44 3/4											
PMD208	6	24	22 1/4	4 3/4	20 1/2	3	5/8	17/8	6 7/8	33/16	5 3/4	7 1/2	2 7/8	3/4	4 1/2	5/8 x 3
	12	27	28 1/4		26 1/2											
	18	30	34 1/4		32 1/2											
	24	33	40 1/4		38 1/2											
	30	37	46 1/4		44 1/2											
	36	40	52 1/4		50 1/2											
PMD300	12	57	33 1/4	5	31 1/2	3	3/4	2 1/4	8 3/8	4 1/8	7 5/16	11 1/16	3 3/4	1	5 3/8	3/4 x 3-1/2
	18	63	39 1/4		37 1/2											
	24	69	45 1/4		43 1/2											
	30	75	51 1/4		49 1/2											
	36	81	57 1/4		55 1/2											
	42	87	63 1/4		61 1/2											
	48	93	69 1/4		67 1/2											
PMD308	12	61	33 1/4	5	31 1/2	3	3/4	2 1/4	9 1/4	4 1/8	7 3/16	11 1/16	4 3/8	1	5 3/8	7/8 x 4
	18	67	39 1/4		37 1/2											
	24	73	45 1/4		43 1/2											
	30	79	51 1/4		49 1/2											
	36	85	57 1/4		55 1/2											
	42	91	63 1/4		61 1/2											
	48	97	69 1/4		67 1/2											

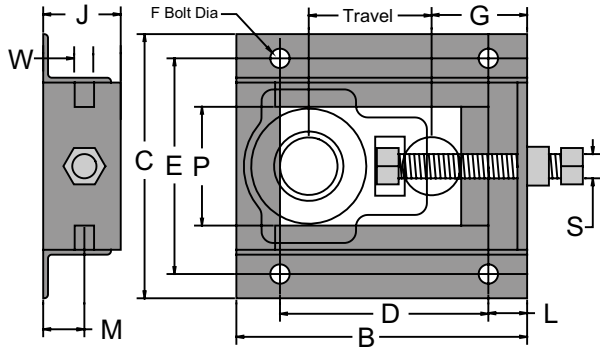
PRECISION LIGHT DUTY (PLD)



- Two-piece saddle design for 2-bolt, 1-piece pillow blocks (ball, tapered or spherical)
- Extra wide saddle halves for extra strength
- Pillow block mounting bolts included
- Uses standard 2-bolt pillow block bearings
- Stainless steel threaded rods are available

Size	Travel	Weight	B	C	D	E	F Bolt Dia	H	L	N	P	Q	S Rod Dia	W	Z Bolt Dia x Length
PLD100	6	11	19 1/2	3 1/2	18	2 1/2	1/2	3/16	2	2 3/4	5	2 1/4	3/4	4	3/8 x 1-1/2
	9	12	22		20 1/2										
	12	13	25		23 1/2										
	18	16	33 1/2		32										
PLD108	6	11	19 1/2	3 1/2	18	2 1/2	1/2	3/16	2	2 3/4	5	2 1/4	3/4	4	1/2 x 2-1/2
	9	12	22		20 1/2										
	12	13	25		23 1/2										
	18	16	33 1/2		32										
	24	19	39 1/2		38										
PLD200	6	12	22 1/4	3 1/2	20 3/4	2 1/2	1/2	3/16	2	2 3/4	5	2 1/4	3/4	4	5/8 x 3
	12	15	28 1/4		26 3/4										
	18	17	34 1/4		32 3/4										
	24	19	40 1/4		38 3/4										
	30	22	46 1/4		44 3/4										
PLD208	6	17	22 1/4	4 1/4	20 1/2	3	5/8	1/4	2 5/8	3 3/16	6	2 3/4	3/4	4 1/2	5/8 x 3
	12	21	28 1/4		26 1/2										
	18	24	34 1/4		32 1/2										
	24	27	40 1/4		38 1/2										
	30	30	46 1/4		44 1/2										
	36	34	52 1/4		50 1/2										
PLD300	12	37	33 1/4	5	31 1/2	3	3/4	5/16	2 7/8	4 1/8	7	3 1/2	1	5 1/2	3/4 x 3-1/2
	18	42	39 1/4		37 1/2										
	24	47	45 1/4		43 1/2										
	30	52	51 1/4		49 1/2										
	36	57	57 1/4		55 1/2										
	42	62	63 1/4		61 1/2										
	48	67	69 1/4		67 1/2										
PLD308	12	38	33 1/4	5	31 1/2	3	3/4	5/16	2 7/8	4 1/8	7	3 1/2	1	5 1/2	7/8 x 4
	18	43	39 1/4		37 1/2										
	24	48	45 1/4		43 1/2										
	30	53	51 1/4		49 1/2										
	36	58	57 1/4		55 1/2										
	42	63	63 1/4		61 1/2										
	48	68	69 1/4		67 1/2										

PRECISION WIDE SLOT (PWS)

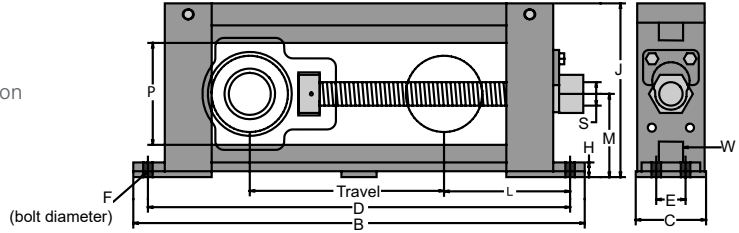


- Compact design for tight installations
- Side mount
- Use wide slot ball bearings
- In-line frame; rod force is at the center line of the bearing
- Stainless steel threaded rods are available

Size	Travel	Wt.	B	C	D	E	F Bolt Dia	# of Bolts	G	J	L	M	P	S Rod Dia	W Bar Width
PWS100	1 1/2	6	7 1/2	7 5/16	5 3/8	5 9/16	7/16	4	2 15/16	2	1	1 1/16	3 1/16	5/8	7/16
	3	7	9		6 7/8			4							
	6	8	12		4 15/16			6							
	9	10	15		6 7/16			6							
	12	12	18		7 15/16			6							
PWS108	3	7	9 1/8	7 13/16	6 7/16	6 1/16	7/16	4	3 11/16	2	1	1 1/4	3 9/16	3/4	7/16
	6	9	12 1/8		9 7/16			4							
	9	11	15 1/8		6 7/32			6							
	12	13	18 1/8		7 23/32			6							
	18	17	24 1/8		10 23/32			6							
PWS200	3	11	10 3/4	8 9/16	8 1/2	7 5/16	1/2	4	4 5/16	2 1/2	1 1/8	1 7/16	4 1/16	1	5/8
	6	13	13 3/4		11 1/2			4							
	9	16	16 3/4		7 1/4			6							
	12	18	19 3/4		8 3/4			6							
	18	23	25 3/4		11 3/4			6							
	24	29	31 3/4		14 3/4			6							
PWS208	3	18	11 3/4	10 11/16	9 1/2	8 5/8	9/16	4	5 11/16	3	1 1/8	1 1/2	5 3/16	1 1/4	1
	6	22	14 3/4		12 1/2			4							
	9	26	17 3/4		15 1/2			4							
	12	29	20 3/4		9 1/4			6							
	18	37	26 3/4		12 1/4			6							
	24	45	32 3/4		15 1/4			6							
	30	52	38 3/4		18 1/4			6							
PWS300	9	41	20 7/8	12	17 1/2	10 1/4	5/8	4	6 1/2	3 1/2	2 1/2	2	6	1 1/2	1
	12	46	23 7/8		10 1/4			6							
	18	57	29 7/8		13 1/4			6							
	24	67	35 7/8		16 1/4			6							
	30	78	41 7/8		19 1/4			6							
PWS308	9	42	20 7/8	12 9/16	17 1/2	10 13/16	5/8	4	6 1/2	3 1/2	2 1/2	2	6 9/16	1 1/2	1
	12	47	23 7/8		10 1/4			6							
	18	57	29 7/8		13 1/4			6							
	24	68	35 7/8		16 1/4			6							
	30	78	41 7/8		19 1/4			6							

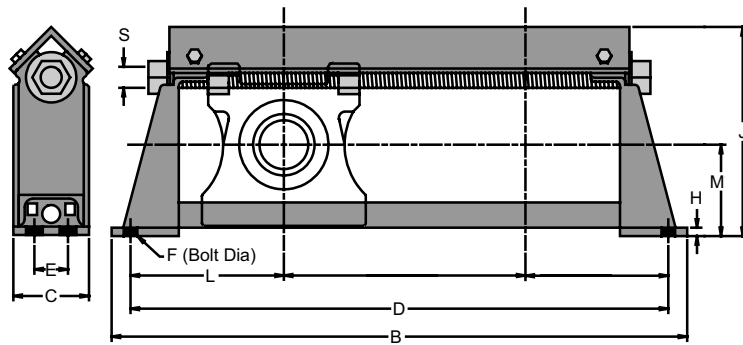
PRECISION CENTER PULL (PCP)

- Symmetrical foot mounted frame; pull or install from either direction
- In-line frame; rod force is at the center line of the bearing
- Can be retro-fitted to a standard hydraulic cylinder (NFPA #MF1)
- Stainless steel threaded rods are available



Size	Travel	Wt.	B	C	D	E	F Bolt Dia	H	J	L	M	P	S Rod Dia	Actual Travel	W Bar Width
PCP108	12	28	28	3	26	N/A	1/2	1	6 7/8	5 1/8	37/16	39/16	3/4	16 1/8	7/16
	18	32	34		32									22 1/8	
	24	37	40		38									28 1/8	
	30	41	46		44									34 1/8	
	36	46	52		50									40 1/8	
PCP200	12	51	29 1/2	4	27 1/2	N/A	5/8	1 1/8	8 1/4	6 1/16	315/16	4 1/16	1	15 13/16	5/8
	18	59	35 1/2		33 1/2									21 13/16	
	24	67	41 1/2		39 1/2									27 13/16	
	30	75	47 1/2		45 1/2									33 13/16	
	36	83	53 1/2		51 1/2									39 13/16	
PCP203	12	57	29 1/2	4	27 1/2	N/A	5/8	1 1/8	9 1/4	6 11/16	47/16	49/16	1 1/8	15 1/16	3/4
	18	66	35 1/2		33 1/2									21 1/16	
	24	75	41 1/2		39 1/2									27 1/16	
	30	85	47 1/2		45 1/2									33 1/16	
	36	94	53 1/2		51 1/2									39 1/16	
PCP208	12	61	30 1/2	4	28 1/2	N/A	3/4	13/16	9 1/2	7 1/16	43/8	5 3/16	1 1/4	15 1/2	1
	18	71	36 1/2		34 1/2									21 1/2	
	24	82	42 1/2		40 1/2									27 1/2	
	30	92	48 1/2		46 1/2									33 1/2	
	36	103	54 1/2		52 1/2									39 1/2	
PCP300	12	109	32 1/2	5	30 1/2	2	5/8	7/8	11 1/4	7 13/16	5 1/8	6	1 1/2	16 1/16	13/4
	18	126	38 1/2		36 1/2									22 1/16	
	24	144	44 1/2		42 1/2									28 1/16	
	30	161	50 1/2		48 1/2									34 1/16	
	36	178	56 1/2		54 1/2									40 1/16	
PCP308	12	122	34 1/4	5	32	2	3/4	1	12 1/8	8 9/16	5 5/8	6 7/8	1 3/4	16 5/16	13/4
	18	141	40 1/4		38									22 5/16	
	24	159	46 1/4		44									28 5/16	
	30	178	52 1/4		50									34 5/16	
	36	196	58 1/4		56									40 5/16	
PCP400 PCP400LB	12	198	38 1/2	6	36	2 1/2	3/4	1 1/4	14 13/16	10 3/4	7	8 11/16	2 (1 3/4 LB)	16 9/16	2
	18	224	44 1/2		42									22 9/16	
	24	250	50 1/2		48									28 9/16	
	30	276	56 1/2		54									34 9/16	
	36	303	62 1/2		60									40 9/16	
PCP408	12	294	45 3/4	9	40 3/4	5	1 1/8	1 1/4	16 1/16	11 15/16	7 1/2	9 9/16	2	18 13/16	2
	18	326	51 3/4		46 3/4									24 13/16	
	24	358	57 3/4		52 3/4									30 13/16	
	30	389	63 3/4		58 3/4									36 13/16	
	36	421	69 3/4		64 3/4									42 13/16	
PCP500	12	355	49 1/2	10	44 1/2	5 1/2	1 1/8	1 1/2	17 1/16	13 5/8	8 1/8	10 5/16	2 1/4	20	2
	18	388	55 1/2		50 1/2									26	
	24	421	61 1/2		56 1/2									32	
	30	453	67 1/2		62 1/2									38	
	36	486	73 1/2		68 1/2									44	

PRECISION PROTECTED ANGLE (PPA)

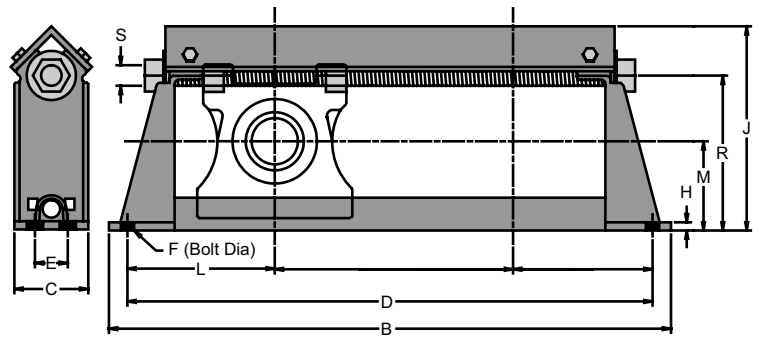


- Protected Top Angle Take-Up Frame
- Fits channel bottom housings (SFK & Linkbelt)
- Frame can be disassembled and reassembled around housing
- Stainless steel threaded rods are available

Size	Travel	Wt.	B	C	D	E	F Bolt Dia	H	J	L	M	S Rod Dia	Actual Travel
PPA200	12	28	28 1/2	3 1/2	26 1/2	N/A	5/8	1/2	8 1/2	6 1/4	3 15/16	3/4	14
	18	34	34 1/2		32 1/2								20
	24	39	40 1/2		38 1/2								26
PPA203	12	34	29 1/2	3 1/2	27 1/2	N/A	5/8	1/2	9 1/8	6 5/8	4 3/16	3/4	14 1/4
	18	41	35 1/2		33 1/2								20 1/4
	24	47	41 1/2		39 1/2								26 1/4
PPA208	12	44	30 1/2	4	28 1/2	N/A	3/4	1/2	10	7 1/4	4 3/8	7/8	14
	18	53	36 1/2		34 1/2								20
	24	61	42 1/2		40 1/2								26
	30	70	48 1/2		46 1/2								32
	36	78	54 1/2		52 1/2								38
PPA300	12	52	32 1/2	4 1/2	30 1/2	2	5/8	1/2	11	7 3/4	5 1/8	1	15
	18	61	38 1/2		36 1/2								21
	24	70	44 1/2		42 1/2								27
	30	80	50 1/2		48 1/2								33
	36	88	56 1/2		54 1/2								39
PPA308	12	66	34 1/4	4 1/2	32	2	3/4	1/2	12 3/8	8 15/16	5 5/8	1 1/8	15
	18	78	40 1/4		38								21
	24	89	46 1/4		44								27
	30	100	52 1/4		50								33
	36	111	58 1/4		56								39
	42	121	64 1/4		62								45
	48	131	70 1/4		68								51
PPA400	12	90	38 1/2	5 1/2	36	2 1/2	3/4	3/4	14 11/16	10 3/8	7	1 1/4	15 1/4
	18	103	44 1/2		42								21 1/4
	24	114	50 1/2		48								27 1/4
	30	127	56 1/2		54								33 1/4
	36	138	62 1/2		60								39 1/4
	42	148	68 1/2		66								45 1/4
	48	158	74 1/2		72								51 1/4
PPA408	12	92	38 1/2	5 1/2	36	2 1/2	3/4	3/4	15 3/4	10 3/8	7 1/2	1 1/4	15 1/4
	18	106	44 1/2		42								21 1/4
	24	116	50 1/2		48								27 1/4
	30	130	56 1/2		54								33 1/4
	36	140	62 1/2		60								39 1/4
	42	151	68 1/2		66								45 1/4
	48	161	74 1/2		72								51 1/4

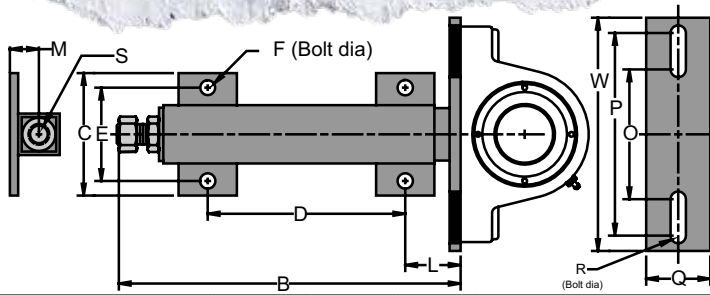
PRECISION TOP ANGLE (PTA)

- Protected Top Angle Take-Up Frame
- Fits round bottom housings (Dodge & Linkbelt Type E)
- Frame can be disassembled and reassembled around housing
- Stainless steel threaded rods are available



Size	Travel	Wt.	B	C	D	E	F Bolt Dia	H	J	L	M	R	S Rod Dia	Actual Travel
PTA200	12	25	28 1/2	3 1/2	26 1/2	N/A	5/8	1/2	8 1/2	6 1/4	3 15/16	6 1/4	3/4	14
	18	28	34 1/2		32 1/2									20
	24	32	40 1/2		38 1/2									26
PTA203	12	26	29 1/2	3 1/2	27 1/2	N/A	5/8	1/2	9 1/8	6 5/8	4 3/16	6 3/4	3/4	14 1/4
	18	30	35 1/2		33 1/2									20 1/4
	24	33	41 1/2		39 1/2									26 1/4
PTA208	12	38	30 1/2	4	28 1/2	N/A	3/4	1/2	10	7 1/4	4 3/8	7 3/8	1	14
	18	44	36 1/2		34 1/2									20
	24	50	42 1/2		40 1/2									26
	30	56	48 1/2		46 1/2									32
	36	62	54 1/2		52 1/2									38
PTA300	12	45	32 1/2	4 1/2	30 1/2	2	5/8	1/2	11	7 3/4	4 15/16	8 3/8	1	15
	18	51	38 1/2		36 1/2									21
	24	58	44 1/2		42 1/2									27
	30	65	50 1/2		48 1/2									33
	36	71	56 1/2		54 1/2									39
PTA308	12	57	34 1/4	4 1/2	32	2	3/4	1/2	12 3/8	8 15/16	5 7/16	9 1/4	1 1/4	15
	18	64	40 1/4		38									21
	24	71	46 1/4		44									27
	30	79	52 1/4		50									33
	36	86	58 1/4		56									39
	42	93	64 1/4		62									45
	48	100	70 1/4		68									51
PTA400	12	88	38 1/2	5 1/2	36	2 1/2	3/4	3/4	14 11/16	10 3/8	7	11 1/4	1 1/4	15 1/4
	18	98	44 1/2		42									21 1/4
	24	107	50 1/2		48									27 1/4
	30	118	56 1/2		54									33 1/4
	36	127	62 1/2		60									39 1/4
	42	137	68 1/2		66									45 1/4
	48	146	74 1/2		72									51 1/4

PRECISION SLIDE TUBE (PST)



- Slide tube design - Protects the screw from environment
- Side mount for unit ball & roller bearing pillow block bearings
- Standard grease zerck - fills the square tube to protect the screw
- In-line frame; rod force is at the center line of the bearing
- Pillow block mounting bolts are not included
- Stainless steel threaded rods are available

Frame	Travel	Weight	B	C	D	E	F Bolt Dia	L	M	O	P	Q	R Bolt Dia	S Rod Dia	W
PST250	3	6	9 7/8	4	4 3/8	3	1/2	2	1 1/8	3 1/16	5 15/16	2	5/8	3/4	7
	6	8	12 7/8		7 3/8										
	9	9	15 7/8		10 3/8										
	12	11	18 7/8		13 3/8										
	18	14	24 7/8		19 3/8										
PST300	6	15	15 5/8	5 1/4	6 1/8	4	5/8	2 1/4	1 1/2	5 9/16	8 11/16	2 3/4	3/4	1	10
	9	17	18 5/8		10 1/8										
	12	20	21 5/8		14 1/8										
	18	24	27 5/8		21 1/8										
	24	29	33 5/8		27 1/8										
	30	34	39 5/8		33 1/8										
	36	38	39 1/8		39 1/8										
PST350	6	21	16 3/8	6	9 5/8	4 1/2	5/8	2 3/8	1 3/4	5 9/16	8 11/16	3	3/4	1	10
	9	24	19 3/8		12 5/8										
	12	28	22 3/8		15 5/8										
	18	34	28 3/8		21 5/8										
	24	41	34 3/8		27 5/8										
	30	47	40 3/8		33 5/8										
	36	54	46 3/8		39 5/8										
PST400	6	46	23 1/4	7 1/2	14	5 1/2	3/4	2 7/8	2 1/8	8 1/2	11 3/4	3 1/2	7/8	1 1/2	14
	9	51	26 1/4		17										
	12	57	29 1/4		20										
	18	67	35 1/4		26										
	24	78	41 1/4		32										
	30	89	47 1/4		38										
	36	99	53 1/4		44										
	42	110	59 1/4		50										
	48	121	65 1/4		56										
PST500	12	199	37 3/4	11 1/2	25	9	1	3 3/4	3 1/2	Drilled to Order	Drilled to Order	7	Drilled to Order	2	20
	18	230	43 3/4		31										
	24	261	49 3/4		37										
	30	292	55 3/4		43										
	36	323	61 3/4		49										
	42	354	67 3/4		55										
	48	385	73 3/4		61										

WE KEEP IT MOVING





PPI[®]

WWW.PPI-GLOBAL.COM | SALES@PPI-GLOBAL.COM

Product shown are for illustrative purposes only and may display optional accessories or components. Please contact your sales representative for more information on product specifications.
PPI respectively reserves the right to make changes in engineering, design and specifications; add improvements; or discontinue manufacturing at any time without notice obligation.
PPI and its respective logos are trademarks of Precision, Inc. in the US and or other countries.