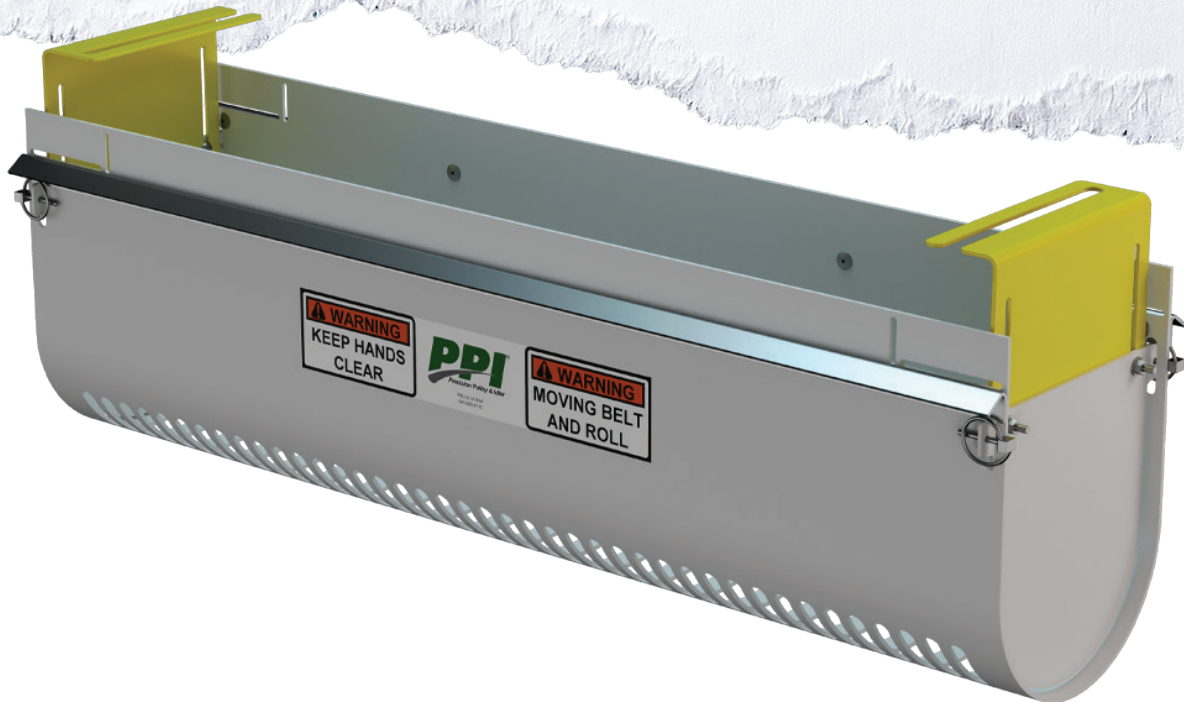


BASKET ROLL GUARD

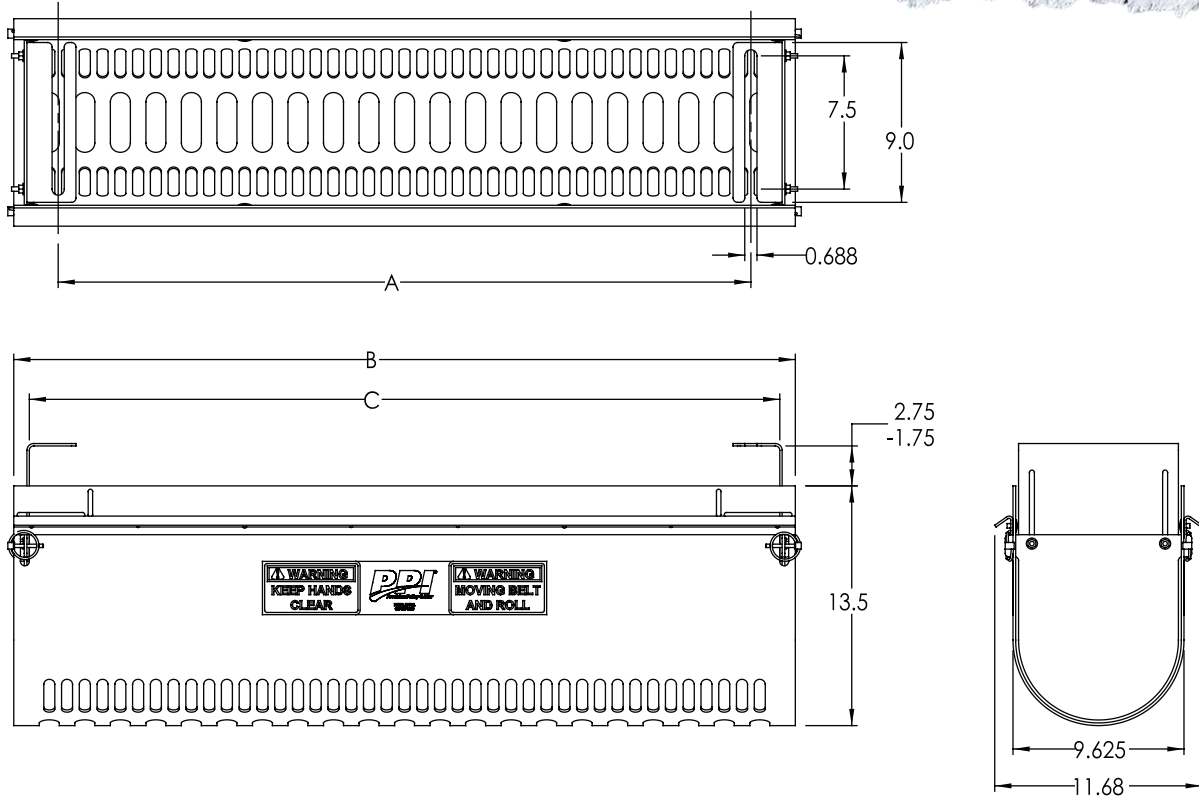


The Basket Roll Guard from PPI is designed to protect personnel from the hazard of being drawn between a spinning idler and a moving belt. Basket style guards also provide protection from falling rolls as a result of damaged return brackets or rolls that may have become dislodged from their support brackets. PPI's versatile design accepts many different foot pad bolt spacing patterns as well as return drop heights and roll diameters.

FEATURES AND BENEFITS

- Basket design minimizes danger from falling rolls
- Slotted bracket design accepts a variety of bolt patterns
- Wide brackets to avoid belt contact
- Adjustable for various roll diameters and drop heights
- Removable pins to allow for easy clean-out
- Large openings to avoid material build-up

BASKET ROLL GUARD



Belt Width	Part Number	A	B	C	Weight (lb)
18	34006-18	27	32	30.25	13.2
20	34006-20	29	34	32.25	13.6
24	34006-24	33	38	36.25	14.3
30	34006-30	39	44	42.25	15.5
36	34006-36	45	50	48.25	16.6
42	34006-42	51	56	54.25	17.8
48	34006-48	57	62	60.25	18.9
54	34006-54	63	68	66.25	20.0
60	34006-60	69	74	72.25	21.2

WWW.PPI-GLOBAL.COM | SALES@PPI-GLOBAL.COM

Product shown are for illustrative purposes only and may display optional accessories or components. Please contact your sales representative for more information on product specifications. PPI respectively reserves the right to make changes in engineering, design and specifications; add improvements; or discontinue manufacturing at any time without notice obligation. PPI and BeltSaver II and their respective logos are trademarks of Precision, Inc. in the US and or other countries.
PPI 117-02 Copyright ©2023 Precision Pulley & Idler, all rights reserved.