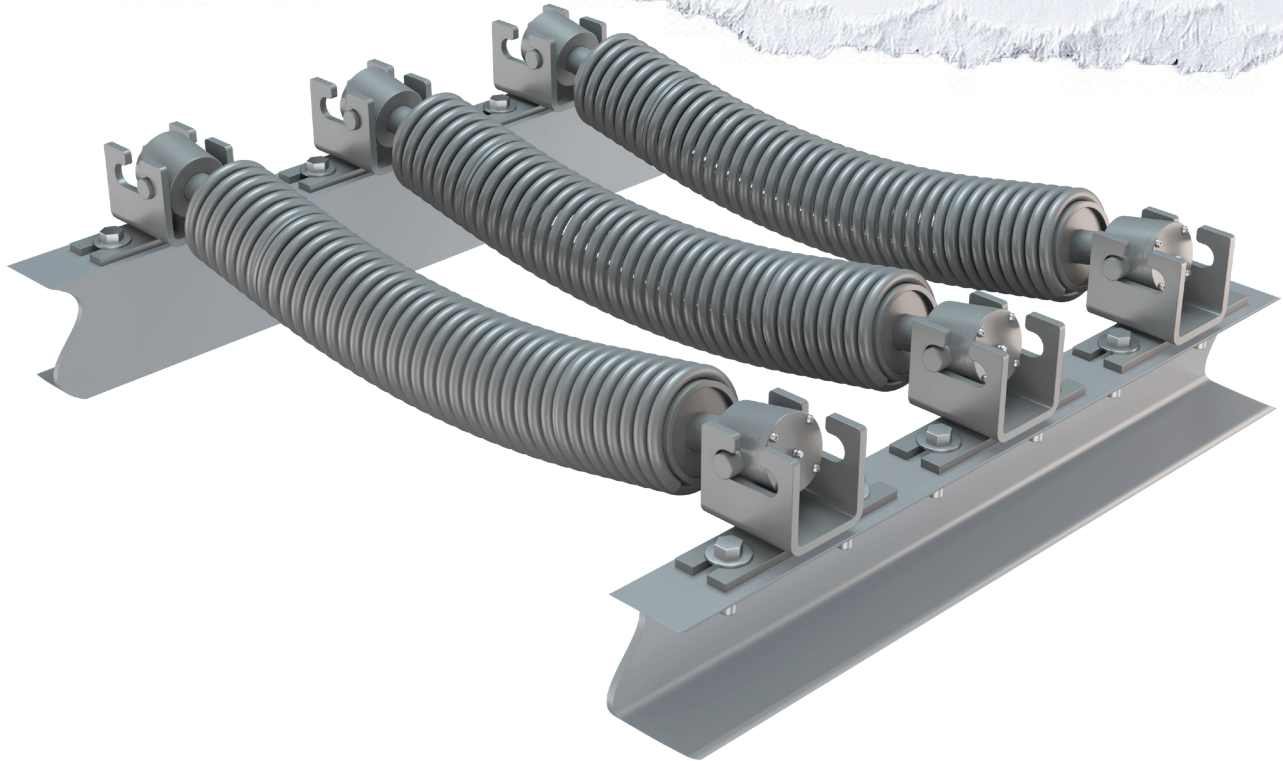


SPRING IMPACT ROLL

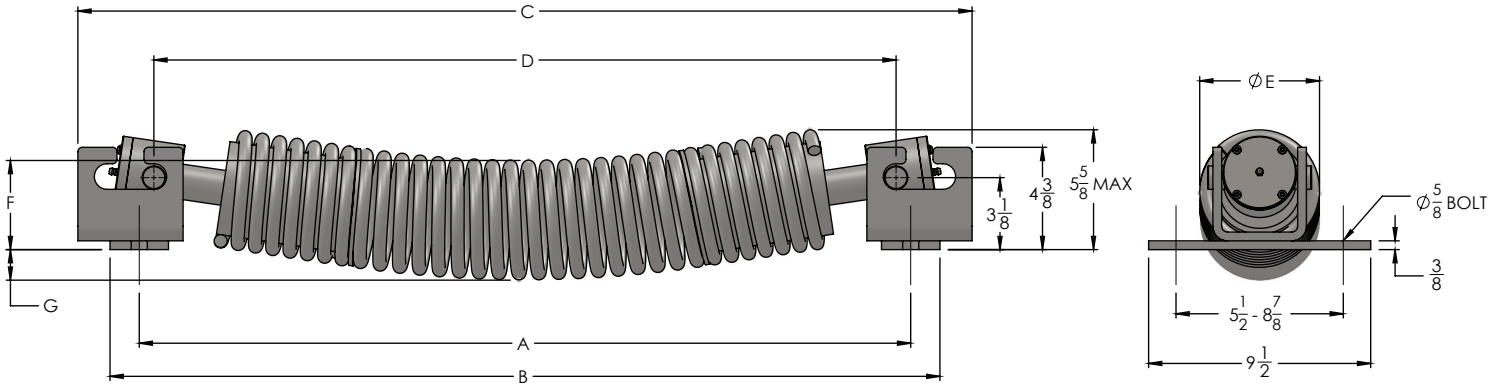


PPI's spring impact roll offers an impact solution that will adjust and flex as materials are being loaded on the belt. Made for impact, the springs form a trough providing total belt contact with no roll gaps. The durable spring is impact absorbent and self-cleaning, and the flexible nature of the idler aids in installation in tight impact areas.

FEATURES AND BENEFITS

- Durable components including heavy duty brackets
- Protected bearing housings and extra large grease reservoir providing long life
- Engineered brackets can be rotated to adjust trough depth
- Flexibility to handle light to heavy materials
- Handles impact and protects the structure
- Designed to be an easy bolt-in replacement for existing idlers
- Additional brackets available to match existing troughing idlers

SPRING IMPACT ROLL



SPRING IMPACT ROLL DIMENSIONS

BELT WIDTH	ROLL / BRACKET ASSEMBLY PART NUMBER*	TROUGH DEPTH	A	B	C	D	E	NO LOAD		MAX LOAD			WEIGHT
								F	G	LOAD	F	G	
24	33997-24A	High	33	35 1/2	38 1/4	31 3/4	5 1/8	4 1/16	1 1/16	240	- 1/8	5 1/4	75
		Low			36 3/4	30 3/4		2 1/2	2 5/8	180	- 7/16	5 9/16	
30	33997-30A	High	39	41 1/2	44 1/4	37 3/4	5 1/8	4 3/16	15/16	310	-2 11/16	7 13/16	81
		Low			42 3/4	36 1/4		3 3/16	1 15/16	230	-1 9/16	6 11/16	
36	33997-36A	High	45	47 1/2	50 1/4	43 3/4	5 1/8	3 7/8	1 1/4	440	-5 1/4	10 3/8	88
		Low			48 3/4	42 1/4		3 1/16	2 1/16	330	-4 7/16	9 9/16	
42	33997-42A	High	51	53 1/2	56 1/4	49 3/4	5 1/4	3 7/16	1 13/16	530	-5 9/16	10 13/16	110
		Low			54 3/4	48 1/4		2 7/16	2 13/16	365	-4 9/16	9 13/16	
48	33997-48A	High	57	59 1/2	62 1/4	55 3/4	5 1/4	2 3/4	2 1/2	730	-9 7/16	14 11/16	119
		Low			60 3/4	54 1/4		1 11/16	3 9/16	500	-7 3/4	13	
54	33997-54A	High	63	65 1/2	68 1/4	61 3/4	5 1/4	7/8	4 3/8	450	-9 1/4	14 1/2	130
		Low			66 3/4	60 1/4		- 3/8	5 5/8	380	-9	14 1/4	
60	33997-60A	High	69	71 1/2	74 1/4	67 3/4	5 1/4	- 1/8	5 3/8	535	-13 1/4	18 1/2	140
		Low			72 3/4	66 1/4		-1 3/8	6 5/8	400	-11 1/8	16 3/8	

*Roll only part numbers remove "A". Example P/N: 33997-24 would be roll only, no brackets.

WWW.PPI-GLOBAL.COM | SALES@PPI-GLOBAL.COM

Product shown are for illustrative purposes only and may display optional accessories or components. Please contact your sales representative for more information on product specifications. PPI respectively reserves the right to make changes in engineering, design and specifications; add improvements; or discontinue manufacturing at any time without notice obligation. PPI and its respective logos are trademarks of Precision, Inc. in the US and or other countries.