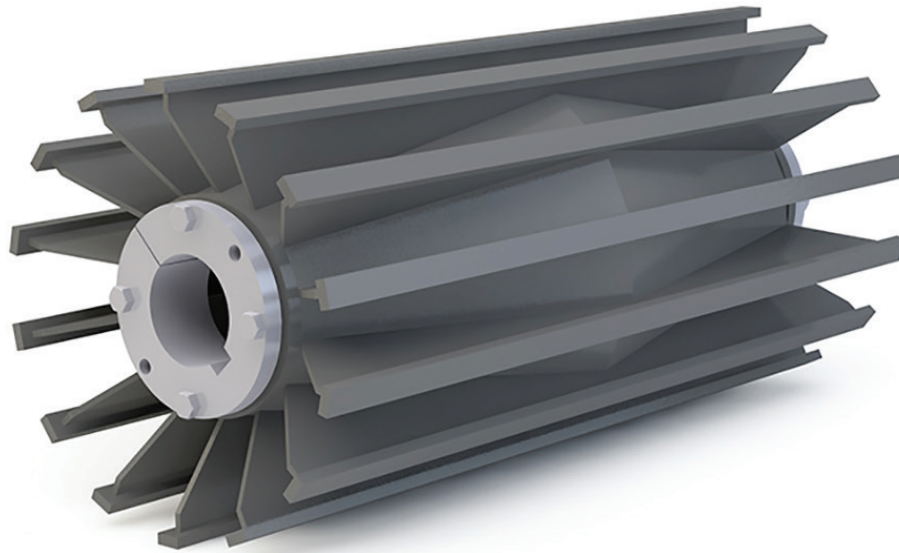


HEAVY DUTY WING (HDW) PULLEY



For aggressive belt cleaning the conventional wing pulley has been an industry standard. Its intermittent belt contact produces the impact required to dislodge some of the most problematic material build-up issues. Individual all-steel wings and gussets expel excessive build-up of material from the area of belt contact which enhances traction and reduces abrasion on both the belt and pulley. Where abrasion and excessive build-up conditions exist, the HDW pulley with self-cleaning action provides an excellent alternative to conventional drum style pulleys.

FEATURES AND BENEFITS

- Available in a wide range of sizes from 4" to 72" in diameter and face widths up to 66"
- Wing thickness 1/4"
- 1/4" x 1" contact bar on diameters 4" to 7" diameters
- 1/4" x 1 1/4" contact bar on 8" to 10" diameters
- 3/8" x 1 1/4" contact bar on 12" to 18" diameters
- 1/2" x 1 1/4" contact bar on 20" to 72" diameters

WWW.PPI-GLOBAL.COM | SALES@PPI-GLOBAL.COM

Product shown are for illustrative purposes only and may display optional accessories or components. Please contact your sales representative for more information on product specifications. PPI respectively reserves the right to make changes in engineering, design and specifications; add improvements; or discontinue manufacturing at any time without notice obligation. PPI and its respective logos are trademarks of Precision, Inc. in the US and or other countries.
PPI 104-03 Copyright ©2021 Precision Pulley & Idler, all rights reserved.