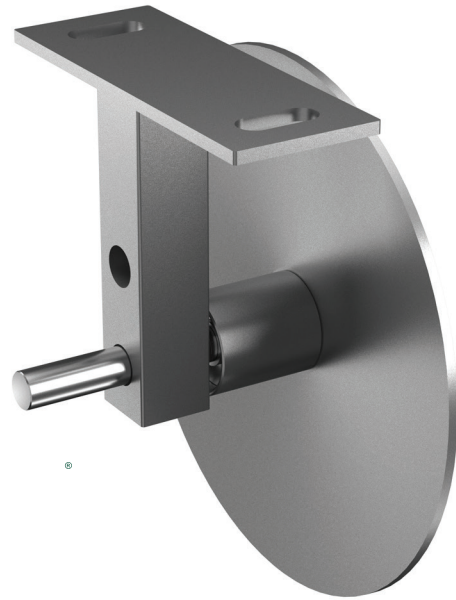


# SIDE GUIDE ROLLER



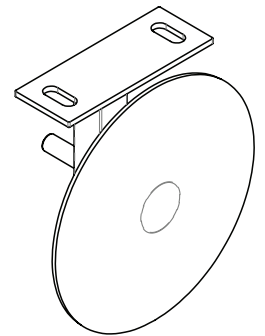
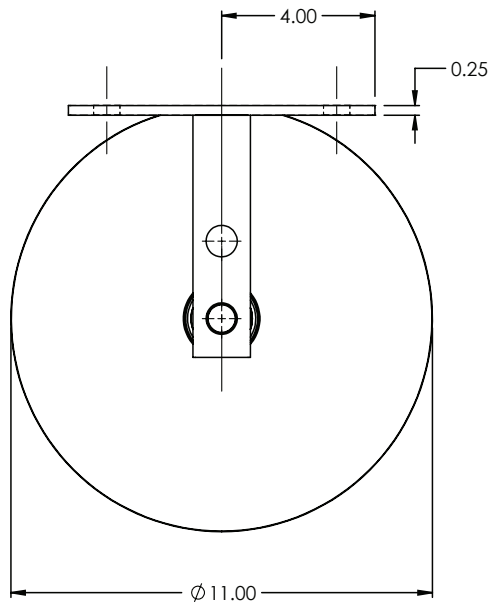
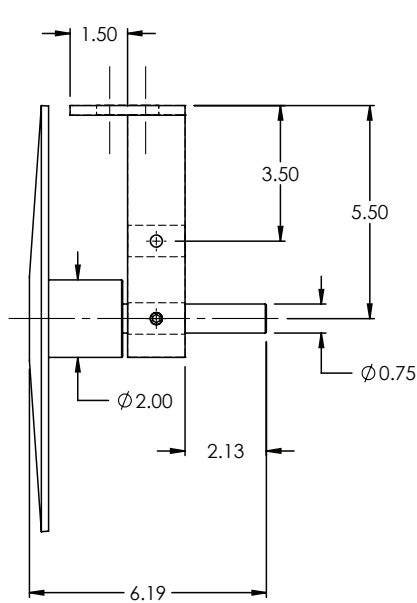
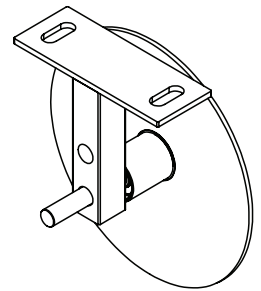
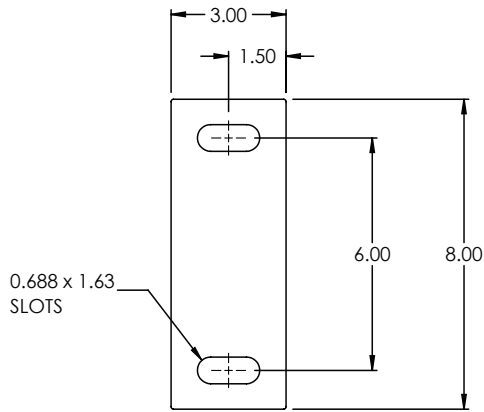
Designed with a smooth conical surface that rotates as the conveyor belt becomes misaligned from center line, PPI's Side Guide Roller provides protection to conveyor framework as well as providing training action to the conveyor belt.

## FEATURES AND BENEFITS

- Prevents belts from cutting conveyor framework
- Adjustable drop length, 3.5" or 5.5"
- Slotted footpad eases installation and allows adjustment
- Designed to match existing legacy product in the marketplace
- 11" diameter guide plate provides a large rotating surface keeping belt from contacting framework
- Assembly part #40313



# SIDE GUIDE ROLLER



[WWW.PPI-GLOBAL.COM](http://WWW.PPI-GLOBAL.COM) | [SALES@PPI-GLOBAL.COM](mailto:SALES@PPI-GLOBAL.COM)

Product shown are for illustrative purposes only and may display optional accessories or components. Please contact your sales representative for more information on product specifications. PPI respectively reserves the right to make changes in engineering, design and specifications; add improvements; or discontinue manufacturing at any time without notice obligation. PPI and its respective logos are trademarks of Precision, Inc. in the US and or other countries.