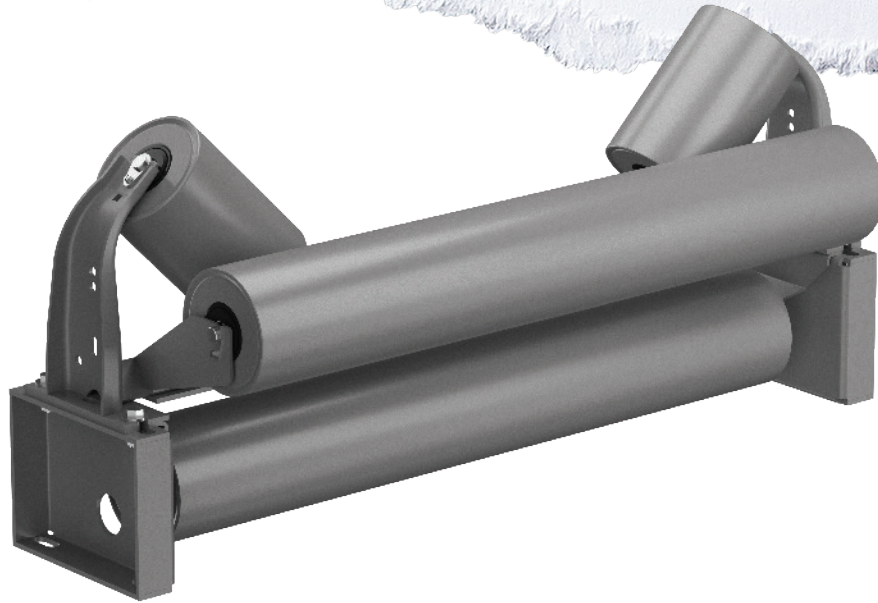
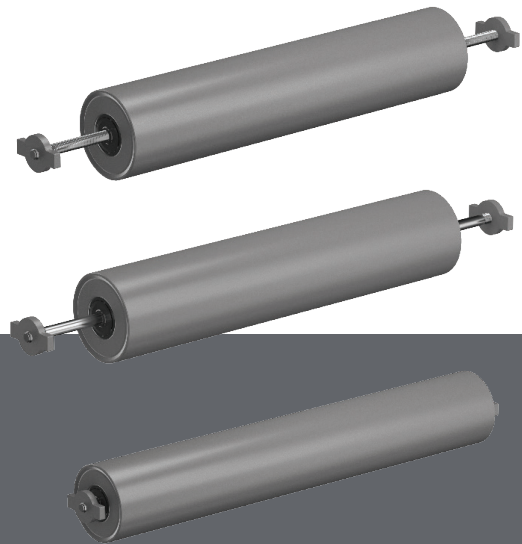


RETRO GRAIN IDLER



PPI has taken our retro roll expertise into the grain handling industry by retro fitting cast iron stanchion style idlers. Converting to PPI's sealed for life ball bearing eliminates the maintenance requirement on the older cast iron rolls equipped with a flange bearing design. Based on customer needs, PPI offers compatible idler assemblies from the ground up or specific retro rolls that drop into existing framework.



FEATURES AND BENEFITS

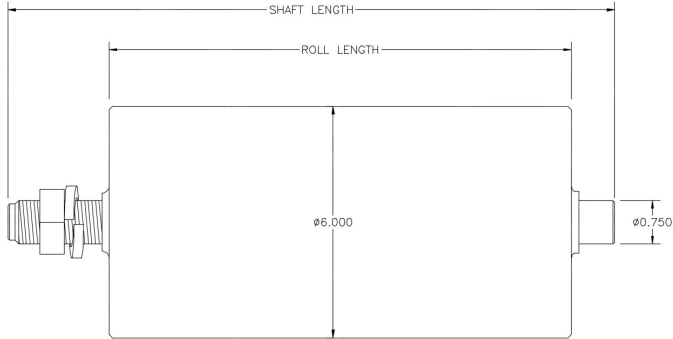
- Maintenance free ball bearing design
- Equipped with PPI's proven LXT seal system
- Low roll drag keeps HP requirements at a minimum
- Drop into existing framework
- Adjustable adapter nuts allow fine tune adjustment
- Available in CEMA C and D



RETRO GRAIN IDLER



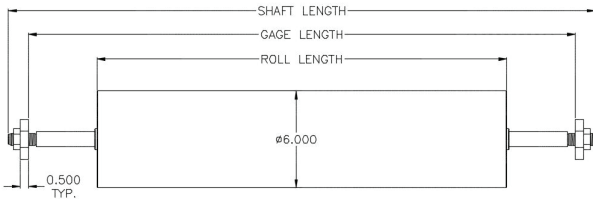
TROUGHING WING RETRO ROLL



PART NUMBER	ROLL DIAMETER	SHAFT DIAMETER	ROLL LENGTH	SHAFT LENGTH
AE794-8.375A*	6.000	0.750	8.375	11.000
AE738-8.500A	6.000	0.750	8.500	11.000
AE595-8.750A	6.000	0.750	8.750	11.000
AE257-9.000A	6.000	0.750	9.000	11.000

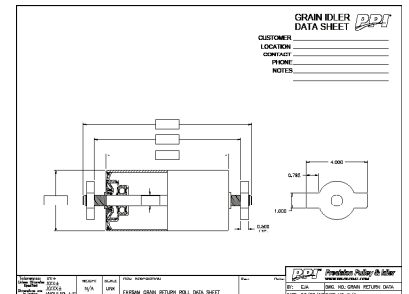
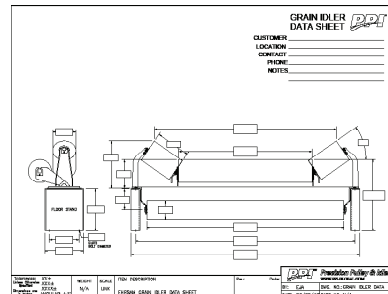
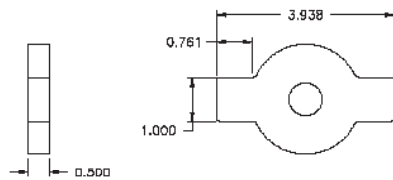
*Standard option

TROUGHING CENTER/RETURN RETRO ROLL WITH WING NUT ADAPTER



PART NUMBER	ROLL DIAMETER	SHAFT DIAMETER	ROLL LENGTH	GAUGE LENGTH	SHAFT LENGTH
AF245-27.000	6.000	0.750	27.000	32.000	35.500
40339-29.000	6.000	0.750	29.000	39.563	41.000
TB848-30.000	6.000	0.750	30.000	37.000	39.000
AF042-38.000	6.000	0.750	38.000	45.250	48.250
43421-12.000	6.000	1.000	12.000	16.000	18.500
AF914-14.000	6.000	1.000	14.000	32.000	34.000
AF914-21.000	6.000	1.000	21.000	38.750	41.000
TB401-23.500	6.000	1.000	23.500	32.750	35.500
AF914-28.500	6.000	1.000	28.500	46.000	48.500
AF939-28.750	6.000	1.000	28.750	45.250	46.750
43422-33.000	6.000	1.000	33.000	38.625	42.000
TB591-36.000	6.000	1.000	36.000	44.500	47.000
AF823-36.000	6.000	1.000	36.000	43.000	47.000
TB408-43.000	6.000	1.000	43.000	50.750	53.250
AE094-51.375	6.000	1.000	51.375	57.000	59.500

WING NUT DETAIL - P/N 40349



WWW.PPI-GLOBAL.COM | SALES@PPI-GLOBAL.COM

Product shown are for illustrative purposes only and may display optional accessories or components. Please contact your sales representative for more information on product specifications. PPI respectively reserves the right to make changes in engineering, design and specifications; add improvements; or discontinue manufacturing at any time without notice obligation.

PPI and its respective logos are trademarks of Precision, Inc. in the US and other countries.

PPI 088-04

Copyright ©2021 Precision Pulley & Idler, all rights reserved.

06/21