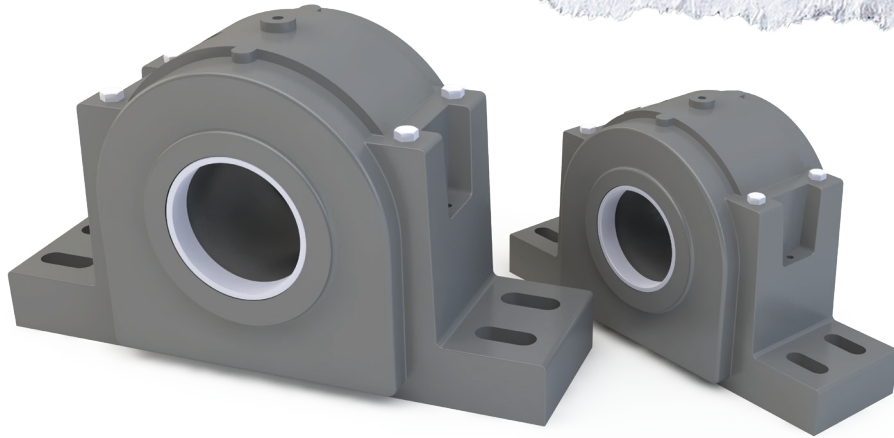


SAF PILLOW BLOCK BEARINGS



PPI's heavy duty SAF and SDAF bearings are ideally suited for heavy conveyor applications with large, double-row, spherical bearings, robust housing and optional taconite seals. PPI has an outstanding inventory of bearings from 1-15/16" to 12+" shaft sizes available for immediate shipping.

STANDARD



FEATURES AND BENEFITS

- Double row spherical self aligning bearing
- Two piece cast iron housing
- Standard triple labyrinth seals
- Drain plugs on both sides of housing for easier servicing
- Large open lubricant reservoir for better cooling and longer service life
- Held or free bearing
- Adapter mount

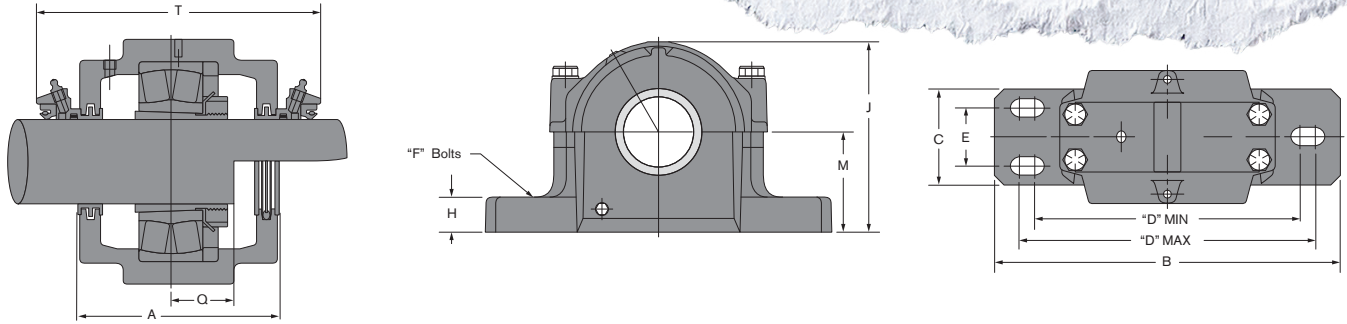
OPTIONAL



OPTIONAL EQUIPMENT

- Taconite seal for premium bearing protection
- Cast steel housing option for additional housing strength
- End covers available
- Temperature and combo temperature/vibration sensors available
- Sensors can be supplied with transmitters to create 4-20 mA output

SAF PILLOW BLOCK BEARINGS



PART NUMBER	HOUSING NUMBER	SHAFT DIAMETER	DIMENSIONS												WT. (LB)	DYNAMIC LOAD RATING (LB)
			A	B	C	D		E	F	H	J	M	Q	T		
605000C	SAF509	1 7/16	3 5/8	8 1/4	2 3/8	6 1/4	7	---	1/2	13/16	4 3/8	2 1/4	---	---	9	20,200
605001C	SAF511	1 15/16	4 1/2	9 5/8	2 3/4	7 3/8	7 7/8	---	5/8	15/16	5 1/4	2 3/4	11/16	7 3/8	11	27,000
605002C	SAF513	2 3/16	4 1/2	11	3 1/8	8 1/8	9 1/2	---	5/8	1	5 15/16	3	---	---	17	38,000
605004C	FSAF513	2 3/16	4 1/2	11	3 1/8	8 1/8	9 1/2	2	1/2	1	5 15/16	3	---	---	17	38,000
605005C	SAF515	2 7/16	4 3/4	11 1/4	3 1/8	8 5/8	9 5/8	---	5/8	1 1/8	6 3/8	3 1/4	15/16	7 11/16	19	41,500
605006C	FSAF515	2 7/16	4 3/4	11 1/4	3 1/8	8 5/8	9 5/8	1 7/8	1/2	1 1/8	6 3/8	3 1/4	15/16	7 11/16	19	41,500
605009C	SAF516	2 11/16	4 7/8	13	3 1/2	9 5/8	11	---	3/4	13 1/6	6 7/8	3 1/2	---	---	26	46,500
605010C	FSAF516	2 11/16	4 7/8	13	3 1/2	9 5/8	11	2 1/8	5/8	13 1/6	6 7/8	3 1/2	---	---	26	46,500
605011C	SAF517	2 15/16	5	13	3 1/2	9 7/8	11	---	3/4	11 1/4	7 5/16	3 3/4	19/16	7 13/16	27	55,100
605012C	FSAF517	2 15/16	5	13	3 1/2	9 7/8	11	2 1/8	5/8	11 1/4	7 5/16	3 3/4	19/16	7 13/16	27	55,100
605015C	SAF518	3 3/16	5 3/4	13 3/4	3 7/8	10 3/8	11 5/8	---	3/4	15/16	7 3/4	4	---	---	34	64,000
605016C	FSAF518	3 3/16	5 3/4	13 3/4	3 7/8	10 3/8	11 5/8	2 1/8	5/8	15/16	7 3/4	4	---	---	34	64,000
605017C	SAF520	3 7/16	6	15 1/4	4 3/8	11 5/8	13 1/8	---	7/8	13/4	8 3/4	4 1/2	17/8	8 1/2	60	80,000
605018C	FSAF520	3 7/16	6	15 1/4	4 3/8	11 5/8	13 1/8	2 3/8	3/4	13/4	8 3/4	4 1/2	17/8	8 1/2	60	80,000
605021C	SAF522	3 15/16	6 1/2	16 1/2	4 3/4	12 5/8	14 1/2	2 3/4	3/4	2	9 5/8	4 15/16	2 1/16	9 1/8	77	102,000
605023C	SAF524	4 3/16	7 3/8	16 1/2	4 3/4	13 1/4	14 1/2	2 3/4	3/4	2 1/8	10 1/4	5 1/4	---	---	95	120,000
605024C	SAF526	4 7/16	8	18 3/8	5 1/8	14 5/8	16	3 1/4	7/8	2 3/8	11 1/2	6	2 3/8	10 7/8	129	142,000
605026C	SAF528	4 15/16	7 5/8	20 1/8	5 7/8	16	17 1/8	3 3/8	1	2 3/8	11 3/4	6	2 1/2	10 1/4	137	160,000
605028C	SAF530	5 3/16	8 3/8	21 1/4	6 1/4	17	18 1/4	3 3/4	1	2 1/2	12 1/2	6 5/16	---	---	169	190,000
605029C	SAF532	5 7/16	8 3/4	22	6 1/4	17 3/8	19 1/4	3 3/4	1	2 5/8	13 5/16	6 11/16	2 7/8	11 3/8	179	216,000
605031C	SAF534	5 15/16	9 5/8	24 3/4	6 3/4	19 3/8	21 5/8	4 1/4	1	2 3/4	14 3/16	7 1/16	3 1/16	12 1/8	230	250,000
605033C	SAF536	6 7/16	10	26 3/4	7 1/8	20 7/8	23 5/8	4 5/8	1	3	14 7/8	7 1/2	3 1/8	12 1/2	259	255,000
605035C	SAF538	6 15/16	10 3/4	28	7 1/2	21 5/8	24 3/8	4 1/2	1 1/4	3 1/8	15 11/16	7 7/8	3 1/4	15 1/4	397	270,000
605038C	SAF544	7 15/16	12	32 3/4	8 3/4	24 3/4	27 7/8	5 1/4	1 1/2	3 3/4	18 5/8	9 1/2	3 3/4	14 1/2	507	365,000
605665C	SAF048	8 7/16	11 1/8	29 1/2	8	22 1/2	25	5	1 1/4	3 3/8	16 11/16	8 1/4	3 9/16	15 1/4	337	260,000
605040C	SAF048	8 15/16	11 1/8	29 1/2	8	22 1/2	25	5	1 1/4	3 3/8	16 11/16	8 1/4	3 9/16	15 1/4	337	260,000
605042C	SAF052	9 7/16	11 7/8	32 3/4	8 3/4	24 3/4	27 7/8	5 1/4	1 1/2	3 3/4	18 13/16	9 1/2	4	16	445	310,000
605197C	SAF056	9 15/16	12 1/16	34 1/4	9	26 1/4	29 1/2	5 1/2	1 1/2	4	20 3/16	9 7/8	4	16 1/4	588	345,000
605198C	SAF056	10 7/16	12 1/16	34 1/4	9	26 1/4	29 1/2	5 1/2	1 1/2	4	20 3/16	9 7/8	4	16 1/4	588	345,000

WWW.PPI-GLOBAL.COM | SALES@PPI-GLOBAL.COM

Product shown are for illustrative purposes only and may display optional accessories or components. Please contact your sales representative for more information on product specifications. PPI respectively reserves the right to make changes in engineering, design and specifications; add improvements; or discontinue manufacturing at any time without notice obligation.

PPI and its respective logos are trademarks of Precision, Inc. in the US and other countries.

PPI 068-05

Copyright ©2021 Precision Pulley & Idler, all rights reserved.

06/21