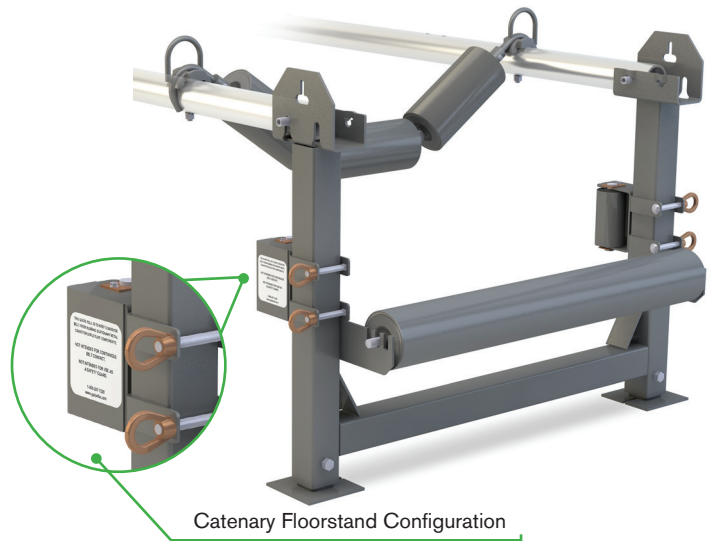


Rigid Rail Configuration

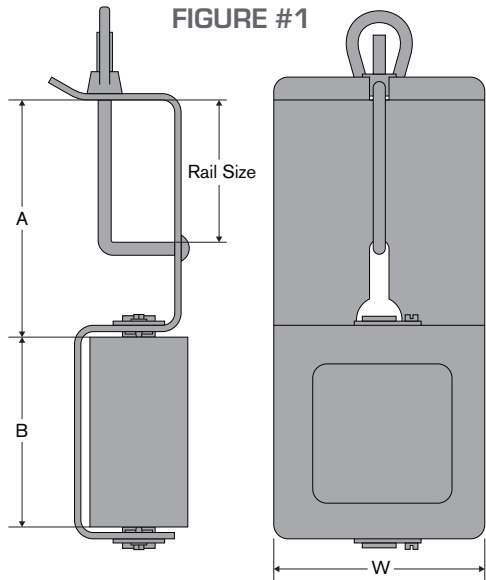


Catenary Floorstand Configuration

PPI Structure Guards help protect your belt and structure by keeping the belt from making contact with the structure. They use PPI proven idlers and come in a variety of sizes to fit your application.

FEATURES AND BENEFITS

- Prevents belt contact with stationary conveyor structure
- Guide roll utilizes PPI's proven idler roll design
- Factory sealed roll promotes long roll life
- Variety of sizes to fit many c-channel and drop height configurations
- Guards also available for catenary floor stand applications



Rigid Rail Structure Guard - See Figure #1

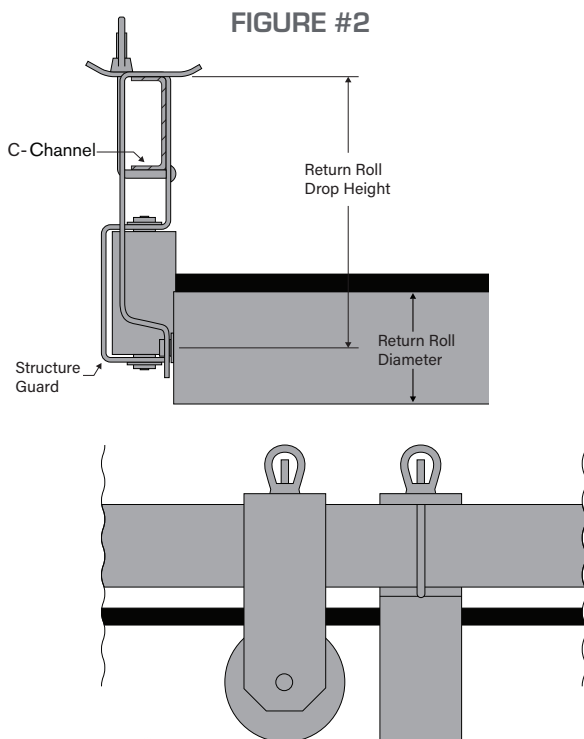
PART #	A	B	W	WT	CHANNEL SIZE	DROP HEIGHT
34477A-10	4.84	5.44	6	13.0	3	10
34405A-12	6.84	5.44	6	14.0	3 & 4	12
34478A-04	9.22	5.44	6	14.7	8	12
34479A-04	11.22	5.44	6	15.5	10	14

34478A-04 & 34479A-04 are made for standard 4 1/2" drop brackets

Info needed for Rigid Rail Structure Guard:
See Figure #1 and #2

1. C-Channel Size
2. Return roll drop height
3. Return roll diameter

Contact PPI for your unique applications



Catenary Floor Stand Structure Guard - See Figure #3

PART #	Square Tube	A	D	O.A.H.	O.A.L.
34355A-250	2.50"	5.38	1.08	8.36	6.32
34355A-300	3.00"	5.38	0.83	8.86	6.56
34355A-350	3.50"	4.38	0.58	9.36	6.81

Info needed for Catenary Floor Stand Structure Guard:
See Figure #3

1. Square tube size

Contact PPI for your unique applications

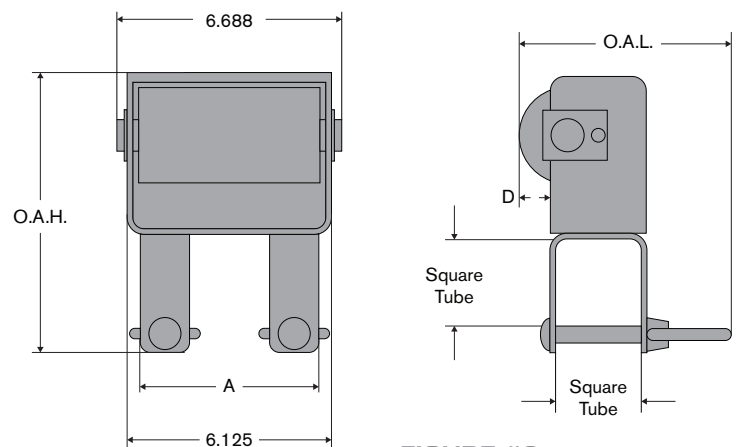


FIGURE #3