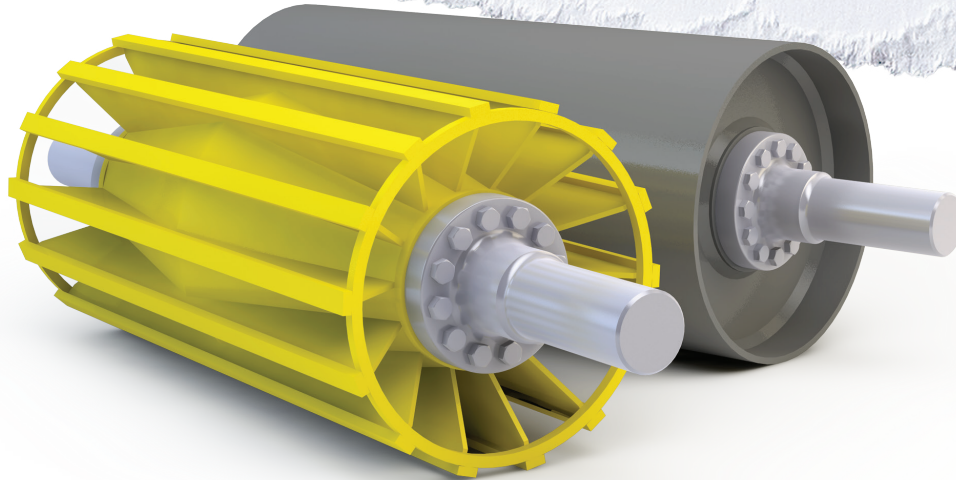


EZ MOUNT PULLEY AND SHAFT SYSTEM

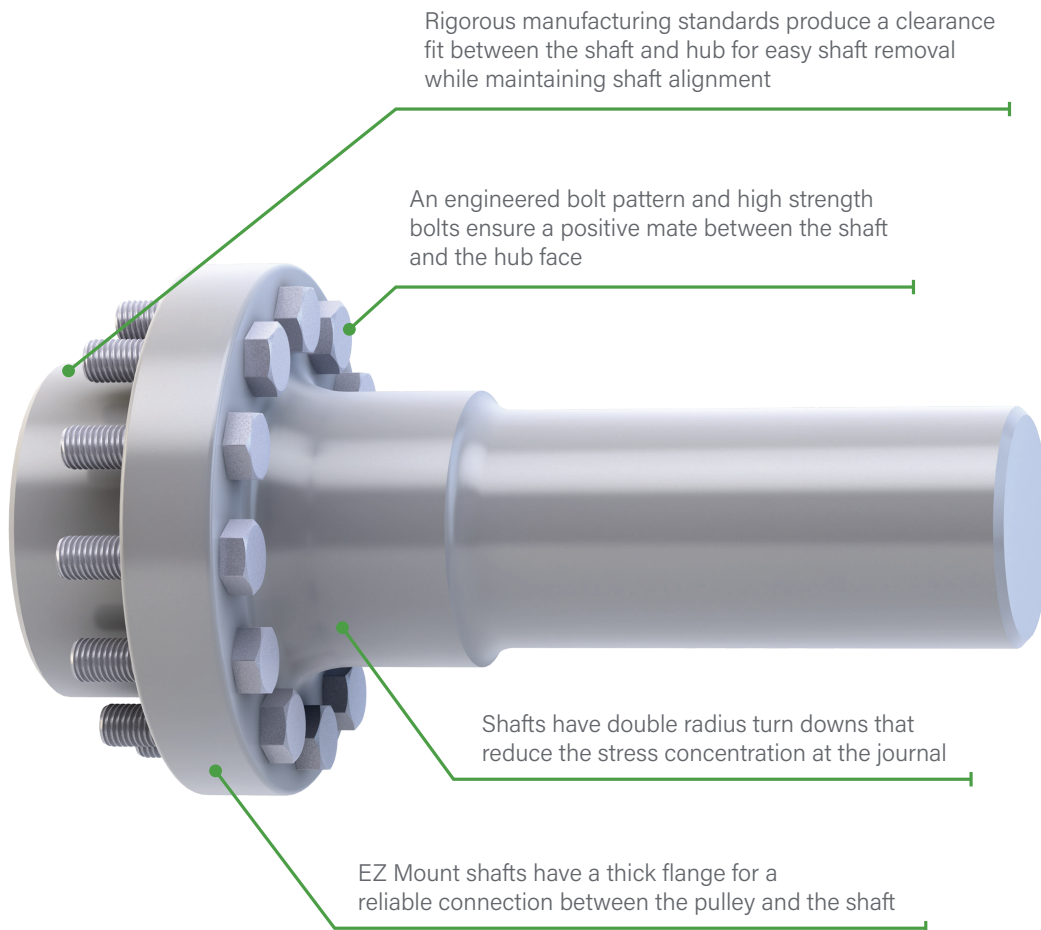


EZ mount is a unique pulley and shaft system that allows for fast and economical bearing and shaft replacement without removing the pulley from the conveyor. It reduces maintenance and replacement time by using rugged engineered stub shafts. The exclusive PPI EZ Mount pulley and shaft system are manufactured to CEMA standards and mine duty specifications.

FEATURES AND BENEFITS

- Reduces down time by eliminating the need to remove an entire shaft
- Allows easy bearing change in a controlled environment minimizing the chances for bearing contamination
- Reduces inventory cost with standard components for multiple locations
- Enable pulley installation in locations with tight space constraints
- Can be used in all conveyor pulley positions including drive pulleys
- EZ Mount hubs are lined bored to ensure shaft alignment for consistent pulley rotation
- Manufactured to CEMA standards and available in mine duty and engineered class
- Can be designed with dual drum to add strength and rigidity to the end discs
- Designed with strict life safety factors and rigid end discs to promote long life

EZ MOUNT PULLEY AND SHAFT SYSTEM



Rigorous manufacturing standards produce a clearance fit between the shaft and hub for easy shaft removal while maintaining shaft alignment

An engineered bolt pattern and high strength bolts ensure a positive mate between the shaft and the hub face

Shafts have double radius turn downs that reduce the stress concentration at the journal

EZ Mount shafts have a thick flange for a reliable connection between the pulley and the shaft

WWW.PPI-GLOBAL.COM | SALES@PPI-GLOBAL.COM

Product shown are for illustrative purposes only and may display optional accessories or components. Please contact your sales representative for more information on product specifications. PPI respectively reserves the right to make changes in engineering, design and specifications; add improvements; or discontinue manufacturing at any time without notice obligation. PPI and its respective logos are trademarks of Precision, Inc. in the US and or other countries. Copyright ©2021 Precision Pulley & Idler, all rights reserved.