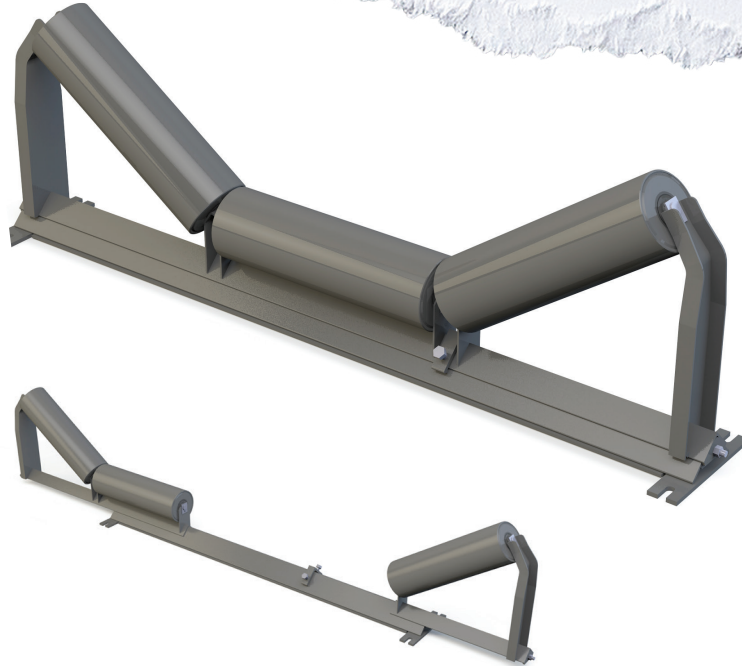


# RETRACTABLE FRAME IDLER



PPI's Retractable Frame Idlers are an excellent choice for impact zones where frequent roll change-out is required. The retractable frame design allows for easy roll change in all roll positions, minimizing downtime. Retractable frame idlers are available in CEMA C, D, and E with steel or impact rolls.

## FEATURES AND BENEFITS

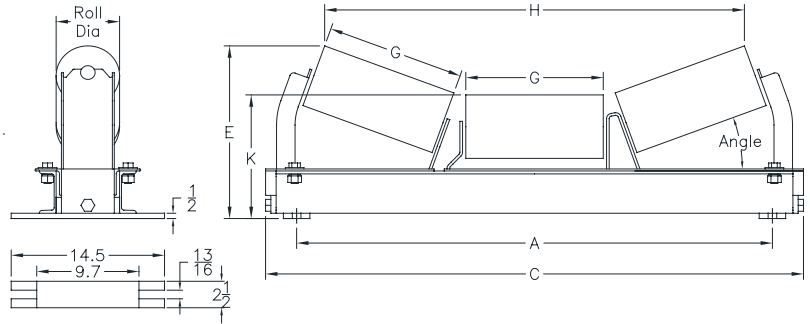
- Minimizes distance the belt must be lifted off the rolls for roll change-out
- Uses PPI's proven seal design with our rugged idler rolls
- Can be used in areas with tight space constraints
- Available with impact rolls or steel rolls
- Available in 20° 35° and 45° trough angles
- Available in CEMA C, D and E



# RETRACTABLE FRAME IDLER



Belt Width	Standard Dimensions			Wide Base	
	A	C	G	A	C
36	45	50 7/8	13	51	53 1/2
42	51	56 5/8	15	57	59 1/2
48	57	64 5/8	17 3/4	63	65 1/2
54	63	70 3/8	19 3/4	69	71 1/2
60	69	76 1/8	21 3/4	75	77 1/2
66	75	81 7/8	23 3/4	81	83 1/2
72	81	87 5/8	25 3/4	87	89 1/2
78	87	93 3/8	27 3/4	93	95 1/2
84	93	99 1/8	29 3/4	99	101 1/2
90	99	104 7/8	31 3/4	105	107 1/2
96	105	110 5/8	33 3/4	111	113 1/2



C dimension is actually different for 20°, 35° and 45°

## 20° RETRACTABLE EQUAL TROUGHING IDLER

Belt Width	6" Roll Dia					7" Roll Dia				
	Part Number	E	H	K	WT	Part Number	E	H	K	WT
36	E6-20RET-36	16 5/16	39 3/4	11 11/16	184	E7-20RET-36	16 13/16	39 3/8	12 3/16	194
42	E6-20RET-42	17	45 1/2	11 11/16	201	E7-20RET-42	17 1/2	45 1/8	12 3/16	212
48	E6-20RET-48	17 15/16	53 7/16	11 11/16	224	E7-20RET-48	18 7/16	53 1/16	12 3/16	237
54	E6-20RET-54	18 5/8	59 3/16	11 11/16	240	E7-20RET-54	19 1/8	58 7/8	12 3/16	254
60	E6-20RET-60	19 5/16	64 15/16	11 11/16	257	E7-20RET-60	19 13/16	64 9/16	12 3/16	272
66	E6-20RET-66	20	70 11/16	11 11/16	273	E7-20RET-66	20 7/16	70 5/16	12 3/16	289
72	E6-20RET-72	20 11/16	76 7/16	11 11/16	289	E7-20RET-72	21 1/8	76 1/8	12 3/16	306
78	E6-20RET-78	21 7/16	82 3/16	11 11/16	306	E7-20RET-78	21 7/8	81 15/16	12 3/16	324
84	E6-20RET-84	22	87 15/16	11 11/16	322	E7-20RET-84	22 1/2	87 9/16	12 3/16	342
90	E6-20RET-90	22 11/16	93 3/4	11 11/16	339	E7-20RET-90	23 3/16	93 3/8	12 3/16	359
96	E6-20RET-96	23 3/8	99 1/2	11 11/16	355	E7-20RET-96	23 7/8	99 1/8	12 3/16	376

## 35° RETRACTABLE EQUAL TROUGHING IDLER

Belt Width	6" Roll Dia					7" Roll Dia				
	Part Number	E	H	K	WT	Part Number	E	H	K	WT
36	E6-35RET-36	19 1/4	35 3/8	11 11/16	187	E7-35RET-36	19 11/16	34 3/4	12 3/16	197
42	E6-35RET-42	20 7/16	40 5/8	11 11/16	204	E7-35RET-42	20 13/16	40 1/16	12 3/16	215
48	E6-35RET-48	22	47 7/8	11 11/16	226	E7-35RET-48	22 7/16	47 5/16	12 3/16	238
54	E6-35RET-54	23 3/16	53 3/16	11 11/16	242	E7-35RET-54	23 9/16	52 5/8	12 3/16	256
60	E6-35RET-60	24 5/16	58 7/16	11 11/16	258	E7-35RET-60	24 11/16	57 7/8	12 3/16	273
66	E6-35RET-66	25 7/16	63 3/4	11 11/16	276	E7-35RET-66	25 7/8	63 1/8	12 3/16	292
72	E6-35RET-72	26 5/8	69	11 11/16	293	E7-35RET-72	27	68 7/16	12 3/16	310
78	E6-35RET-78	27 15/16	74 1/4	11 11/16	310	E7-35RET-78	28.1875	73 11/16	12 3/16	328
84	E6-35RET-84	28 7/8	79 9/16	11 11/16	327	E7-35RET-84	29 1/4	78 15/16	12 3/16	346
90	E6-35RET-90	30 1/16	84 7/8	11 11/16	344	E7-35RET-90	30 7/16	84 1/4	12 3/16	364
96	E6-35RET-96	31 3/16	90 1/8	11 11/16	361	E7-35RET-96	31 9/16	89 1/2	12 3/16	383

## 45° RETRACTABLE EQUAL TROUGHING IDLER

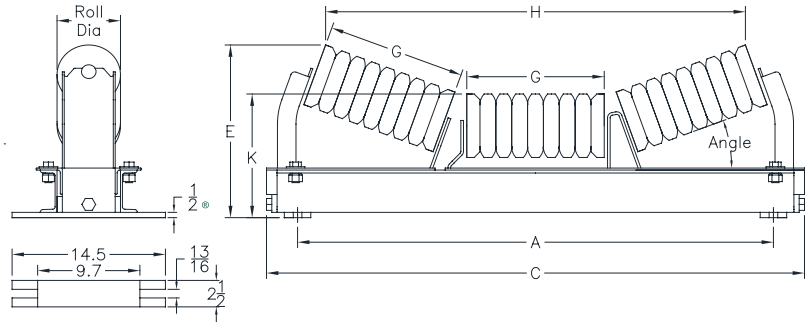
Belt Width	6" Roll Dia					7" Roll Dia				
	Part Number	E	H	K	WT	Part Number	E	H	K	WT
36	E6-45RET-36	21 1/16	32 9/16	11 11/16	190	E7-45RET-36	21 7/16	31 7/8	12 3/16	200
42	E6-45RET-42	22 1/2	37 3/8	11 11/16	207	E7-45RET-42	22 13/16	36 11/16	12 3/16	218
48	E6-45RET-48	24 7/16	44 1/16	11 11/16	228	E7-45RET-48	24 13/16	43 5/16	12 3/16	240
54	E6-45RET-54	25 7/8	48 7/8	11 11/16	245	E7-45RET-54	26 3/16	48 1/8	12 3/16	259
60	E6-45RET-60	27 1/4	53 11/16	11 11/16	262	E7-45RET-60	27 5/8	52 15/16	12 3/16	277
66	E6-45RET-66	28 11/16	58 9/16	11 11/16	280	E7-45RET-66	29	57 13/16	12 3/16	296
72	E6-45RET-72	30 1/16	63 3/8	11 11/16	297	E7-45RET-72	30 7/16	62 5/8	12 3/16	314
78	E6-45RET-78	31 9/16	68 3/16	11 11/16	314	E7-45RET-78	31 15/16	67 1/2	12 3/16	332
84	E6-45RET-84	32 7/8	73	11 11/16	331	E7-45RET-84	33 1/4	72 5/16	12 3/16	351
90	E6-45RET-90	34 5/16	77 13/16	11 11/16	349	E7-45RET-90	34 11/16	77 1/8	12 3/16	369
96	E6-45RET-96	35 3/4	82 5/8	11 11/16	366	E7-45RET-96	36.0625	81 15/16	12 3/16	387

# RETRACTABLE FRAME IDLER



Belt Width	Standard Dimensions			Wide Base	
	A	C	G	A	C
36	45	50 7/8	13	51	53 1/2
42	51	56 5/8	15	57	59 1/2
48	57	64 5/8	17 3/4	63	65 1/2
54	63	70 3/8	19 3/4	69	71 1/2
60	69	76 1/8	21 3/4	75	77 1/2
66	75	81 7/8	23 3/4	81	83 1/2
72	81	87 5/8	25 3/4	87	89 1/2
78	87	93 3/8	27 3/4	93	95 1/2
84	93	99 1/8	29 3/4	99	101 1/2
90	99	104 7/8	31 3/4	105	107 1/2
96	105	110 5/8	33 3/4	111	113 1/2

C dimension is actually different for 20°, 35° and 45°



## 20° RETRACTABLE EQUAL TROUGHING IMPACT

Belt Width	6" Roll Dia					7" Roll Dia				
	Part Number	E	H	K	WT	Part Number	E	H	K	WT
36	E6P-20RETI-36	16 5/16	39 3/4	11 11/16	222	E7P-20RETI-36	16 13/16	39 3/8	12 3/16	225
42	E6P-20RETI-42	17	45 1/2	11 11/16	245	E7P-20RETI-42	17 1/2	45 1/8	12 3/16	248
48	E6P-20RETI-48	17 15/16	53 7/16	11 11/16	278	E7P-20RETI-48	18 7/16	53 1/16	12 3/16	282
54	E6P-20RETI-54	18 5/8	59 3/16	11 11/16	301	E7P-20RETI-54	19 1/8	58 7/8	12 3/16	305
60	E6P-20RETI-60	19 5/16	64 15/16	11 11/16	323	E7P-20RETI-60	19 13/16	64 9/16	12 3/16	328
66	E6P-20RETI-66	20	70 11/16	11 11/16	349	E7P-20RETI-66	20 7/16	70 5/16	12 3/16	355
72	E6P-20RETI-72	20 11/16	76 7/16	11 11/16	372	E7P-20RETI-72	21 1/8	76 1/8	12 3/16	377
78	E6P-20RETI-78	21 7/16	82 3/16	11 11/16	398	E7P-20RETI-78	21 7/8	81 15/16	12 3/16	404
84	E6P-20RETI-84	22	87 15/16	11 11/16	420	E7P-20RETI-84	22 1/2	87 9/16	12 3/16	427
90	E6P-20RETI-90	22 11/16	93 3/4	11 11/16	445	E7P-20RETI-90	23 3/16	93 3/8	12 3/16	452
96	E6P-20RETI-96	23 3/8	99 1/2	11 11/16	469	E7P-20RETI-96	23 7/8	99 1/8	12 3/16	476

## 35° RETRACTABLE EQUAL TROUGHING IMPACT

Belt Width	6" Roll Dia					7" Roll Dia				
	Part Number	E	H	K	WT	Part Number	E	H	K	WT
36	E6P-35RETI-36	19 1/4	35 3/8	11 11/16	225	E7P-35RETI-36	19 11/16	34 3/4	12 3/16	228
42	E6P-35RETI-42	20 7/16	40 5/8	11 11/16	248	E7P-35RETI-42	20 13/16	40 1/16	12 3/16	251
48	E6P-35RETI-48	22	47 7/8	11 11/16	280	E7P-35RETI-48	22 7/16	47 5/16	12 3/16	284
54	E6P-35RETI-54	23 3/16	53 3/16	11 11/16	302	E7P-35RETI-54	23 9/16	52 5/8	12 3/16	307
60	E6P-35RETI-60	24 5/16	58 7/16	11 11/16	325	E7P-35RETI-60	24 11/16	57 7/8	12 3/16	330
66	E6P-35RETI-66	25 7/16	63 3/4	11 11/16	352	E7P-35RETI-66	25 7/8	63 1/8	12 3/16	357
72	E6P-35RETI-72	26 5/8	69	11 11/16	375	E7P-35RETI-72	27	68 7/16	12 3/16	381
78	E6P-35RETI-78	27 15/16	74 1/4	11 11/16	402	E7P-35RETI-78	28.1875	73 11/16	12 3/16	408
84	E6P-35RETI-84	28 7/8	79 9/16	11 11/16	425	E7P-35RETI-84	29 1/4	78 15/16	12 3/16	431
90	E6P-35RETI-90	30 1/16	84 7/8	11 11/16	450	E7P-35RETI-90	30 7/16	84 1/4	12 3/16	457
96	E6P-35RETI-96	31 3/16	90 1/8	11 11/16	475	E7P-35RETI-96	31 9/16	89 1/2	12 3/16	482

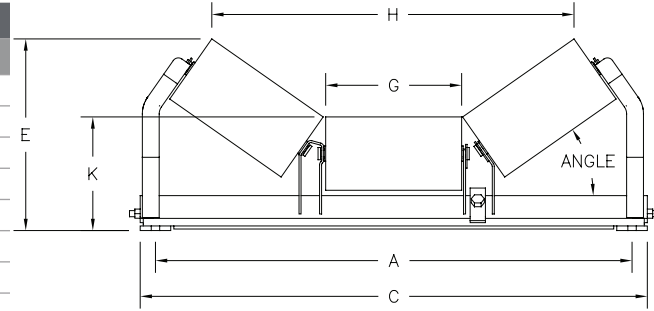
## 45° RETRACTABLE EQUAL TROUGHING IMPACT

Belt Width	6" Roll Dia					7" Roll Dia				
	Part Number	E	H	K	WT	Part Number	E	H	K	WT
36	E6P-45RETI-36	21 1/16	32 9/16	11 11/16	227	E7P-45RETI-36	21 7/16	31 7/8	12 3/16	230
42	E6P-45RETI-42	22 1/2	37 3/8	11 11/16	251	E7P-45RETI-42	22 13/16	36 11/16	12 3/16	254
48	E6P-45RETI-48	24 7/16	44 1/16	11 11/16	282	E7P-45RETI-48	24 13/16	43 5/16	12 3/16	286
54	E6P-45RETI-54	25 7/8	48 7/8	11 11/16	305	E7P-45RETI-54	26 3/16	48 1/8	12 3/16	310
60	E6P-45RETI-60	27 1/4	53 11/16	11 11/16	329	E7P-45RETI-60	27 5/8	52 15/16	12 3/16	333
66	E6P-45RETI-66	28 11/16	58 9/16	11 11/16	356	E7P-45RETI-66	29	57 13/16	12 3/16	361
72	E6P-45RETI-72	30 1/16	63 3/8	11 11/16	379	E7P-45RETI-72	30 7/16	62 5/8	12 3/16	385
78	E6P-45RETI-78	31 9/16	68 3/16	11 11/16	406	E7P-45RETI-78	31 15/16	67 1/2	12 3/16	412
84	E6P-45RETI-84	32 7/8	73	11 11/16	429	E7P-45RETI-84	33 1/4	72 5/16	12 3/16	436
90	E6P-45RETI-90	34 5/16	77 13/16	11 11/16	455	E7P-45RETI-90	34 11/16	77 1/8	12 3/16	462
96	E6P-45RETI-96	35 3/4	82 5/8	11 11/16	480	E7P-45RETI-96	36.0625	81 15/16	12 3/16	487

# RETRACTABLE FRAME IDLER

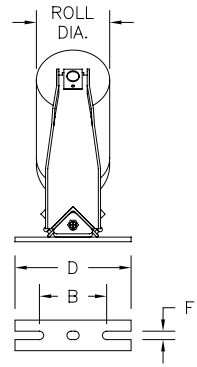


BELT WIDTH	STANDARD DIMENSIONS						WIDE BASE	
	A	B	C	D	F	G	A	C
24	33	5 9/16	35	8	9/16	8 15/16	39	41
30	39	5 1/2	41 1/2	9 1/2	11/16	11 1/8	45	47 1/2
36	45	5 1/2	47 1/2	9 1/2	11/16	13 1/4	51	53 1/2
42	51	5 1/2	53 1/2	9 1/2	11/16	15 7/16	57	59 1/2
48	57	5 1/2	59 1/2	9 1/2	11/16	17 5/8	63	65 1/2
54	63	7	65 1/2	11	11/16	19 3/4	69	71 1/2
60	69	7	71 1/2	11	11/16	21 3/4	75	77 1/2
72	81	7	83 1/2	11	11/16	26	87	89 1/2



## 20° RETRACTABLE EQUAL TROUGHING IDLER

BELT WIDTH	5" ROLL DIAMETER					6" ROLL DIAMETER				
	PART NUMBER	E	H	K	WT	PART NUMBER	E	H	K	WT
24	D5-20RET-24	11 13/16	27 1/16	8 5/8	74	D6-20RET-24	12 1/4	26 11/16	9 1/8	82
30	D5-20RET-30	12 11/16	33 3/8	8 3/4	87	D6-20RET-30	13 3/16	32 15/16	9 1/4	97
36	D5-20RET-36	13 7/16	39 7/16	8 3/4	99	D6-20RET-36	13 7/8	39 1/8	9 1/4	110
42	D5-20RET-42	14 9/16	45 3/4	9 1/8	123	D6-20RET-42	15	45 7/16	9 5/8	135
48	D5-20RET-48	15 5/16	52 1/16	9 1/8	136	D6-20RET-48	15 3/4	51 3/4	9 5/8	150
54	D5-20RET-54	16 3/8	58 3/16	9 5/8	156	D6-20RET-54	16 7/8	57 13/16	10 1/8	171
60	D5-20RET-60	17	63 7/8	9 5/8	169	D6-20RET-60	17 1/2	63 9/16	10 1/8	185
72	D5-20RET-72	18 1/2	76 3/16	9 5/8	196	D6-20RET-72	19	75 13/16	10 1/8	215



## 35° RETRACTABLE EQUAL TROUGHING IDLER

BELT WIDTH	5" ROLL DIAMETER					6" ROLL DIAMETER				
	PART NUMBER	E	H	K	WT	PART NUMBER	E	H	K	WT
24	D5-35RET-24	13 15/16	24 9/16	8 5/8	76	D6-35RET-24	14 3/8	24 1/16	9 1/8	84
30	D5-35RET-30	15 5/16	30 3/8	8 3/4	90	D6-35RET-30	15 13/16	29 13/16	9 1/4	99
36	D5-35RET-36	16 1/2	35 15/16	8 3/4	101	D6-35RET-36	16 15/16	35 7/16	9 1/4	112
42	D5-35RET-42	18 3/16	41 3/4	9 1/8	126	D6-35RET-42	18 9/16	41 3/16	9 5/8	138
48	D5-35RET-48	19 7/16	47 1/2	9 1/8	139	D6-35RET-48	19 13/16	46 15/16	9 5/8	153
54	D5-35RET-54	21	53 1/8	9 5/8	159	D6-35RET-54	21 7/16	52 9/16	10 1/8	175
60	D5-35RET-60	22 3/16	58 3/8	9 5/8	173	D6-35RET-60	22 9/16	57 7/8	10 1/8	189
72	D5-35RET-72	24 9/16	69 9/16	9 5/8	200	D6-35RET-72	25	69 1/16	10 1/8	219

## 45° RETRACTABLE EQUAL TROUGHING

BELT WIDTH	5" ROLL DIAMETER					6" ROLL DIAMETER				
	PART NUMBER	E	H	K	WT	PART NUMBER	E	H	K	WT
24	D5-45RET-24	15 3/16	22 3/4	8 5/8	78	D6-45RET-24	15 1/2	22 1/8	9 1/8	86
30	D5-45RET-30	16 7/8	28 1/16	8 3/4	92	D6-45RET-30	17 1/4	27 3/8	9 1/4	101
36	D5-45RET-36	18 5/16	33 1/8	8 3/4	104	D6-45RET-36	18 11/16	32 5/16	9 1/4	115
42	D5-45RET-42	20 5/16	38 7/16	9 1/8	128	D6-45RET-42	20 5/8	37 11/16	9 5/8	140
48	D5-45RET-48	21 13/16	43 11/16	9 1/8	141	D6-45RET-48	22 3/16	43 1/16	9 5/8	155
54	D5-45RET-54	23 11/16	48 13/16	9 5/8	162	D6-45RET-54	24 1/16	48 1/16	10 1/8	177
60	D5-45RET-60	25 1/8	53 11/16	9 5/8	175	D6-45RET-60	25 7/16	53	10 1/8	192
72	D5-45RET-72	28 1/8	63 15/16	9 5/8	203	D6-45RET-72	28 7/16	63 1/4	10 1/8	222

[WWW.PPI-GLOBAL.COM](http://WWW.PPI-GLOBAL.COM) | [SALES@PPI-GLOBAL.COM](mailto:SALES@PPI-GLOBAL.COM)

Product shown are for illustrative purposes only and may display optional accessories or components. Please contact your sales representative for more information on product specifications. PPI respectively reserves the right to make changes in engineering, design and specifications; add improvements; or discontinue manufacturing at any time without notice obligation.

PPI and its respective logos are trademarks of Precision, Inc. in the US and or other countries.

PPI 006-05

Copyright ©2021 Precision Pulley & Idler, all rights reserved.

05/21