



# MEDIUM DUTY SLIDER BED

## IMPORTANT - SAFETY INSTRUCTIONS

Compliance with safety standards, including OSHA and other Federal, State, and local codes or regulations is the responsibility of the user of the conveyor installation. Placement of guards and other safety equipment in accordance with safety standards is dependent upon the area and use of the system. A safety study should be made of the conveyor application and guards should be installed wherever appropriate. *Safety Standards of Conveyors and related Equipment ANSI B20.1* is a guide for safe construction, installation, operation and maintenance of conveyors and related equipment.

### C & D Medium Duty Slider Bed:



## TABLE OF CONTENTS

SECTION	PAGE NUMBER
C & D Medium Duty Slider Bed.....	3
Features & Benefits .....	3
Storage & Preparation .....	3
Part Number Guide .....	3
Installation Checklist .....	4
Installation Instructions.....	4
Installation Methods .....	5
Slider Bed Installation .....	5
Option 1: Install fully assembled Slider Bed.....	5
Option 2: Install partially assembled Slider Bed.....	7
Option 3: Install unassembled Slider Bed.....	9
Slider Bed Maintenance .....	12
Slider Bed Inspection.....	12
Slider Rails Removal .....	12
Slider Rails Installation .....	13
Wing Support & Wing Assembly Removal .....	14
Wing Support & Wing Assembly Installation .....	15
Replacement Parts List.....	16
Footpad Detail .....	17
Part Number List.....	18
Frame for C & D Medium Duty Slider Bed.....	18
2 foot Unassembled C & D Medium Duty Slider Bed .....	21
4 foot Unassembled C & D Medium Duty Slider Bed .....	24
5 foot Unassembled C & D Medium Duty Slider Bed .....	27
2 foot Assembled C & D Medium Duty Slider Bed .....	30
4 foot Assembled C & D Medium Duty Slider Bed .....	33
5 foot Assembled C & D Medium Duty Slider Bed .....	36

## C & D MEDIUM DUTY SLIDER BED

PPI's Medium Duty Slider Bed is designed to handle impacts, help with skirt board sealing in the loading zone, and to provide ease of maintenance. Slider Beds are placed under the belt at loading points to withstand impact forces from the transfer of lumps of material onto the conveyor. PPI Medium Duty Slider Beds eliminate roller and bearing damage associated with the use of impact rollers at the loading points where large, jagged, or slab rock fall onto the belt, often resulting in roller damage or bent frames.

PPI Medium Duty Slider Beds incorporate robust steel construction, detachable wings with Slider Rails, linked together to form a complete belt support system in the loading area.

Medium Duty Slider Beds are available in 2 foot, 4 foot, and 5 foot long sections. Figure 1 shows a 2 foot section of PPI's Medium Duty Slider Bed.

### FEATURES & BENEFITS

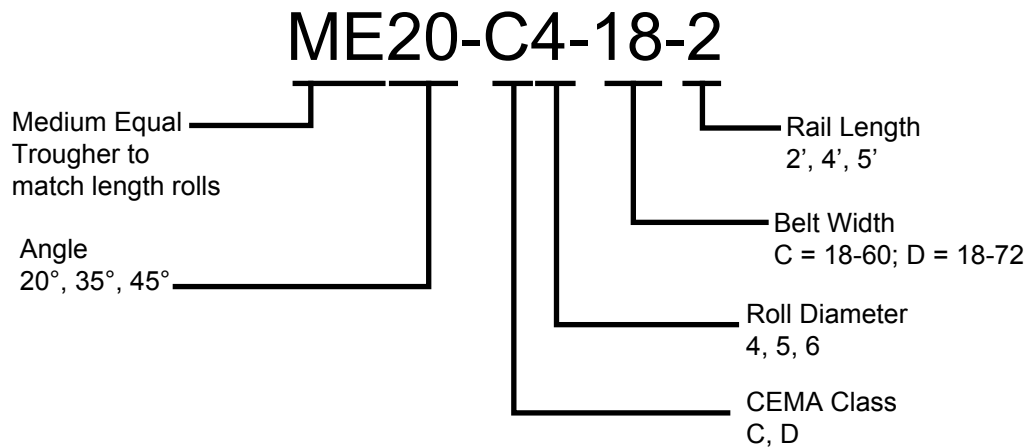
1. No moving parts, supports conveyor belt in loading zone.
2. Manufactured using heavy structural steel.
3. Fold Down Wings for ease of maintenance.
4. Available in 2 foot, 4 foot, & 5 foot lengths.
5. UHMW Slider Rail surface has outstanding wear and sliding properties.
6. Elastic rubber under UHMW to absorb impacts.

### STORAGE & PREPARATION

Medium Duty Slider Beds are shipped with the frames, Slider Rails and Hardware. Hardware is packed in a box, as loose parts to attach the Slider rails to the frames. They should be stored under cover to protect them from exposure to the weather and other adverse conditions.

Prior to installation, check all components, Slider Rails, and frames for evidence of damage due to mishandling. They should be cleared of any foreign matter that may have accumulated during storage or transit. Foreign matter on Slider Rails can cause damage to the belt.

### Part Number Guide:

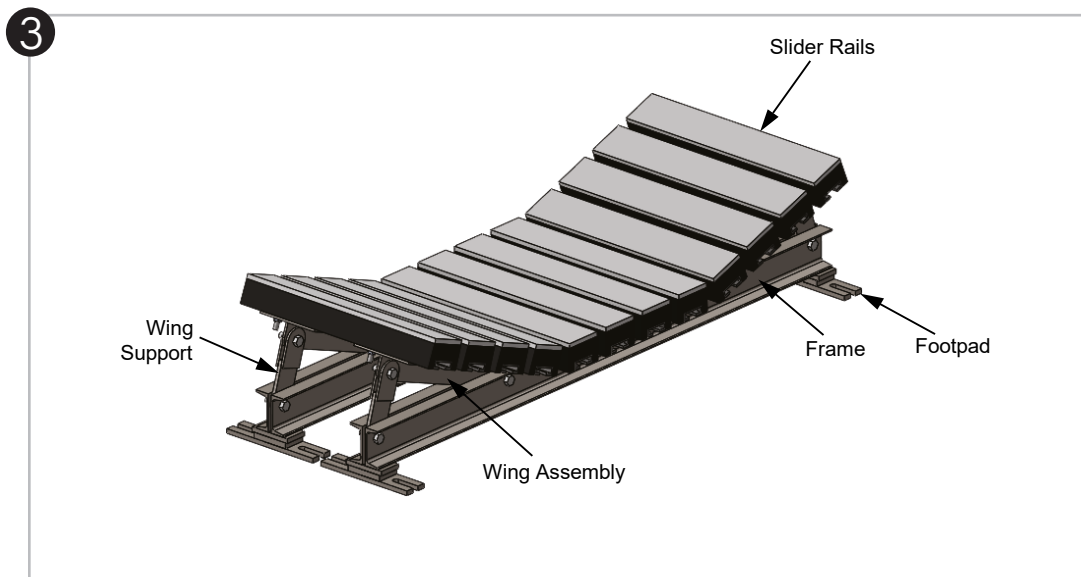
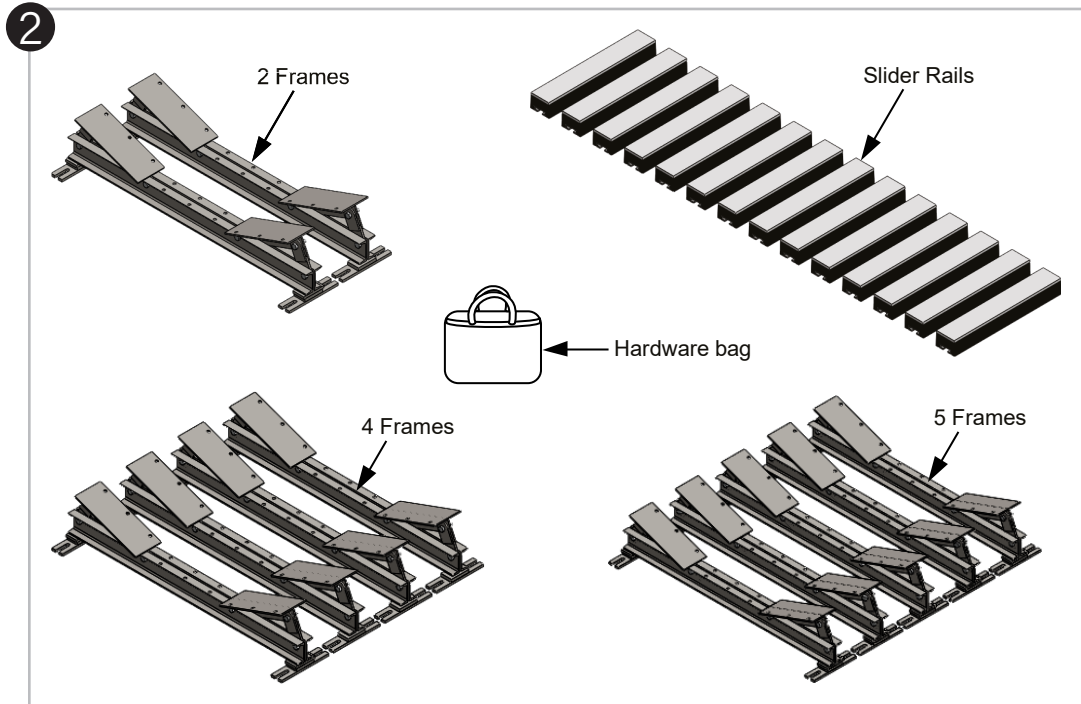


## INSTALLATION CHECKLIST

1. Make sure you have all the materials and components needed to assemble the Medium Duty Slider Bed. See parts list later in this Operation and Maintenance Manual.
2. Ensure you have necessary hardware to attach the Medium Duty Slider Bed to the conveyor structure. This is not included with the Medium Duty Slider Bed.
3. Ensure that the necessary tools are available.
4. Check to see if the existing conveyor structure at the installation site is level and even.

## INSTALLATION INSTRUCTIONS

The Medium Duty Slider Bed can be purchased as a unit unassembled as shown in Figure 2 or as a unit that is fully assembled as shown in Figure 3. The unassembled Slider Bed is shipped with the frame as shown in Figure 2, the Slider Rails, and hardware to attach the Slider Rails to the frames.



## INSTALLATION METHODS

Depending on the amount of room that is available on the conveyor structure and surrounding equipment there are different installation instructions available.

Option 1: Install fully assembled Slider Bed. This method can typically be used on new conveyor construction when all the equipment may not yet be installed. This method requires the maximum amount of open room to maneuver a fully assembled slider bed.

Option 2: Install partially assembled Slider Bed. This method could be used when there is not enough room available to maneuver a fully assembled Slider Bed. It still requires a fair amount of room as the frame and wings will be assembled.

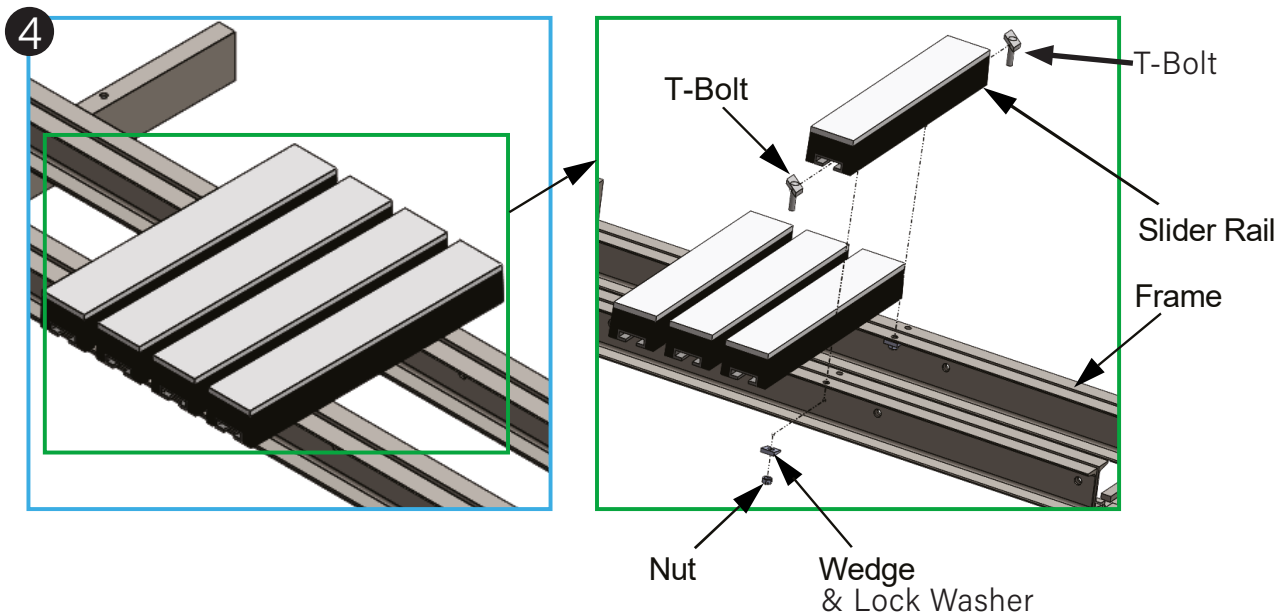
Option 3: Install unassembled Slider Bed. This method requires the least amount of room to maneuver frames and Slider Rails into place. This requires the Wing Support be removed and the Wing Assembly will be folded down or removed.

## SLIDER BED INSTALLATION

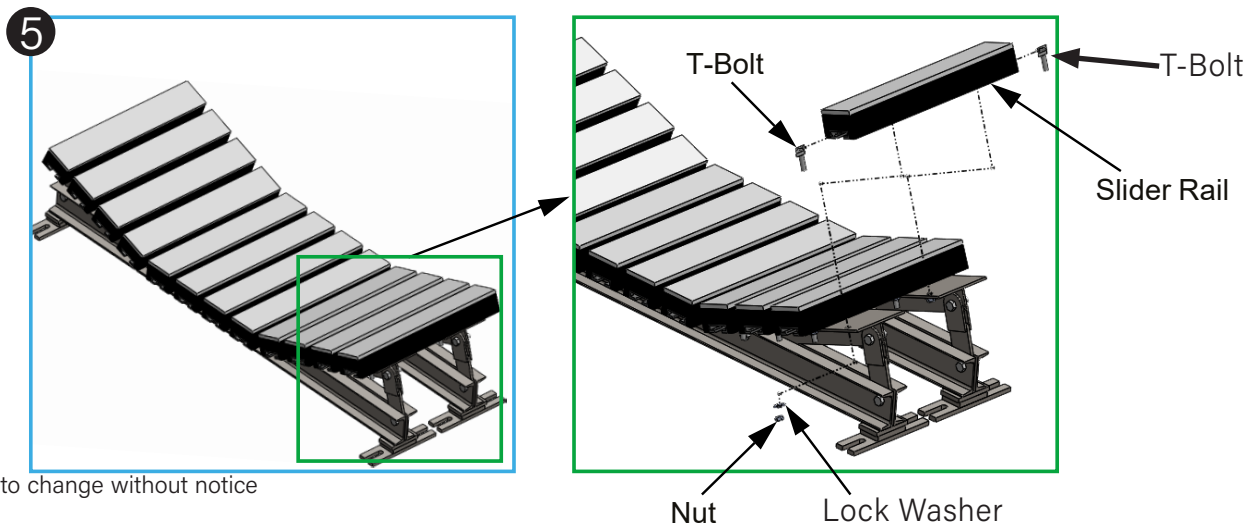
### OPTION 1: INSTALL FULLY ASSEMBLED SLIDER BED

If the Slider Bed arrived unassembled you will need to first assemble the Slider Bed.

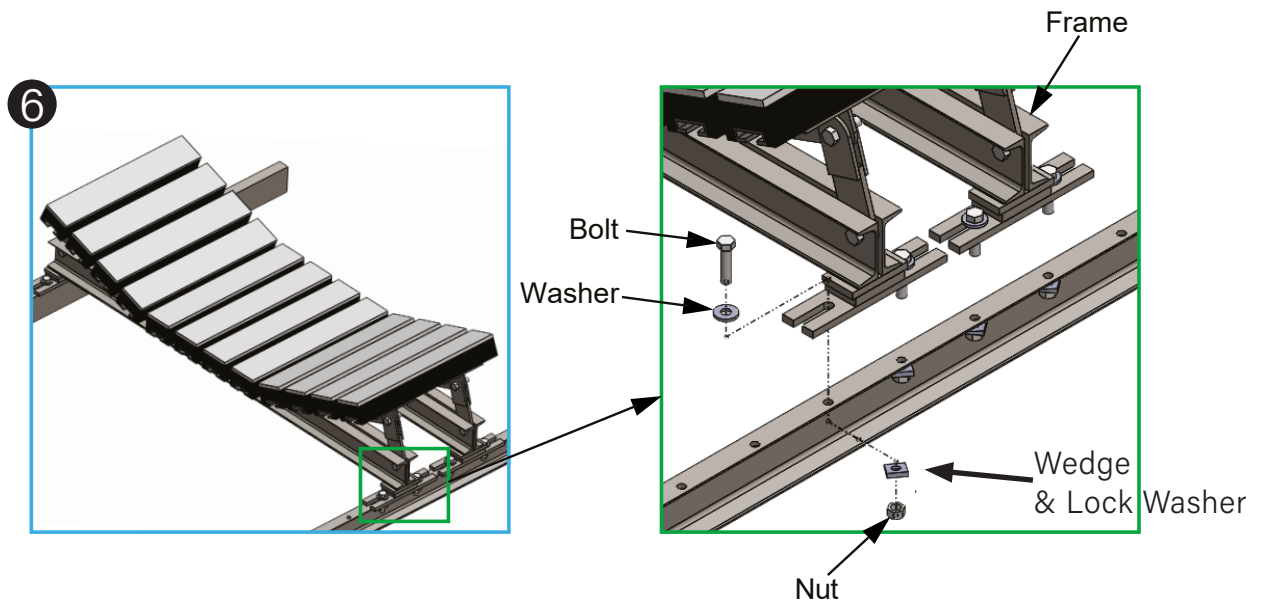
1. If needed attach the Slider Rails to the frames. Position the frames 12" apart.
2. Attach the Slider Rails to the frames in the center positions using the supplied T-Bolts with nuts and wedges. Use ONLY one T-Bolt to fasten the Slider Rail to each frame. Each frame consists of 2 C-Channels. The Slider Rail should only be attached to one of the C-Channels in each frame. Only have the nut snug and do not tighten the nut. The frame positions will need to be adjusted once on the conveyor. See Figure 4.



3. Attach the Slider Rails to the frames in the wing positions using the supplied T-Bolts with nuts and washers. Only have the nut snug and do not tighten the nut. The frame positions will need to be adjusted once on the conveyor. See Figure 5.



4. Place the fully assembled Slider Bed on the existing conveyor structure as a unit. See Figure 6.



5. Make sure the Slider Bed frames are 90° or perpendicular to the conveyor structure.

6. To secure the frames to the conveyor structure use 5/8 inch or 16 mm diameter bolts. Typical bolt spacing is between 7" and 9". See the footpad detail in this Manual for dimensions. PPI does not provide the hardware to fasten the Slider Bed to the conveyor structure.

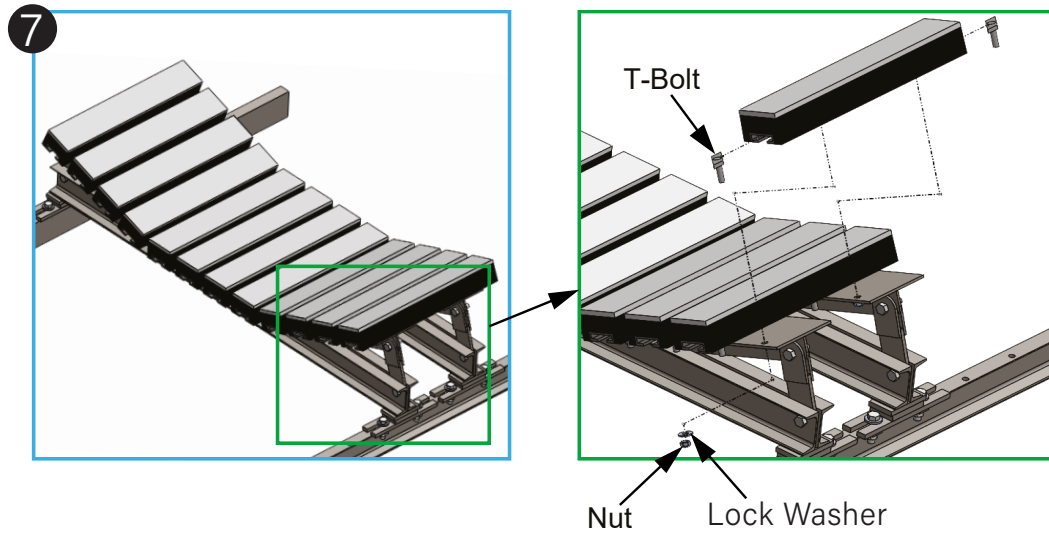
7. Tighten the bolts to secure the frames to the conveyor structure.

8. Tighten all the T-Bolts to secure the Slider Rails to the frames.

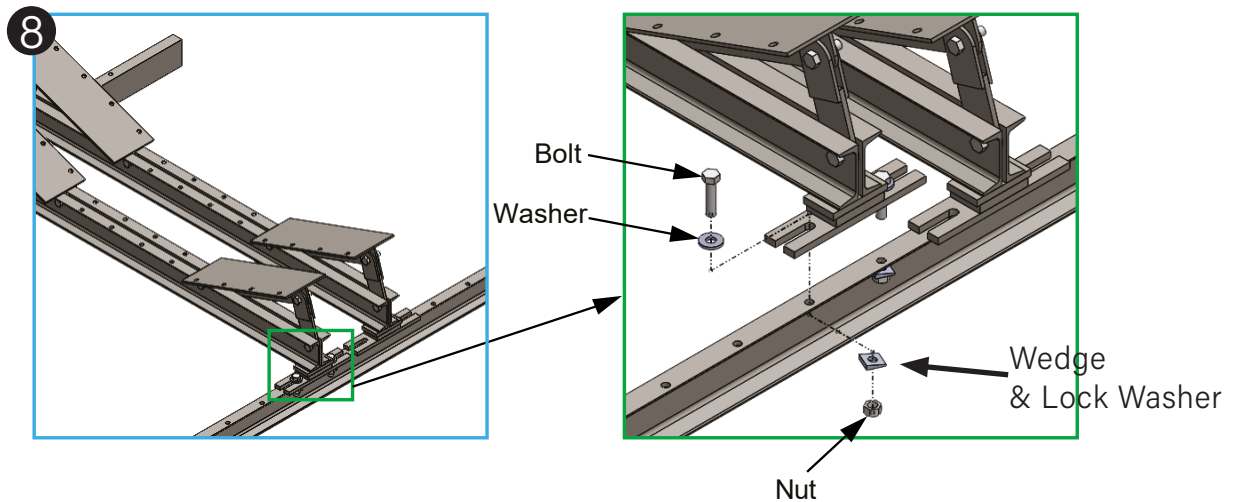
## OPTION 2: INSTALL PARTIALLY ASSEMBLED SLIDER BED

If the Slider Bed arrived fully assembled, the Slider Rails will need to be removed.

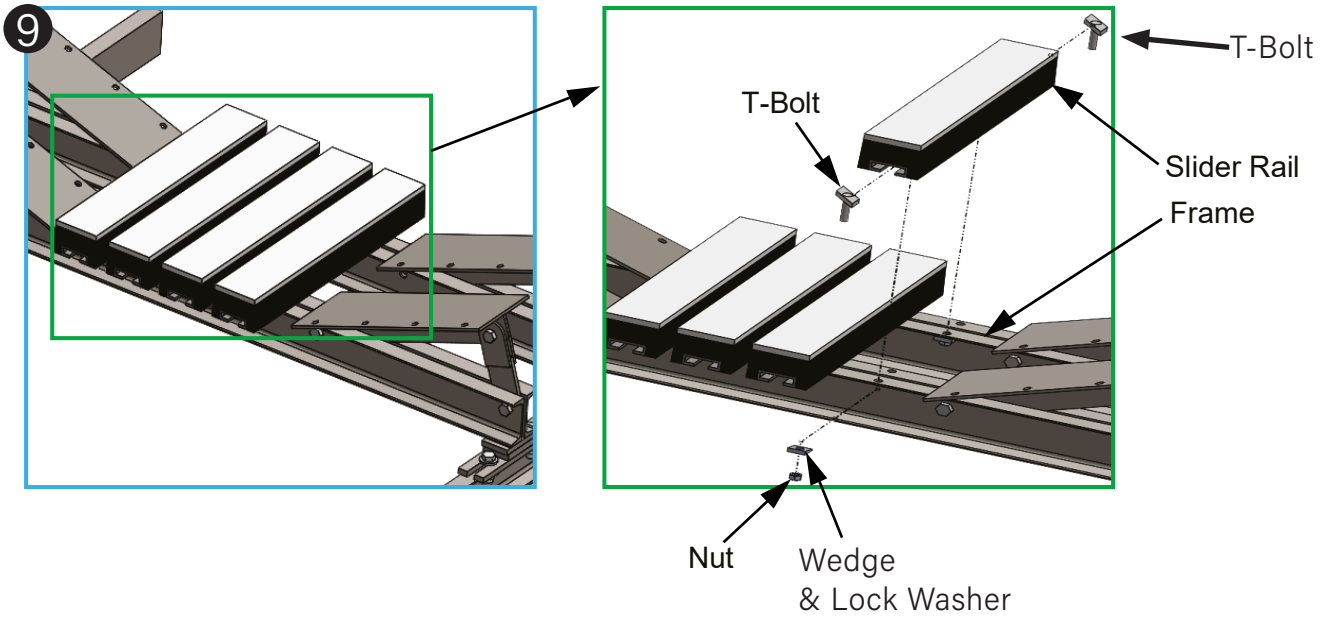
1. If needed remove the Slider Rails by removing the nut underneath. When all the nuts for one Slider Rail are removed the Slider Rail can be lifted up bringing the T-Bolts with it. The T-Bolts will slide out the ends of the Slider Rail. See Figure 7.



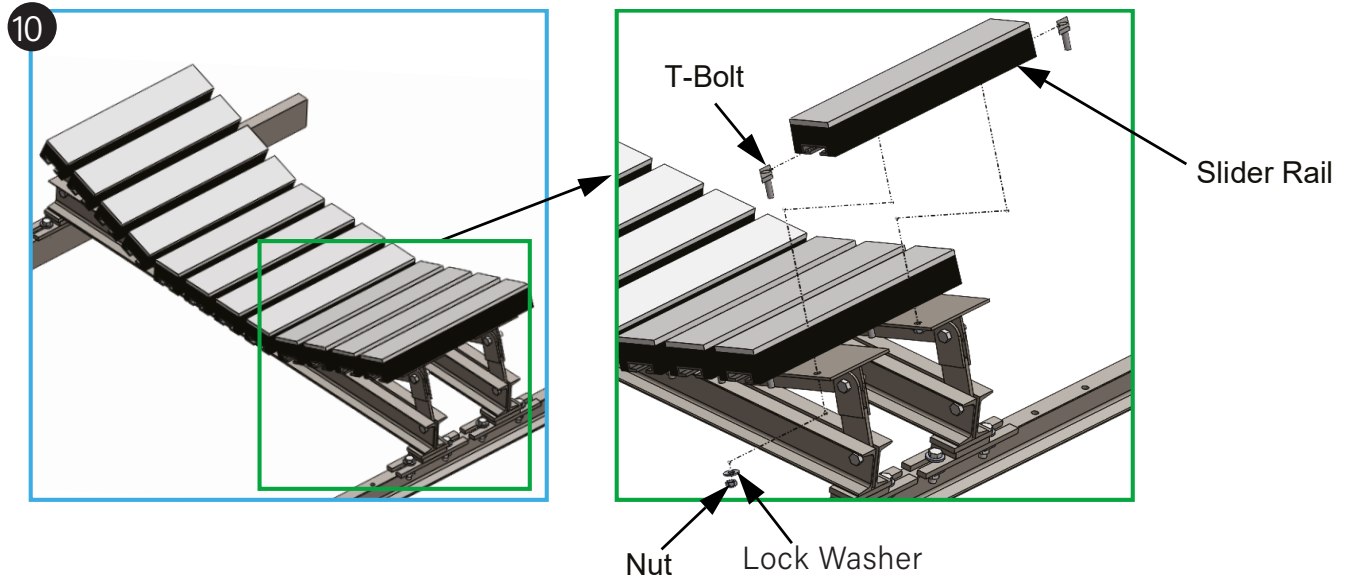
2. Place the frame on the existing conveyor structure as shown in Figure 8.
3. Ensure the first frame is 90° or perpendicular to the conveyor structure and tighten in place. Bolt the frame securely to the structure using 5/8 inch or 16 mm diameter bolts. Typical bolt spacing is between 7" and 9". See the footpad detail in this Manual for dimensions. PPI does not provide the hardware to fasten the Slider Bed to the conveyor structure.
4. Place the remaining frames onto the structure maintaining 12 inch spacing between each frame as shown in Figure 8.



5. Attach the Slider Rails to the frames in the center positions using the supplied T-Bolts with nuts and wedges. Use ONLY one T-Bolt to fasten the Slider Rail to each frame. Each frame consists of 2 C-Channels. The Slider Rail should only be attached to one of the C-Channels in each frame. Only have the nut snug and do not tighten the nut. The frame positions will need to be adjusted once on the conveyor. See Figure 9.



6. Attach the Slider Rails to the frames in the wing positions using the supplied T-Bolts with nuts and washers. Only have the nut snug and do not tighten the nut. The frame positions will need to be adjusted once on the conveyor. See Figure 10.



7. Tighten the bolts to secure the frames to the conveyor structure.

8. Tighten all the T-Bolts to secure the Slider Rails to the frames.

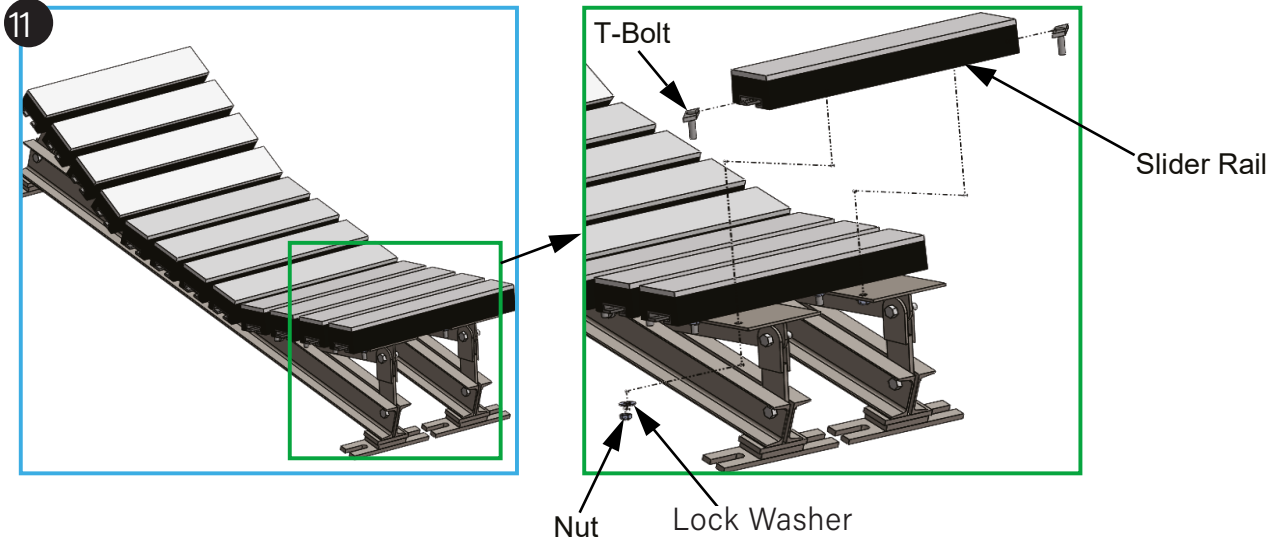


### OPTION 3: INSTALL UNASSEMBLED SLIDER BED

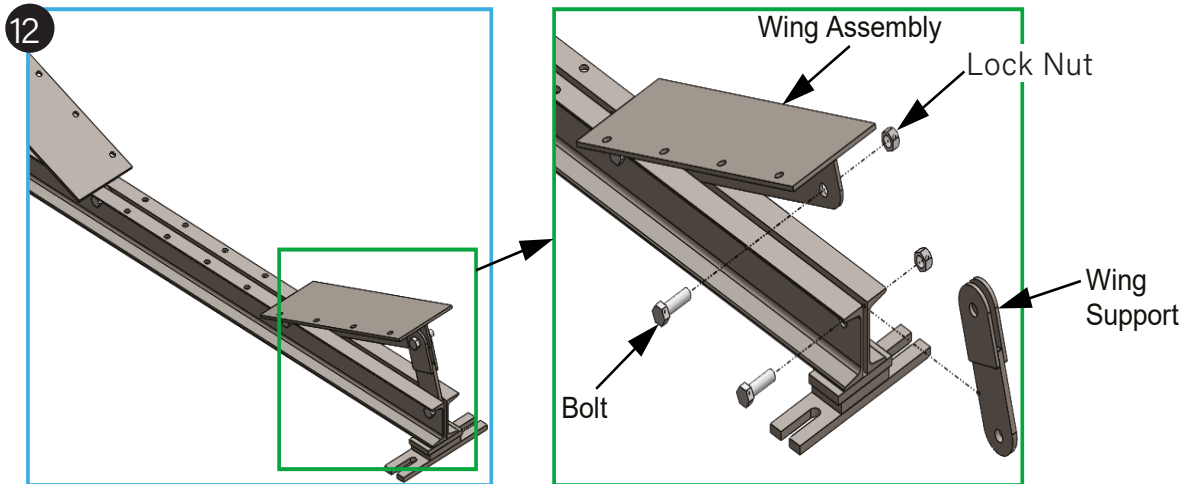
If the Slider Bed arrived fully assembled the Slider Rails and Wing Supports will need to be removed. In some cases the Wing Support is part of the Wing Assembly so the complete Wing Assembly will need to be removed.

If the Slider Bed arrived partially assembled the Wing Supports will need to be removed. In some cases the Wing Support is part of the Wing Assembly so the complete Wing Assembly will need to be removed.

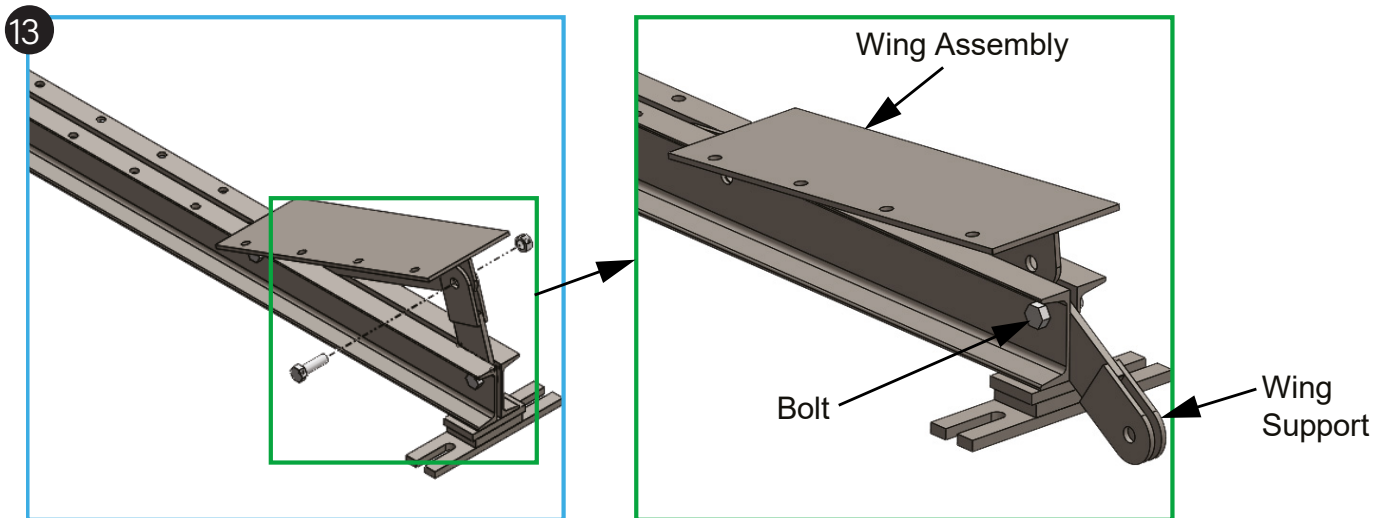
1. If needed remove the Slider Rails by removing the nut underneath. When all the nuts for one Slider Rail are removed the Slider Rail can be lifted up bringing the T-Bolts with it. The T-Bolts will slide out the ends of the Slider Rail. See Figure 11.



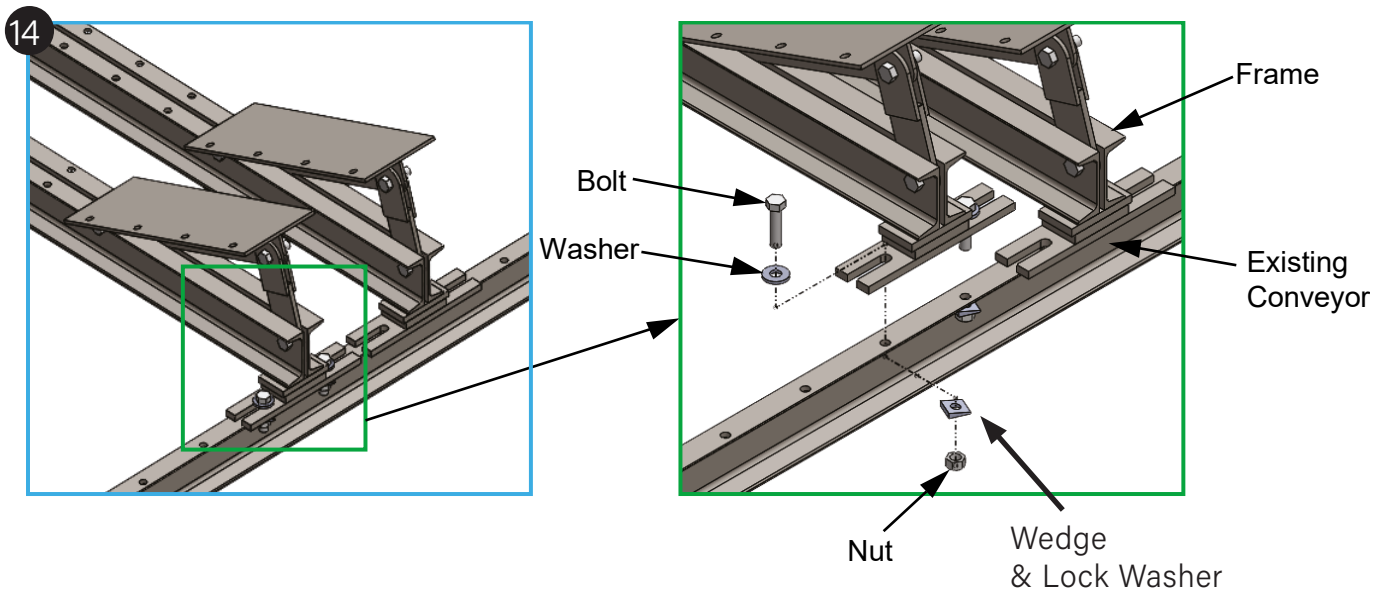
2. If needed remove the Wing Supports by removing the bolt from the end of the C-Channel and the bolt from the top of the Wing Support. See Figure 12.



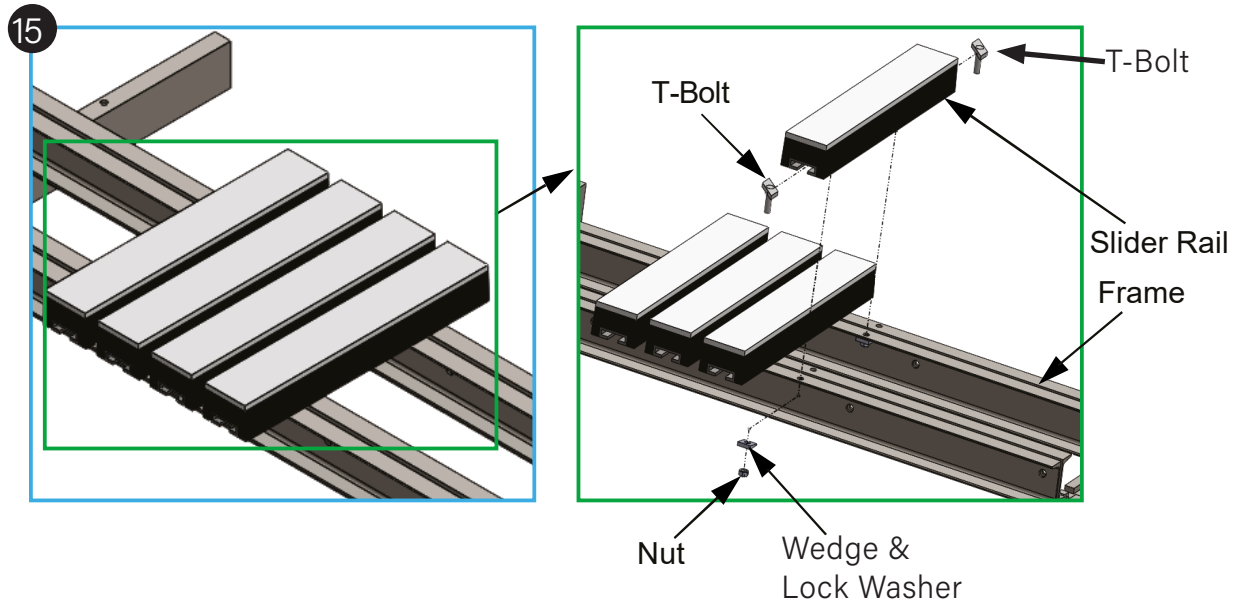
3. For most belt widths the Wing Assembly can be folded flat against the C-Channels of the frame. The bolt connecting the Wing Assembly may have to be loosened. See Figure 13.



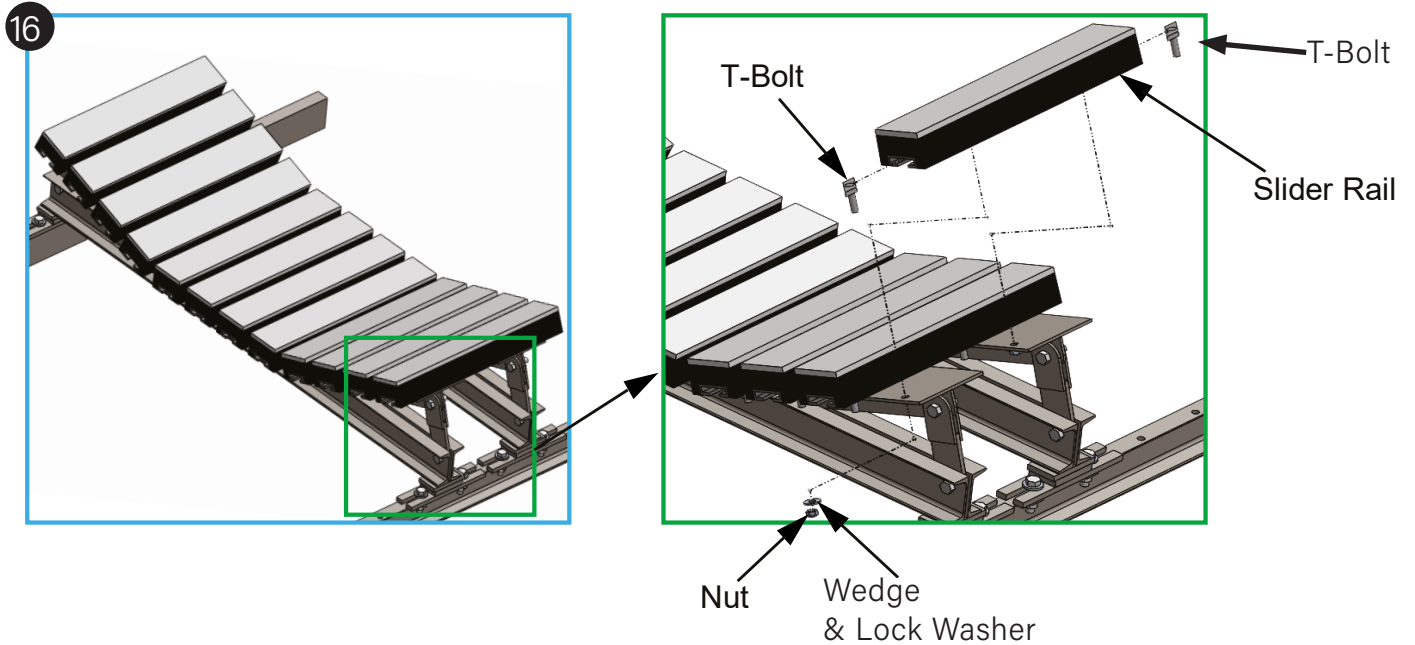
4. For some belt widths the Wing Assembly will need to be removed. To remove the Wing Assembly, remove the remaining bolt in the C-Channel and lift the Wing Assembly off the frame.
5. Place the frame on the existing conveyor structure as shown in Figure 14.
6. Ensure the first frame is 90° or perpendicular to the conveyor structure and tighten in place. Bolt the frame securely to the structure using 5/8 inch or 16 mm diameter bolts. Typical bolt spacing is between 7" and 9". See the footpad detail in this Manual for dimensions. PPI does not provide the hardware to fasten the Slider Bed to the conveyor structure.
7. Place the remaining frames onto the structure maintaining 12 inch spacing between each frame as shown in Figure 14.



8. Attach the Slider Rails to the frames in the center positions using the supplied T-Bolts with nuts and wedges. Use ONLY one T-Bolt to fasten the Slider Rail to each frame. Each frame consists of 2 C-Channels. The Slider Rail should only be attached to one of the C-Channels in each frame. Only have the nut snug and do not tighten the nut. The frame positions will need to be adjusted once on the conveyor. See Figure 15.



9. Attach the Slider Rails to the frames in the wing positions using the supplied T-Bolts with nuts and washers. Only have the nut snug and do not tighten the nut. The frame positions will need to be adjusted once on the conveyor. See Figure 16.



10. Tighten the bolts to secure the frames to the conveyor structure.  
11. Tighten all the T-Bolts to secure the Slider Rails to the frames.

## SLIDER BED MAINTENANCE

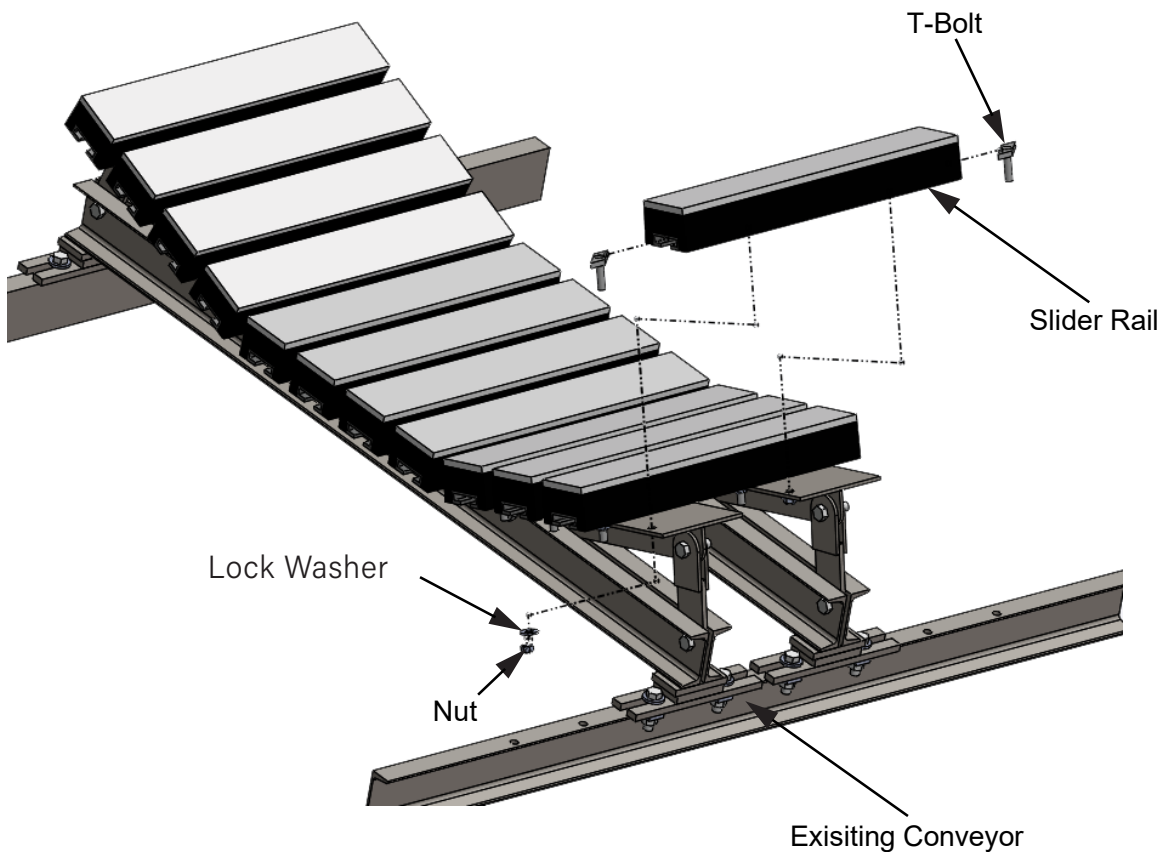
Reliable operation and long service life of Slider Beds depends upon the care taken during installation and operation. The information provided can be considered to be the minimum care recommended. Local environment, working conditions and regulations may require more frequent servicing. Periodically check to ensure all fasteners are tight.

## SLIDER BED INSPECTION

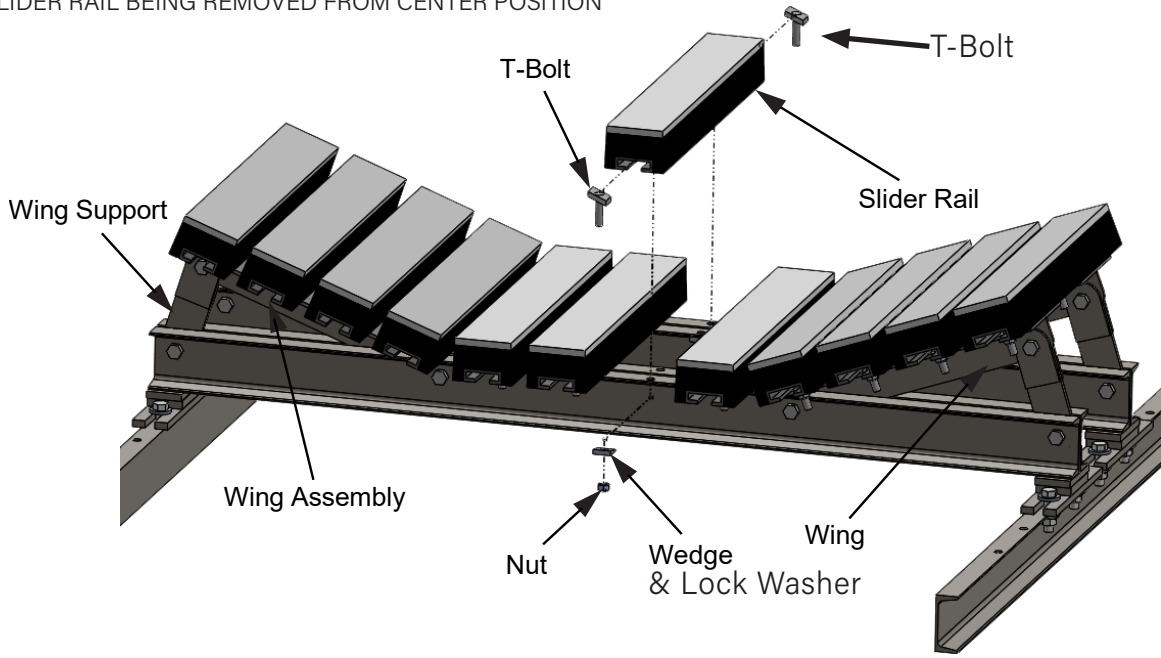
1. After the Slider Bed is installed and is in use, a visual inspection should be made to ensure the Slider Bed is performing properly. Make adjustment as needed. Inspections need to be done on a routine basis.
2. Inspect for material building up around the Slider Bed. Clean material buildup off the Slider Bed and conveyor structure.
3. When Slider Rails are worn through the UHMW material and rubber is showing, they need to be replaced.
4. Check if there is damage to the Slider Bed, belt or other conveyor components.
5. Inspect all fasteners for tightness and wear. Tighten or replace as needed.
6. When maintenance tasks are completed, test run the conveyor to ensure the Slider Bed is performing properly.

### Slider Rails Removal:

#### 17 SLIDER RAIL BEING REMOVED FROM WING

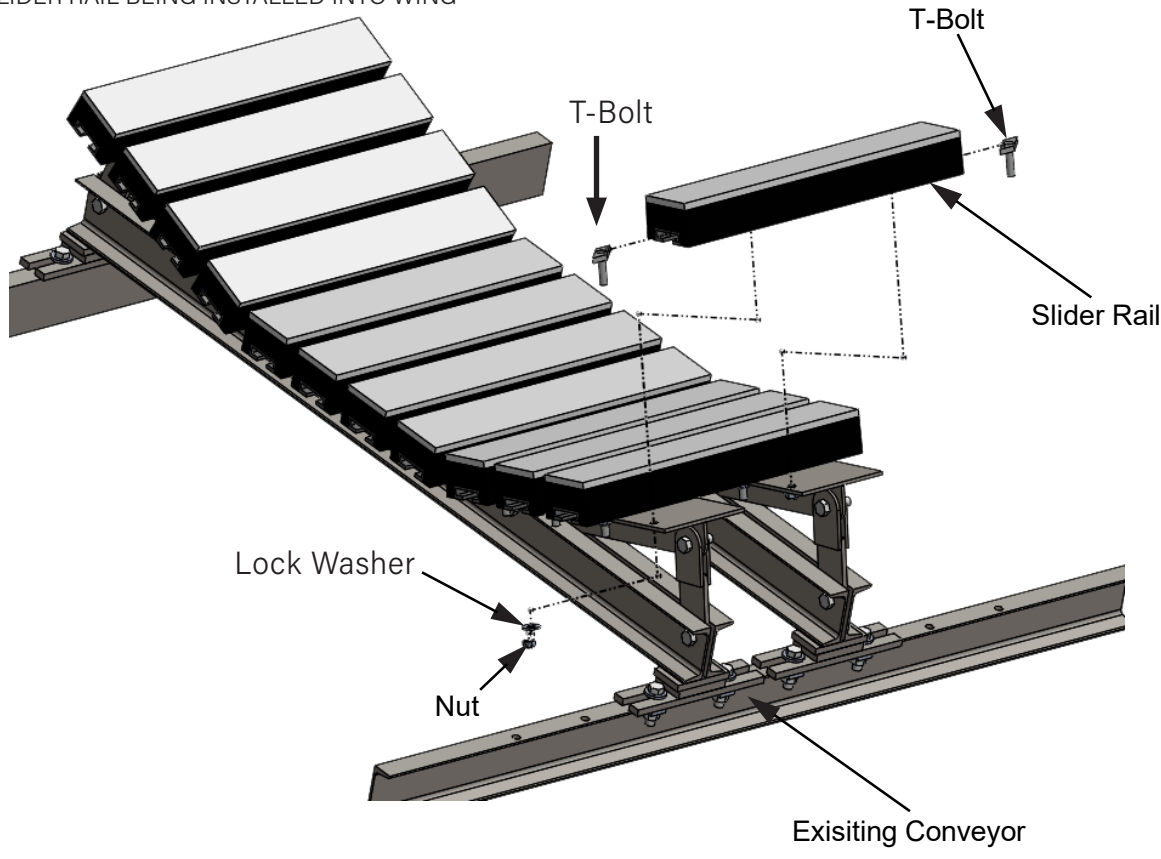


18 SLIDER RAIL BEING REMOVED FROM CENTER POSITION

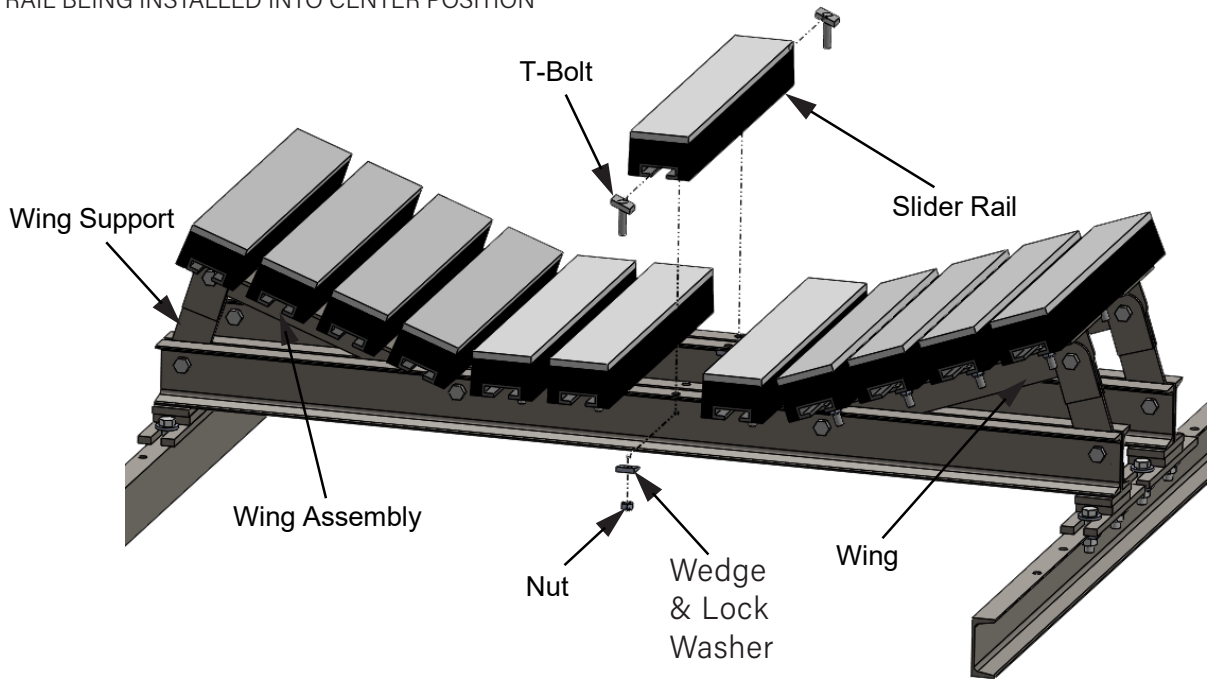


SLIDER RAILS INSTALLATION:

19 SLIDER RAIL BEING INSTALLED INTO WING

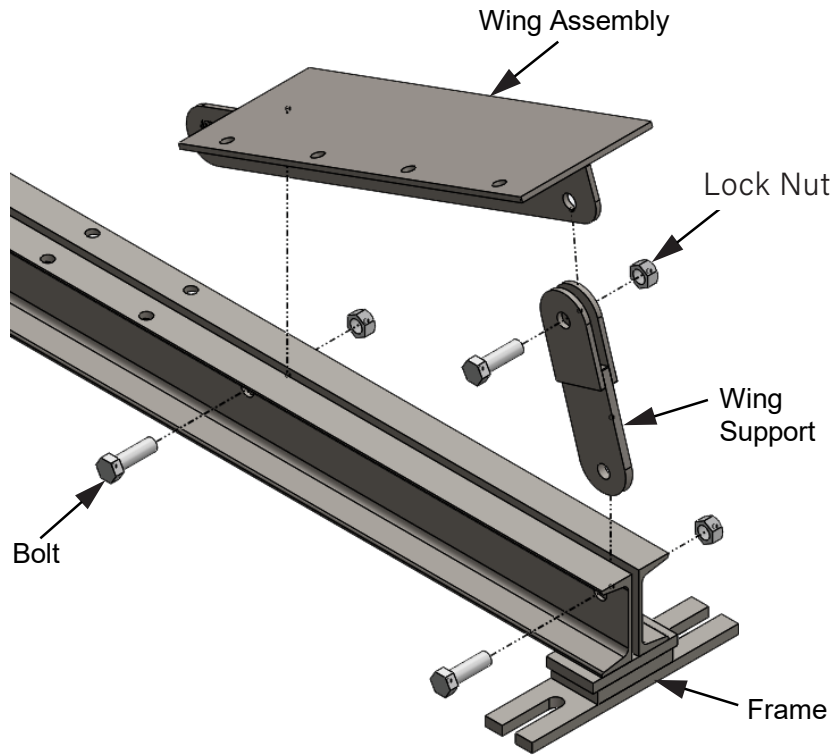


20 RAIL BEING INSTALLED INTO CENTER POSITION



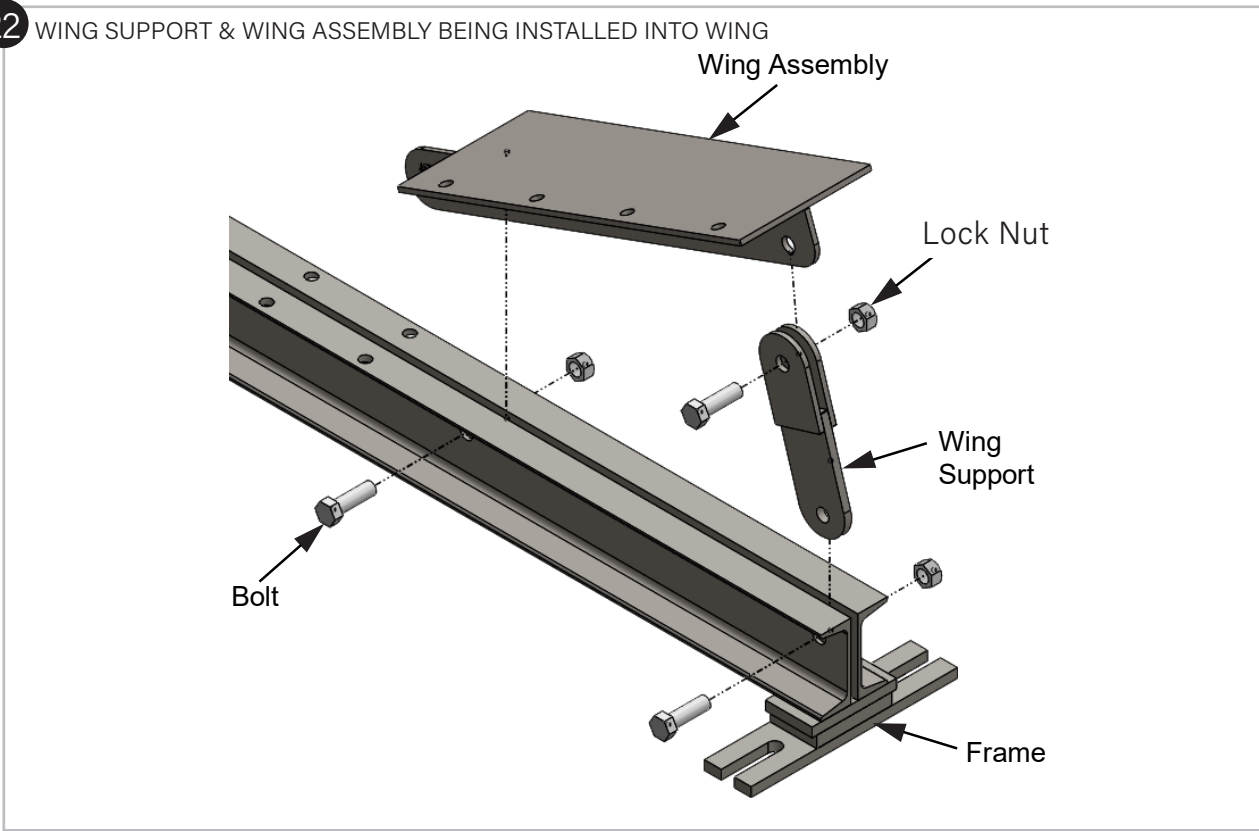
**Wing Support & Wing Assembly Removal:**

21 WING SUPPORT & WING ASSEMBLY BEING REMOVED FROM WING

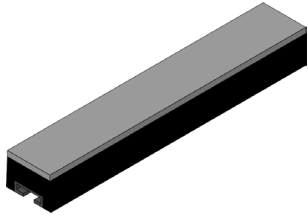


**Wing Support & Wing Assembly Installation:**

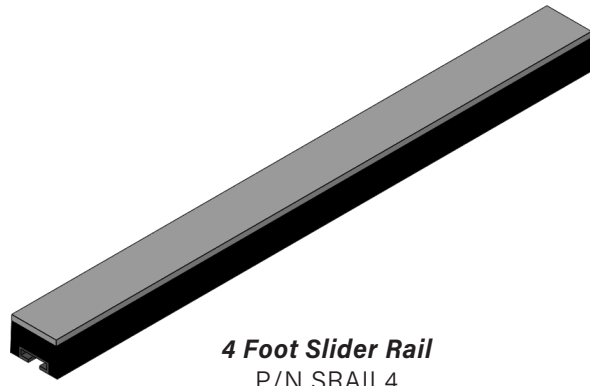
**22** WING SUPPORT & WING ASSEMBLY BEING INSTALLED INTO WING



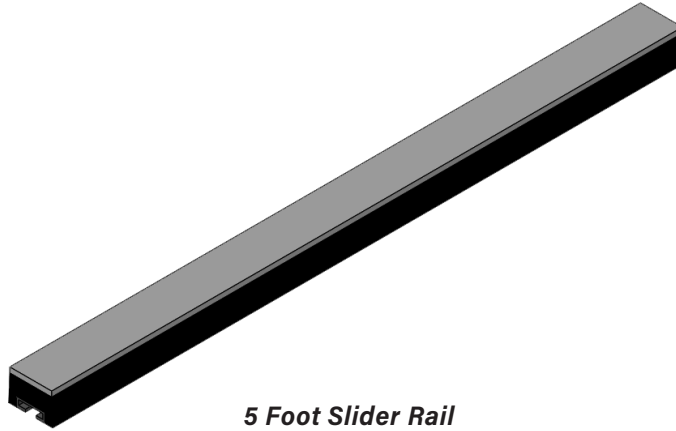
**REPLACEMENT PARTS LIST**



**2 Foot Slider Rail**  
P/N SRAIL2

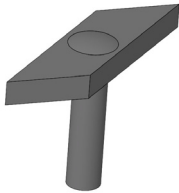


**4 Foot Slider Rail**  
P/N SRAIL4



**5 Foot Slider Rail**  
P/N SRAIL5

**Slider Rail Hardware**



**T-Bolt**  
P/N 44253



**1/2 Hex Nut**  
P/N 511288

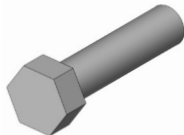


**1/2 Lock Washer**  
P/N 510161



**Hardware Wedge**  
P/N 504113

**Wing & Wing Support Hardware**



**5/8" x 2" Bolt**  
P/N 500390



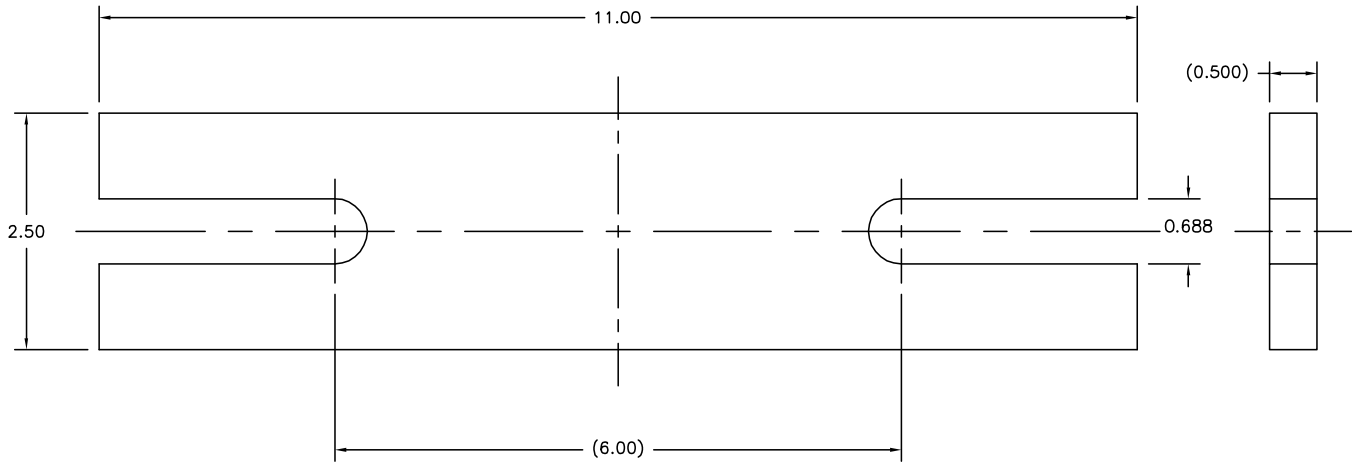
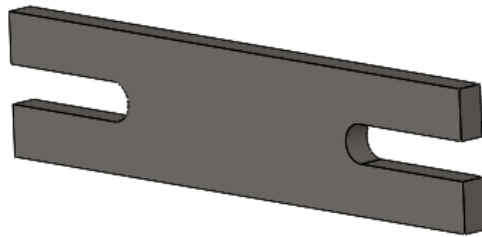
**5/8" Conical Self-Locking Hex Nut**  
P/N 513201



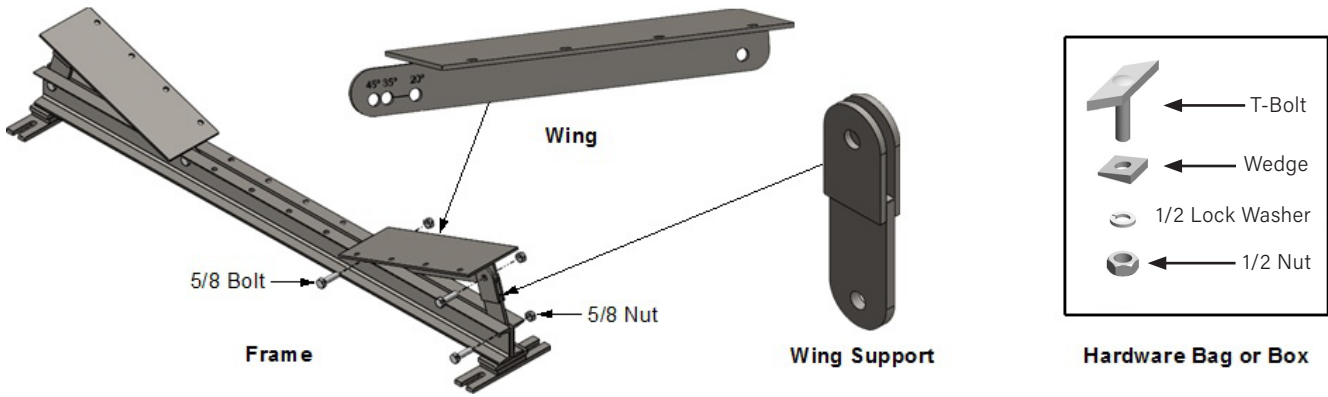
Please refer to the Table below for the Slider Rail quantity required on the wing and center frame for different belt widths.

Belt Width	Number of Slider Rails on Wing	Number of Slider Rails in CENTER
18	2	2
20	2	2
24	2	2
30	2	2
36	3	3
42	3	3
48	3	4
54	4	4
60	4	4
66	5	5
72	5	5

**FOOTPAD DETAIL**



## D - MEDIUM DUTY SLIDER BED



Frame Part #	Description	WT	Wing Support		Wing		5/8 Bolt QTY	5/8 Nut QTY	T Bolt QTY	1/2 Washer QTY	1/2 Nut QTY	Wedge QTY
			Part #	QTY	Part #	QTY						
ME20-D4-18F	D4 20 ME FRAME 18	54	-	-	41417-18	2	4	4	6	4	6	2
ME20-D4-20F	D4 20 ME FRAME 20	56	-	-	41417-20	2	4	4	6	4	6	2
ME20-D4-24F	D4 20 ME FRAME 24	60	-	-	41417-24	2	4	4	6	4	6	2
ME20-D4-30F	D4 20 ME FRAME 30	70	-	-	41417-30	2	4	4	6	4	6	2
ME20-D4-36F	D4 20 ME FRAME 36	81	-	-	41417-36	2	4	4	9	6	9	3
ME20-D4-42F	D4 20 ME FRAME 42	92	41410-42	2	41418-42	2	6	6	9	6	9	3
ME20-D4-48F	D4 20 ME FRAME 48	102	41410-48	2	41418-48	2	6	6	10	6	10	4
ME20-D4-54F	D4 20 ME FRAME 54	116	41410-54	2	41418-54	2	6	6	12	8	12	4
ME20-D4-60F	D4 20 ME FRAME 60	125	41410-60	2	41418-60	2	6	6	13	8	13	5
ME20-D4-66F	D4 20 ME FRAME 66	135	41410-66	2	41418-66	2	6	6	15	10	15	5
ME20-D4-72F	D4 20 ME FRAME 72	144	41410-72	2	41418-72	2	6	6	15	10	15	5

ME20-C4-54F	C4 20 ME FRAME 54	114	41410-54	2	41418-54	2	6	6	12	8	12	4
ME20-C4-60F	C4 20 ME FRAME 60	123	41410-60	2	41418-60	2	6	6	13	8	13	5

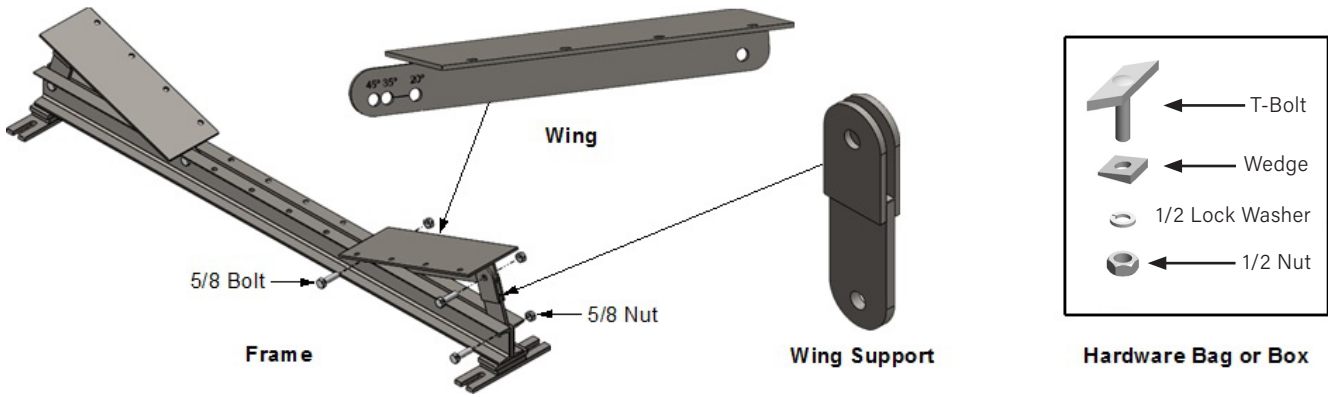
ME20-D5-18F	D5 20 ME FRAME 18	57	-	-	41417-18	2	4	4	6	4	6	2
ME20-D5-20F	D5 20 ME FRAME 20	59	-	-	41417-20	2	4	4	6	4	6	2
ME20-D5-24F	D5 20 ME FRAME 24	63	-	-	41417-24	2	4	4	6	4	6	2
ME20-D5-30F	D5 20 ME FRAME 30	73	-	-	41417-30	2	4	4	6	4	6	2
ME20-D5-36F	D5 20 ME FRAME 36	84	-	-	41417-36	2	4	4	9	6	9	3
ME20-D5-42F	D5 20 ME FRAME 42	95	41410-42	2	41418-42	2	6	6	9	6	9	3
ME20-D5-48F	D5 20 ME FRAME 48	104	41410-48	2	41418-48	2	6	6	10	6	10	4
ME20-D5-54F	D5 20 ME FRAME 54	135	41410-54	2	41418-54	2	6	6	12	8	12	4
ME20-D5-60F	D5 20 ME FRAME 60	147	41410-60	2	41418-60	2	6	6	13	8	13	5
ME20-D5-66F	D5 20 ME FRAME 66	159	41410-66	2	41418-66	2	6	6	15	10	15	5
ME20-D5-72F	D5 20 ME FRAME 72	170	41410-72	2	41418-72	2	6	6	15	10	15	5

ME20-C5-54F	C5 20 ME FRAME 54	117	41410-54	2	41418-54	2	6	6	12	8	12	4
ME20-C5-60F	C5 20 ME FRAME 60	126	41410-60	2	41418-60	2	6	6	13	8	13	5

ME20-D6-18F	D6 20 ME FRAME 18	60	-	-	41417-18	2	4	4	6	4	6	2
ME20-D6-20F	D6 20 ME FRAME 20	62	-	-	41417-20	2	4	4	6	4	6	2
ME20-D6-24F	D6 20 ME FRAME 24	66	-	-	41417-24	2	4	4	6	4	6	2
ME20-D6-30F	D6 20 ME FRAME 30	76	-	-	41417-30	2	4	4	6	4	6	2
ME20-D6-36F	D6 20 ME FRAME 36	87	-	-	41417-36	2	4	4	9	6	9	3
ME20-D6-42F	D6 20 ME FRAME 42	98	41410-42	2	41418-42	2	6	6	9	6	9	3
ME20-D6-48F	D6 20 ME FRAME 48	107	41410-48	2	41418-48	2	6	6	10	6	10	4
ME20-D6-54F	D6 20 ME FRAME 54	138	41410-54	2	41418-54	2	6	6	12	8	12	4
ME20-D6-60F	D6 20 ME FRAME 60	150	41410-60	2	41418-60	2	6	6	13	8	13	5
ME20-D6-66F	D6 20 ME FRAME 66	162	41410-66	2	41418-66	2	6	6	15	10	15	5
ME20-D6-72F	D6 20 ME FRAME 72	174	41410-72	2	41418-72	2	6	6	15	10	15	5

ME20-C6-54F	C6 20 ME FRAME 54	120	41410-54	2	41418-54	2	6	6	12	8	12	4
ME20-C6-60F	C6 20 ME FRAME 60	129	41410-60	2	41418-60	2	6	6	13	8	13	5

## D - MEDIUM DUTY SLIDER BED



Frame Part #	Description	WT	Wing Support		Wing		5/8 Bolt QTY	5/8 Nut QTY	T Bolt QTY	1/2 Washer QTY	1/2 Nut QTY	Wedge QTY
			Part #	QTY	Part #	QTY						
ME35-D4-18F	D4 35 ME FRAME 18	57	41411-18	2	41418-18-20	2	6	6	6	6	6	2
ME35-D4-20F	D4 35 ME FRAME 20	59	41411-20	2	41418-18-20	2	6	6	6	6	6	2
ME35-D4-24F	D4 35 ME FRAME 24	63	41411-24	2	41418-24	2	6	6	6	6	6	2
ME35-D4-30F	D4 35 ME FRAME 30	73	41411-30	2	41418-30	2	6	6	6	6	6	2
ME35-D4-36F	D4 35 ME FRAME 36	83	41411-36	2	41418-36	2	6	6	9	6	9	3
ME35-D4-42F	D4 35 ME FRAME 42	95	41411-42	2	41418-42	2	6	6	9	6	9	3
ME35-D4-48F	D4 35 ME FRAME 48	104	41411-48	2	41418-48	2	6	6	10	6	10	4
ME35-D4-54F	D4 35 ME FRAME 54	119	41411-54	2	41418-54	2	6	6	12	8	12	4
ME35-D4-60F	D4 35 ME FRAME 60	128	41411-60	2	41418-60	2	6	6	13	8	13	5
ME35-D4-66F	D4 35 ME FRAME 66	138	41411-66	2	41418-66	2	6	6	15	10	15	5
ME35-D4-72F	D4 35 ME FRAME 72	147	41411-72	2	41418-72	2	6	6	15	10	15	5

ME35-C4-54F	C4 35 ME FRAME 54	117	41411-54	2	41418-54	2	6	6	12	8	12	4
ME35-C4-60F	C4 35 ME FRAME 60	126	41411-60	2	41418-60	2	6	6	13	8	13	5

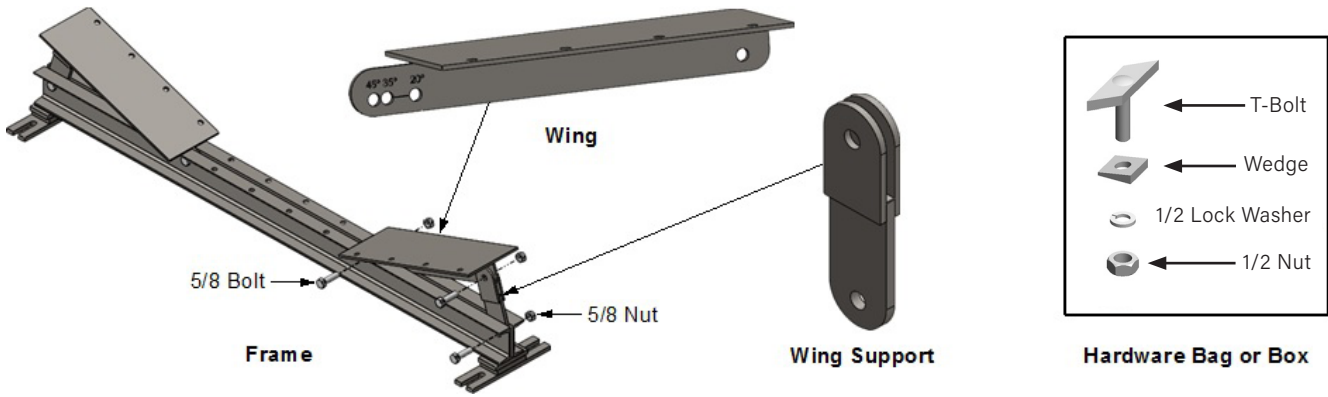
ME35-D5-18F	D5 35 ME FRAME 18	60	41411-18	2	41418-18-20	2	6	6	6	6	6	2
ME35-D5-20F	D5 35 ME FRAME 20	62	41411-20	2	41418-18-20	2	6	6	6	6	6	2
ME35-D5-24F	D5 35 ME FRAME 24	66	41411-24	2	41418-24	2	6	6	6	6	6	2
ME35-D5-30F	D5 35 ME FRAME 30	76	41411-30	2	41418-30	2	6	6	6	6	6	2
ME35-D5-36F	D5 35 ME FRAME 36	86	41411-36	2	41418-36	2	6	6	9	6	9	3
ME35-D5-42F	D5 35 ME FRAME 42	98	41411-42	2	41418-42	2	6	6	9	6	9	3
ME35-D5-48F	D5 35 ME FRAME 48	107	41411-48	2	41418-48	2	6	6	10	6	10	4
ME35-D5-54F	D5 35 ME FRAME 54	138	41411-54	2	41418-54	2	6	6	12	8	12	4
ME35-D5-60F	D5 35 ME FRAME 60	150	41411-60	2	41418-60	2	6	6	13	8	13	5
ME35-D5-66F	D5 35 ME FRAME 66	162	41411-66	2	41418-66	2	6	6	15	10	15	5
ME35-D5-72F	D5 35 ME FRAME 72	174	41411-72	2	41418-72	2	6	6	15	10	15	5

ME35-C5-54F	C5 35 ME FRAME 54	119	41411-54	2	41418-54	2	6	6	12	8	12	4
ME35-C5-60F	C5 35 ME FRAME 60	129	41411-60	2	41418-60	2	6	6	13	8	13	5

ME35-D6-18F	D6 35 ME FRAME 18	63	41411-18	2	41418-18-20	2	6	6	6	6	6	2
ME35-D6-20F	D6 35 ME FRAME 20	65	41411-20	2	41418-18-20	2	6	6	6	6	6	2
ME35-D6-24F	D6 35 ME FRAME 24	69	41411-24	2	41418-24	2	6	6	6	6	6	2
ME35-D6-30F	D6 35 ME FRAME 30	79	41411-30	2	41418-30	2	6	6	6	6	6	2
ME35-D6-36F	D6 35 ME FRAME 36	89	41411-36	2	41418-36	2	6	6	9	6	9	3
ME35-D6-42F	D6 35 ME FRAME 42	101	41411-42	2	41418-42	2	6	6	9	6	9	3
ME35-D6-48F	D6 35 ME FRAME 48	110	41411-48	2	41418-48	2	6	6	10	6	10	4
ME35-D6-54F	D6 35 ME FRAME 54	141	41411-54	2	41418-54	2	6	6	12	8	12	4
ME35-D6-60F	D6 35 ME FRAME 60	153	41411-60	2	41418-60	2	6	6	13	8	13	5
ME35-D6-66F	D6 35 ME FRAME 66	166	41411-66	2	41418-66	2	6	6	15	10	15	5
ME35-D6-72F	D6 35 ME FRAME 72	177	41411-72	2	41418-72	2	6	6	15	10	15	5

ME35-C6-54F	C6 35 ME FRAME 54	122	41411-54	2	41418-54	2	6	6	12	8	12	4
ME35-C6-60F	C6 35 ME FRAME 60	132	41411-60	2	41418-60	2	6	6	13	8	13	5

## D - MEDIUM DUTY SLIDER BED



Frame Part #	Description	WT	Wing Support		Wing		5/8 Bolt QTY	5/8 Nut QTY	T Bolt QTY	1/2 Washer QTY	1/2 Nut QTY	Wedge QTY
			Part #	QTY	Part #	QTY						
ME45-D4-18F	D4 45 ME FRAME 18	58	41412-18	2	41418-18-20	2	6	6	6	6	6	2
ME45-D4-20F	D4 45 ME FRAME 20	60	41412-20	2	41418-18-20	2	6	6	6	6	6	2
ME45-D4-24F	D4 45 ME FRAME 24	64	41412-24	2	41418-24	2	6	6	6	6	6	2
ME45-D4-30F	D4 45 ME FRAME 30	74	41412-30	2	41418-30	2	6	6	6	6	6	2
ME45-D4-36F	D4 45 ME FRAME 36	85	41412-36	2	41418-36	2	6	6	9	6	9	3
ME45-D4-42F	D4 45 ME FRAME 42	96	41412-42	2	41418-42	2	6	6	9	6	9	3
ME45-D4-48F	D4 45 ME FRAME 48	106	41412-48	2	41418-48	2	6	6	10	6	10	4
ME45-D4-54F	D4 45 ME FRAME 54	121	41412-54	2	41418-54	2	6	6	12	8	12	4
ME45-D4-60F	D4 45 ME FRAME 60	130	41412-60	2	41418-60	2	6	6	13	8	13	5
ME45-D4-66F	D4 45 ME FRAME 66	141	41412-66	2	41418-66	2	6	6	15	10	15	5
ME45-D4-72F	D4 45 ME FRAME 72	150	41412-72	2	41418-72	2	6	6	15	10	15	5

ME45-C4-54F	C4 45 ME FRAME 54	118	41412-54	2	41418-54	2	6	6	12	8	12	4
ME45-C4-60F	C4 45 ME FRAME 60	128	41412-60	2	41418-60	2	6	6	13	8	13	5

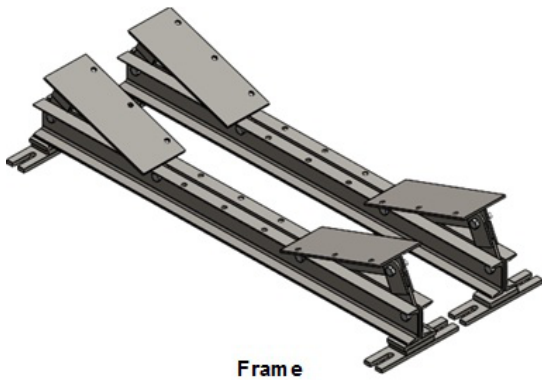
ME45-D5-18F	D5 45 ME FRAME 18	61	41412-18	2	41418-18-20	2	6	6	6	6	6	2
ME45-D5-20F	D5 45 ME FRAME 20	63	41412-20	2	41418-18-20	2	6	6	6	6	6	2
ME45-D5-24F	D5 45 ME FRAME 24	67	41412-24	2	41418-24	2	6	6	6	6	6	2
ME45-D5-30F	D5 45 ME FRAME 30	77	41412-30	2	41418-30	2	6	6	6	6	6	2
ME45-D5-36F	D5 45 ME FRAME 36	88	41412-36	2	41418-36	2	6	6	9	6	9	3
ME45-D5-42F	D5 45 ME FRAME 42	99	41412-42	2	41418-42	2	6	6	9	6	9	3
ME45-D5-48F	D5 45 ME FRAME 48	109	41412-48	2	41418-48	2	6	6	10	6	10	4
ME45-D5-54F	D5 45 ME FRAME 54	140	41412-54	2	41418-54	2	6	6	12	8	12	4
ME45-D5-60F	D5 45 ME FRAME 60	152	41412-60	2	41418-60	2	6	6	13	8	13	5
ME45-D5-66F	D5 45 ME FRAME 66	164	41412-66	2	41418-66	2	6	6	15	10	15	5
ME45-D5-72F	D5 45 ME FRAME 72	176	41412-72	2	41418-72	2	6	6	15	10	15	5

ME45-C5-54F	C5 45 ME FRAME 54	121	41412-54	2	41418-54	2	6	6	12	8	12	4
ME45-C5-60F	C5 45 ME FRAME 60	131	41412-60	2	41418-60	2	6	6	13	8	13	5

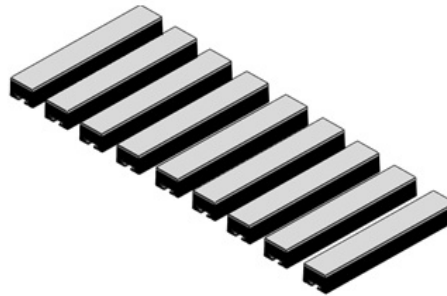
ME45-D6-18F	D6 45 ME FRAME 18	64	41412-18	2	41418-18-20	2	6	6	6	4	6	2
ME45-D6-20F	D6 45 ME FRAME 20	66	41412-20	2	41418-18-20	2	6	6	6	6	6	2
ME45-D6-24F	D6 45 ME FRAME 24	70	41412-24	2	41418-24	2	6	6	6	6	6	2
ME45-D6-30F	D6 45 ME FRAME 30	80	41412-30	2	41418-30	2	6	6	6	6	6	2
ME45-D6-36F	D6 45 ME FRAME 36	90	41412-36	2	41418-36	2	6	6	9	6	9	3
ME45-D6-42F	D6 45 ME FRAME 42	102	41412-42	2	41418-42	2	6	6	9	6	9	3
ME45-D6-48F	D6 45 ME FRAME 48	112	41412-48	2	41418-48	2	6	6	10	6	10	4
ME45-D6-54F	D6 45 ME FRAME 54	143	41412-54	2	41418-54	2	6	6	12	8	12	4
ME45-D6-60F	D6 45 ME FRAME 60	155	41412-60	2	41418-60	2	6	6	13	8	13	5
ME45-D6-66F	D6 45 ME FRAME 66	168	41412-66	2	41418-66	2	6	6	15	10	15	5
ME45-D6-72F	D6 45 ME FRAME 72	179	41412-72	2	41418-72	2	6	6	15	10	15	5

ME45-C6-54F	C6 45 ME FRAME 54	124	41412-54	2	41418-54	2	6	6	12	8	12	4
ME45-C6-60F	C6 45 ME FRAME 60	134	41412-60	2	41418-60	2	6	6	13	8	13	5

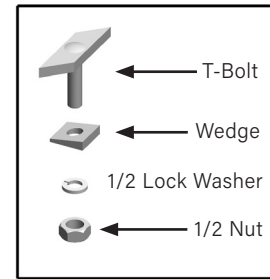
## 2 FOOT UNASSEMBLED C & D MEDIUM DUTY SLIDER BED



Frame



Rail



Hardware Bag or Box

Frame Part #	Description	WT	Wing Support		Wing		5/8 Bolt QTY	5/8 Nut QTY	T Bolt QTY	1/2 Washer QTY	1/2 Nut QTY	Wedge QTY
			Part #	QTY	Part #	QTY						
ME20-D4-18-2	2' RAIL 2 FRM ME COMPLETE	174	ME20-D4-18F	2	SRAIL2	6	8	8	12	8	12	4
ME20-D4-20-2	2' RAIL 2 FRM ME COMPLETE	178	ME20-D4-20F	2	SRAIL2	6	8	8	12	8	12	4
ME20-D4-24-2	2' RAIL 2 FRM ME COMPLETE	187	ME20-D4-24F	2	SRAIL2	6	8	8	12	8	12	4
ME20-D4-30-2	2' RAIL 2 FRM ME COMPLETE	207	ME20-D4-30F	2	SRAIL2	6	8	8	12	8	12	4
ME20-D4-36-2	2' RAIL 2 FRM ME COMPLETE	261	ME20-D4-36F	2	SRAIL2	9	8	8	18	12	18	6
ME20-D4-42-2	2' RAIL 2 FRM ME COMPLETE	284	ME20-D4-42F	2	SRAIL2	9	12	12	18	12	18	6
ME20-D4-48-2	2' RAIL 2 FRM ME COMPLETE	313	ME20-D4-48F	2	SRAIL2	10	12	12	20	12	20	8
ME20-D4-54-2	2' RAIL 2 FRM ME COMPLETE	364	ME20-D4-54F	2	SRAIL2	12	12	12	24	16	24	8
ME20-D4-60-2	2' RAIL 2 FRM ME COMPLETE	393	ME20-D4-60F	2	SRAIL2	13	12	12	26	16	26	10
ME20-D4-66-2	2' RAIL 2 FRM ME COMPLETE	435	ME20-D4-66F	2	SRAIL2	15	12	12	30	20	30	10
ME20-D4-72-2	2' RAIL 2 FRM ME COMPLETE	453	ME20-D4-72F	2	SRAIL2	15	12	12	30	20	30	10

ME20-C4-54-2	2' RAIL 2 FRM ME COMPLETE	360	ME20-C4-54F	2	SRAIL2	12	12	12	24	16	24	8
ME20-C4-60-2	2' RAIL 2 FRM ME COMPLETE	389	ME20-C4-60F	2	SRAIL2	13	12	12	26	16	26	10

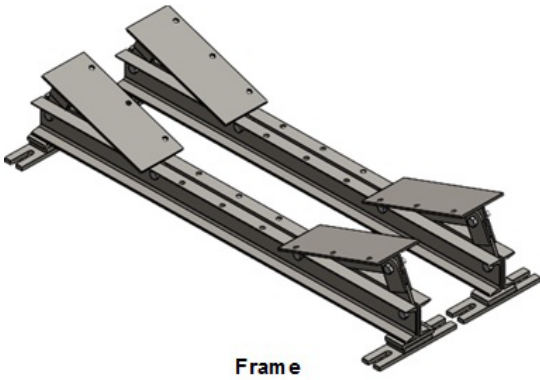
ME20-D5-18-2	2' RAIL 2 FRM ME COMPLETE	179	ME20-D5-18F	2	SRAIL2	6	8	8	12	8	12	4
ME20-D5-20-2	2' RAIL 2 FRM ME COMPLETE	183	ME20-D5-20F	2	SRAIL2	6	8	8	12	8	12	4
ME20-D5-24-2	2' RAIL 2 FRM ME COMPLETE	192	ME20-D5-24F	2	SRAIL2	6	8	8	12	8	12	4
ME20-D5-30-2	2' RAIL 2 FRM ME COMPLETE	213	ME20-D5-30F	2	SRAIL2	6	8	8	12	8	12	4
ME20-D5-36-2	2' RAIL 2 FRM ME COMPLETE	268	ME20-D5-36F	2	SRAIL2	9	8	8	18	12	18	6
ME20-D5-42-2	2' RAIL 2 FRM ME COMPLETE	290	ME20-D5-42F	2	SRAIL2	9	12	12	18	12	18	6
ME20-D5-48-2	2' RAIL 2 FRM ME COMPLETE	319	ME20-D5-48F	2	SRAIL2	10	12	12	20	12	20	8
ME20-D5-54-2	2' RAIL 2 FRM ME COMPLETE	402	ME20-D5-54F	2	SRAIL2	12	12	12	24	16	24	8
ME20-D5-60-2	2' RAIL 2 FRM ME COMPLETE	436	ME20-D5-60F	2	SRAIL2	13	12	12	26	16	26	10
ME20-D5-66-2	2' RAIL 2 FRM ME COMPLETE	483	ME20-D5-66F	2	SRAIL2	15	12	12	30	20	30	10
ME20-D5-72-2	2' RAIL 2 FRM ME COMPLETE	506	ME20-D5-72F	2	SRAIL2	15	12	12	30	20	30	10

ME20-C5-54-2	2' RAIL 2 FRM ME COMPLETE	365	ME20-C5-54F	2	SRAIL2	12	12	12	24	16	24	8
ME20-C5-60-2	2' RAIL 2 FRM ME COMPLETE	395	ME20-C5-60F	2	SRAIL2	13	12	12	26	16	26	10

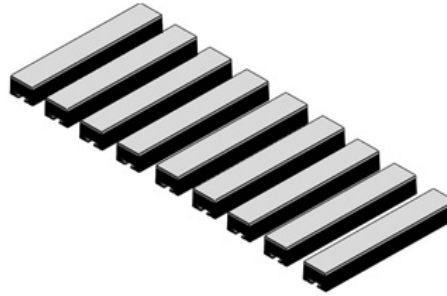
ME20-D6-18-2	2' RAIL 2 FRM ME COMPLETE	185	ME20-D6-18F	2	SRAIL2	6	8	8	12	8	12	4
ME20-D6-20-2	2' RAIL 2 FRM ME COMPLETE	189	ME20-D6-20F	2	SRAIL2	6	8	8	12	8	12	4
ME20-D6-24-2	2' RAIL 2 FRM ME COMPLETE	198	ME20-D6-24F	2	SRAIL2	6	8	8	12	8	12	4
ME20-D6-30-2	2' RAIL 2 FRM ME COMPLETE	218	ME20-D6-30F	2	SRAIL2	6	8	8	12	8	12	4
ME20-D6-36-2	2' RAIL 2 FRM ME COMPLETE	273	ME20-D6-36F	2	SRAIL2	9	8	8	18	12	18	6
ME20-D6-42-2	2' RAIL 2 FRM ME COMPLETE	296	ME20-D6-42F	2	SRAIL2	9	12	12	18	12	18	6
ME20-D6-48-2	2' RAIL 2 FRM ME COMPLETE	325	ME20-D6-48F	2	SRAIL2	10	12	12	20	12	20	8
ME20-D6-54-2	2' RAIL 2 FRM ME COMPLETE	408	ME20-D6-54F	2	SRAIL2	12	12	12	24	16	24	8
ME20-D6-60-2	2' RAIL 2 FRM ME COMPLETE	443	ME20-D6-60F	2	SRAIL2	13	12	12	26	16	26	10
ME20-D6-66-2	2' RAIL 2 FRM ME COMPLETE	490	ME20-D6-66F	2	SRAIL2	15	12	12	30	20	30	10
ME20-D6-72-2	2' RAIL 2 FRM ME COMPLETE	512	ME20-D6-72F	2	SRAIL2	15	12	12	30	20	30	10

ME20-C6-54-2	2' RAIL 2 FRM ME COMPLETE	371	ME20-C6-54F	2	SRAIL2	12	12	12	24	16	24	8
ME20-C6-60-2	2' RAIL 2 FRM ME COMPLETE	401	ME20-C6-60F	2	SRAIL2	13	12	12	26	16	26	10

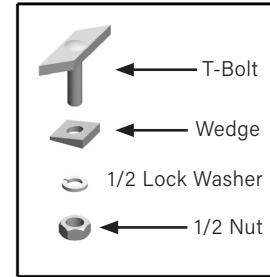
## 2 FOOT UNASSEMBLED C & D MEDIUM DUTY SLIDER BED



Frame



Rail



Hardware Bag or Box

Frame Part #	Description	WT	Wing Support		Wing		5/8 Bolt QTY	5/8 Nut QTY	T Bolt QTY	1/2 Washer QTY	1/2 Nut QTY	Wedge QTY
			Part #	QTY	Part #	QTY						
ME35-D4-18-2	2' RAIL 2 FRM ME COMPLETE	180	ME35-D4-18F	2	SRAIL2	6	12	12	12	8	12	4
ME35-D4-20-2	2' RAIL 2 FRM ME COMPLETE	184	ME35-D4-20F	2	SRAIL2	6	12	12	12	8	12	4
ME35-D4-24-2	2' RAIL 2 FRM ME COMPLETE	193	ME35-D4-24F	2	SRAIL2	6	12	12	12	8	12	4
ME35-D4-30-2	2' RAIL 2 FRM ME COMPLETE	212	ME35-D4-30F	2	SRAIL2	6	12	12	12	8	12	4
ME35-D4-36-2	2' RAIL 2 FRM ME COMPLETE	266	ME35-D4-36F	2	SRAIL2	9	12	12	18	12	18	6
ME35-D4-42-2	2' RAIL 2 FRM ME COMPLETE	288	ME35-D4-42F	2	SRAIL2	9	12	12	18	12	18	6
ME35-D4-48-2	2' RAIL 2 FRM ME COMPLETE	318	ME35-D4-48F	2	SRAIL2	10	12	12	20	12	20	8
ME35-D4-54-2	2' RAIL 2 FRM ME COMPLETE	370	ME35-D4-54F	2	SRAIL2	12	12	12	24	16	24	8
ME35-D4-60-2	2' RAIL 2 FRM ME COMPLETE	399	ME35-D4-60F	2	SRAIL2	13	12	12	26	16	26	10
ME35-D4-66-2	2' RAIL 2 FRM ME COMPLETE	442	ME35-D4-66F	2	SRAIL2	15	12	12	30	20	30	10
ME35-D4-72-2	2' RAIL 2 FRM ME COMPLETE	460	ME35-D4-72F	2	SRAIL2	15	12	12	30	20	30	10

ME35-C4-54-2	2' RAIL 2 FRM ME COMPLETE	365	ME35-C4-54F	2	SRAIL2	12	12	12	24	16	24	8
ME35-C4-60-2	2' RAIL 2 FRM ME COMPLETE	395	ME35-C4-60F	2	SRAIL2	13	12	12	26	16	26	10

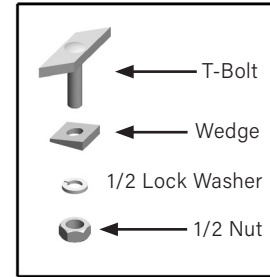
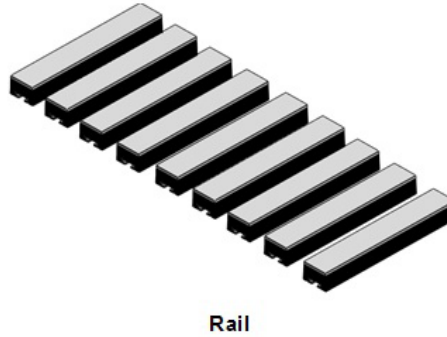
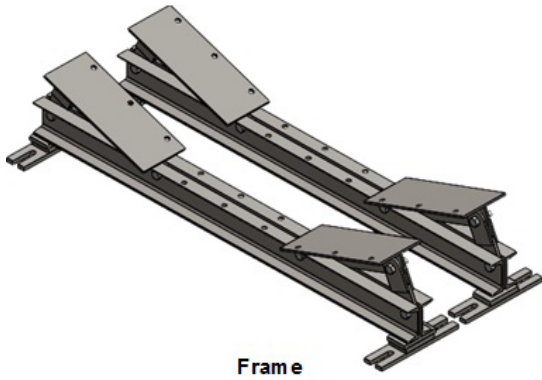
ME35-D5-18-2	2' RAIL 2 FRM ME COMPLETE	186	ME35-D5-18F	2	SRAIL2	6	12	12	12	8	12	4
ME35-D5-20-2	2' RAIL 2 FRM ME COMPLETE	190	ME35-D5-20F	2	SRAIL2	6	12	12	12	8	12	4
ME35-D5-24-2	2' RAIL 2 FRM ME COMPLETE	198	ME35-D5-24F	2	SRAIL2	6	12	12	12	8	12	4
ME35-D5-30-2	2' RAIL 2 FRM ME COMPLETE	218	ME35-D5-30F	2	SRAIL2	6	12	12	12	8	12	4
ME35-D5-36-2	2' RAIL 2 FRM ME COMPLETE	272	ME35-D5-36F	2	SRAIL2	9	12	12	18	12	18	6
ME35-D5-42-2	2' RAIL 2 FRM ME COMPLETE	294	ME35-D5-42F	2	SRAIL2	9	12	12	18	12	18	6
ME35-D5-48-2	2' RAIL 2 FRM ME COMPLETE	324	ME35-D5-48F	2	SRAIL2	10	12	12	20	12	20	8
ME35-D5-54-2	2' RAIL 2 FRM ME COMPLETE	407	ME35-D5-54F	2	SRAIL2	12	12	12	24	16	24	8
ME35-D5-60-2	2' RAIL 2 FRM ME COMPLETE	442	ME35-D5-60F	2	SRAIL2	13	12	12	26	16	26	10
ME35-D5-66-2	2' RAIL 2 FRM ME COMPLETE	490	ME35-D5-66F	2	SRAIL2	15	12	12	30	20	30	10
ME35-D5-72-2	2' RAIL 2 FRM ME COMPLETE	513	ME35-D5-72F	2	SRAIL2	15	12	12	30	20	30	10

ME35-C5-54-2	2' RAIL 2 FRM ME COMPLETE	371	ME35-C5-54F	2	SRAIL2	12	12	12	24	16	24	8
ME35-C5-60-2	2' RAIL 2 FRM ME COMPLETE	401	ME35-C5-60F	2	SRAIL2	13	12	12	26	16	26	10

ME35-D6-18-2	2' RAIL 2 FRM ME COMPLETE	192	ME35-D6-18F	2	SRAIL2	6	12	12	12	8	12	4
ME35-D6-20-2	2' RAIL 2 FRM ME COMPLETE	195	ME35-D6-20F	2	SRAIL2	6	12	12	12	8	12	4
ME35-D6-24-2	2' RAIL 2 FRM ME COMPLETE	204	ME35-D6-24F	2	SRAIL2	6	12	12	12	8	12	4
ME35-D6-30-2	2' RAIL 2 FRM ME COMPLETE	223	ME35-D6-30F	2	SRAIL2	6	12	12	12	8	12	4
ME35-D6-36-2	2' RAIL 2 FRM ME COMPLETE	277	ME35-D6-36F	2	SRAIL2	9	12	12	18	12	18	6
ME35-D6-42-2	2' RAIL 2 FRM ME COMPLETE	300	ME35-D6-42F	2	SRAIL2	9	12	12	18	12	18	6
ME35-D6-48-2	2' RAIL 2 FRM ME COMPLETE	330	ME35-D6-48F	2	SRAIL2	10	12	12	20	12	20	8
ME35-D6-54-2	2' RAIL 2 FRM ME COMPLETE	414	ME35-D6-54F	2	SRAIL2	12	12	12	24	16	24	8
ME35-D6-60-2	2' RAIL 2 FRM ME COMPLETE	449	ME35-D6-60F	2	SRAIL2	13	12	12	26	16	26	10
ME35-D6-66-2	2' RAIL 2 FRM ME COMPLETE	496	ME35-D6-66F	2	SRAIL2	15	12	12	30	20	30	10
ME35-D6-72-2	2' RAIL 2 FRM ME COMPLETE	519	ME35-D6-72F	2	SRAIL2	15	12	12	30	20	30	10

ME35-C6-54-2	2' RAIL 2 FRM ME COMPLETE	377	ME35-C6-54F	2	SRAIL2	12	12	12	24	16	24	8
ME35-C6-60-2	2' RAIL 2 FRM ME COMPLETE	407	ME35-C6-60F	2	SRAIL2	13	12	12	26	16	26	10

## 2 FOOT UNASSEMBLED C & D MEDIUM DUTY SLIDER BED



Frame Part #	Description	WT	Wing Support		Wing		5/8 Bolt QTY	5/8 Nut QTY	T Bolt QTY	1/2 Washer QTY	1/2 Nut QTY	Wedge QTY
			Part #	QTY	Part #	QTY						
ME45-D4-18-2	2' RAIL 2 FRM ME COMPLETE	182	ME45-D4-18F	2	SRAIL2	6	12	12	12	8	12	4
ME45-D4-20-2	2' RAIL 2 FRM ME COMPLETE	186	ME45-D4-20F	2	SRAIL2	6	12	12	12	8	12	4
ME45-D4-24-2	2' RAIL 2 FRM ME COMPLETE	194	ME45-D4-24F	2	SRAIL2	6	12	12	12	8	12	4
ME45-D4-30-2	2' RAIL 2 FRM ME COMPLETE	214	ME45-D4-30F	2	SRAIL2	6	12	12	12	8	12	4
ME45-D4-36-2	2' RAIL 2 FRM ME COMPLETE	268	ME45-D4-36F	2	SRAIL2	9	12	12	18	12	18	6
ME45-D4-42-2	2' RAIL 2 FRM ME COMPLETE	291	ME45-D4-42F	2	SRAIL2	9	12	12	18	12	18	6
ME45-D4-48-2	2' RAIL 2 FRM ME COMPLETE	321	ME45-D4-48F	2	SRAIL2	10	12	12	20	12	20	8
ME45-D4-54-2	2' RAIL 2 FRM ME COMPLETE	373	ME45-D4-54F	2	SRAIL2	12	12	12	24	16	24	8
ME45-D4-60-2	2' RAIL 2 FRM ME COMPLETE	403	ME45-D4-60F	2	SRAIL2	13	12	12	26	16	26	10
ME45-D4-66-2	2' RAIL 2 FRM ME COMPLETE	446	ME45-D4-66F	2	SRAIL2	15	12	12	30	20	30	10
ME45-D4-72-2	2' RAIL 2 FRM ME COMPLETE	464	ME45-D4-72F	2	SRAIL2	15	12	12	30	20	30	10

ME45-C4-54-2	2' RAIL 2 FRM ME COMPLETE	369	ME45-C4-54F	2	SRAIL2	12	12	12	24	16	24	8
ME45-C4-60-2	2' RAIL 2 FRM ME COMPLETE	399	ME45-C4-60F	2	SRAIL2	13	12	12	26	16	26	10

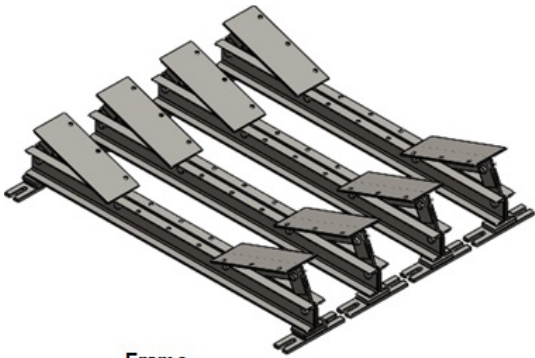
ME45-D5-18-2	2' RAIL 2 FRM ME COMPLETE	188	ME45-D5-18F	2	SRAIL2	6	12	12	12	8	12	4
ME45-D5-20-2	2' RAIL 2 FRM ME COMPLETE	191	ME45-D5-20F	2	SRAIL2	6	12	12	12	8	12	4
ME45-D5-24-2	2' RAIL 2 FRM ME COMPLETE	200	ME45-D5-24F	2	SRAIL2	6	12	12	12	8	12	4
ME45-D5-30-2	2' RAIL 2 FRM ME COMPLETE	220	ME45-D5-30F	2	SRAIL2	6	12	12	12	8	12	4
ME45-D5-36-2	2' RAIL 2 FRM ME COMPLETE	274	ME45-D5-36F	2	SRAIL2	9	12	12	18	12	18	6
ME45-D5-42-2	2' RAIL 2 FRM ME COMPLETE	297	ME45-D5-42F	2	SRAIL2	9	12	12	18	12	18	6
ME45-D5-48-2	2' RAIL 2 FRM ME COMPLETE	327	ME45-D5-48F	2	SRAIL2	10	12	12	20	12	20	8
ME45-D5-54-2	2' RAIL 2 FRM ME COMPLETE	411	ME45-D5-54F	2	SRAIL2	12	12	12	24	16	24	8
ME45-D5-60-2	2' RAIL 2 FRM ME COMPLETE	446	ME45-D5-60F	2	SRAIL2	13	12	12	26	16	26	10
ME45-D5-66-2	2' RAIL 2 FRM ME COMPLETE	494	ME45-D5-66F	2	SRAIL2	15	12	12	30	20	30	10
ME45-D5-72-2	2' RAIL 2 FRM ME COMPLETE	518	ME45-D5-72F	2	SRAIL2	15	12	12	30	20	30	10

ME45-C5-54-2	2' RAIL 2 FRM ME COMPLETE	375	ME45-C5-54F	2	SRAIL2	12	12	12	24	16	24	8
ME45-C5-60-2	2' RAIL 2 FRM ME COMPLETE	405	ME45-C5-60F	2	SRAIL2	13	12	12	26	16	26	10

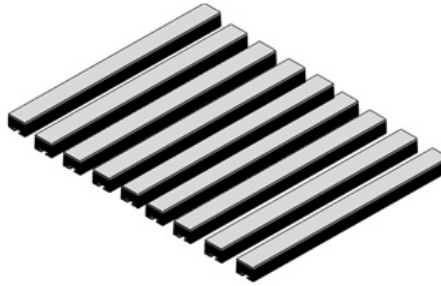
ME45-D6-18-2	2' RAIL 2 FRM ME COMPLETE	193	ME45-D6-18F	2	SRAIL2	6	12	12	12	8	12	4
ME45-D6-20-2	2' RAIL 2 FRM ME COMPLETE	197	ME45-D6-20F	2	SRAIL2	6	12	12	12	8	12	4
ME45-D6-24-2	2' RAIL 2 FRM ME COMPLETE	206	ME45-D6-24F	2	SRAIL2	6	12	12	12	8	12	4
ME45-D6-30-2	2' RAIL 2 FRM ME COMPLETE	225	ME45-D6-30F	2	SRAIL2	6	12	12	12	8	12	4
ME45-D6-36-2	2' RAIL 2 FRM ME COMPLETE	279	ME45-D6-36F	2	SRAIL2	9	12	12	18	12	18	6
ME45-D6-42-2	2' RAIL 2 FRM ME COMPLETE	303	ME45-D6-42F	2	SRAIL2	9	12	12	18	12	18	6
ME45-D6-48-2	2' RAIL 2 FRM ME COMPLETE	333	ME45-D6-48F	2	SRAIL2	10	12	12	20	12	20	8
ME45-D6-54-2	2' RAIL 2 FRM ME COMPLETE	417	ME45-D6-54F	2	SRAIL2	12	12	12	24	16	24	8
ME45-D6-60-2	2' RAIL 2 FRM ME COMPLETE	453	ME45-D6-60F	2	SRAIL2	13	12	12	26	16	26	10
ME45-D6-66-2	2' RAIL 2 FRM ME COMPLETE	500	ME45-D6-66F	2	SRAIL2	15	12	12	30	20	30	10
ME45-D6-72-2	2' RAIL 2 FRM ME COMPLETE	524	ME45-D6-72F	2	SRAIL2	15	12	12	30	20	30	10

ME45-C6-54-2	2' RAIL 2 FRM ME COMPLETE	381	ME45-C6-54F	2	SRAIL2	12	12	12	24	16	24	8
ME45-C6-60-2	2' RAIL 2 FRM ME COMPLETE	411	ME45-C6-60F	2	SRAIL2	13	12	12	26	16	26	10

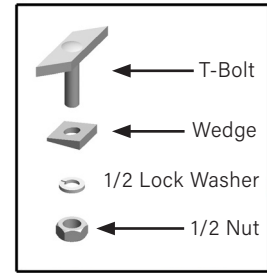
## 4 FOOT UNASSEMBLED C & D MEDIUM DUTY SLIDER BED



Frame



Rail



Hardware Bag or Box

Frame Part #	Description	WT	Wing Support		Wing		5/8 Bolt QTY	5/8 Nut QTY	T Bolt QTY	1/2 Washer QTY	1/2 Nut QTY	Wedge QTY
			Part #	QTY	Part #	QTY						
ME20-D4-18-4	4' RAIL 4 FRM ME COMPLETE	347	ME20-D4-18F	4	SRAIL4	6	16	16	24	16	24	8
ME20-D4-20-4	4' RAIL 4 FRM ME COMPLETE	355	ME20-D4-20F	4	SRAIL4	6	16	16	24	16	24	8
ME20-D4-24-4	4' RAIL 4 FRM ME COMPLETE	373	ME20-D4-24F	4	SRAIL4	6	16	16	24	16	24	8
ME20-D4-30-4	4' RAIL 4 FRM ME COMPLETE	413	ME20-D4-30F	4	SRAIL4	6	16	16	24	16	24	8
ME20-D4-36-4	4' RAIL 4 FRM ME COMPLETE	523	ME20-D4-36F	4	SRAIL4	9	16	16	36	24	36	12
ME20-D4-42-4	4' RAIL 4 FRM ME COMPLETE	568	ME20-D4-42F	4	SRAIL4	9	24	24	36	24	36	12
ME20-D4-48-4	4' RAIL 4 FRM ME COMPLETE	626	ME20-D4-48F	4	SRAIL4	10	24	24	40	24	40	16
ME20-D4-54-4	4' RAIL 4 FRM ME COMPLETE	728	ME20-D4-54F	4	SRAIL4	12	24	24	48	32	48	16
ME20-D4-60-4	4' RAIL 4 FRM ME COMPLETE	787	ME20-D4-60F	4	SRAIL4	13	24	24	52	32	52	20
ME20-D4-66-4	4' RAIL 4 FRM ME COMPLETE	870	ME20-D4-66F	4	SRAIL4	15	24	24	60	40	60	20
ME20-D4-72-4	4' RAIL 4 FRM ME COMPLETE	905	ME20-D4-72F	4	SRAIL4	15	24	24	60	40	60	20

ME20-C4-54-4	4' RAIL 4 FRM ME COMPLETE	719	ME20-C4-54F	4	SRAIL4	12	24	24	48	32	48	16
ME20-C4-60-4	4' RAIL 4 FRM ME COMPLETE	778	ME20-C4-60F	4	SRAIL4	13	24	24	52	32	52	20

ME20-D5-18-4	4' RAIL 4 FRM ME COMPLETE	358	ME20-D5-18F	4	SRAIL4	6	16	16	24	16	24	8
ME20-D5-20-4	4' RAIL 4 FRM ME COMPLETE	366	ME20-D5-20F	4	SRAIL4	6	16	16	24	16	24	8
ME20-D5-24-4	4' RAIL 4 FRM ME COMPLETE	384	ME20-D5-24F	4	SRAIL4	6	16	16	24	16	24	8
ME20-D5-30-4	4' RAIL 4 FRM ME COMPLETE	426	ME20-D5-30F	4	SRAIL4	6	16	16	24	16	24	8
ME20-D5-36-4	4' RAIL 4 FRM ME COMPLETE	536	ME20-D5-36F	4	SRAIL4	9	16	16	36	24	36	12
ME20-D5-42-4	4' RAIL 4 FRM ME COMPLETE	580	ME20-D5-42F	4	SRAIL4	9	24	24	36	24	36	12
ME20-D5-48-4	4' RAIL 4 FRM ME COMPLETE	638	ME20-D5-48F	4	SRAIL4	10	24	24	40	24	40	16
ME20-D5-54-4	4' RAIL 4 FRM ME COMPLETE	804	ME20-D5-54F	4	SRAIL4	12	24	24	48	32	48	16
ME20-D5-60-4	4' RAIL 4 FRM ME COMPLETE	873	ME20-D5-60F	4	SRAIL4	13	24	24	52	32	52	20
ME20-D5-66-4	4' RAIL 4 FRM ME COMPLETE	966	ME20-D5-66F	4	SRAIL4	15	24	24	60	40	60	20
ME20-D5-72-4	4' RAIL 4 FRM ME COMPLETE	1011	ME20-D5-72F	4	SRAIL4	15	24	24	60	40	60	20

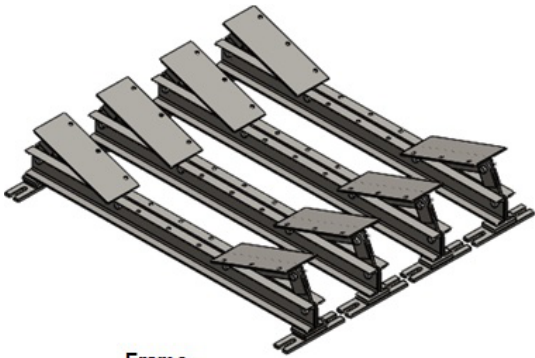
ME20-C5-54-4	4' RAIL 4 FRM ME COMPLETE	731	ME20-C5-54F	4	SRAIL4	12	24	24	48	32	48	16
ME20-C5-60-4	4' RAIL 4 FRM ME COMPLETE	789	ME20-C5-60F	4	SRAIL4	13	24	24	52	32	52	20

ME20-D6-18-4	4' RAIL 4 FRM ME COMPLETE	370	ME20-D6-18F	4	SRAIL4	6	16	16	24	16	24	8
ME20-D6-20-4	4' RAIL 4 FRM ME COMPLETE	378	ME20-D6-20F	4	SRAIL4	6	16	16	24	16	24	8
ME20-D6-24-4	4' RAIL 4 FRM ME COMPLETE	396	ME20-D6-24F	4	SRAIL4	6	16	16	24	16	24	8
ME20-D6-30-4	4' RAIL 4 FRM ME COMPLETE	436	ME20-D6-30F	4	SRAIL4	6	16	16	24	16	24	8
ME20-D6-36-4	4' RAIL 4 FRM ME COMPLETE	546	ME20-D6-36F	4	SRAIL4	9	16	16	36	24	36	12
ME20-D6-42-4	4' RAIL 4 FRM ME COMPLETE	592	ME20-D6-42F	4	SRAIL4	9	24	24	36	24	36	12
ME20-D6-48-4	4' RAIL 4 FRM ME COMPLETE	650	ME20-D6-48F	4	SRAIL4	10	24	24	40	24	40	16
ME20-D6-54-4	4' RAIL 4 FRM ME COMPLETE	817	ME20-D6-54F	4	SRAIL4	12	24	24	48	32	48	16
ME20-D6-60-4	4' RAIL 4 FRM ME COMPLETE	885	ME20-D6-60F	4	SRAIL4	13	24	24	52	32	52	20
ME20-D6-66-4	4' RAIL 4 FRM ME COMPLETE	979	ME20-D6-66F	4	SRAIL4	15	24	24	60	40	60	20
ME20-D6-72-4	4' RAIL 4 FRM ME COMPLETE	1024	ME20-D6-72F	4	SRAIL4	15	24	24	60	40	60	20

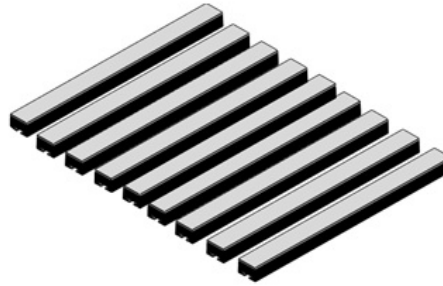
ME20-C6-54-4	4' RAIL 4 FRM ME COMPLETE	743	ME20-C6-54F	4	SRAIL4	12	24	24	48	32	48	16
ME20-C6-60-4	4' RAIL 4 FRM ME COMPLETE	801	ME20-C6-60F	4	SRAIL4	13	24	24	52	32	52	20



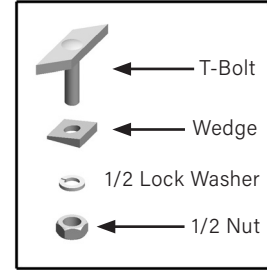
## 4 FOOT UNASSEMBLED C & D MEDIUM DUTY SLIDER BED



Frame



Rail



Hardware Bag or Box

Frame Part #	Description	WT	Wing Support		Wing		5/8 Bolt QTY	5/8 Nut QTY	T Bolt QTY	1/2 Washer QTY	1/2 Nut QTY	Wedge QTY
			Part #	QTY	Part #	QTY						
ME35-D4-18-4	4' RAIL 4 FRM ME COMPLETE	361	ME35-D4-18F	4	SRAIL4	6	24	24	24	16	24	8
ME35-D4-20-4	4' RAIL 4 FRM ME COMPLETE	368	ME35-D4-20F	4	SRAIL4	6	24	24	24	16	24	8
ME35-D4-24-4	4' RAIL 4 FRM ME COMPLETE	385	ME35-D4-24F	4	SRAIL4	6	24	24	24	16	24	8
ME35-D4-30-4	4' RAIL 4 FRM ME COMPLETE	424	ME35-D4-30F	4	SRAIL4	6	24	24	24	16	24	8
ME35-D4-36-4	4' RAIL 4 FRM ME COMPLETE	531	ME35-D4-36F	4	SRAIL4	9	24	24	36	24	36	12
ME35-D4-42-4	4' RAIL 4 FRM ME COMPLETE	576	ME35-D4-42F	4	SRAIL4	9	24	24	36	24	36	12
ME35-D4-48-4	4' RAIL 4 FRM ME COMPLETE	636	ME35-D4-48F	4	SRAIL4	10	24	24	40	24	40	16
ME35-D4-54-4	4' RAIL 4 FRM ME COMPLETE	739	ME35-D4-54F	4	SRAIL4	12	24	24	48	32	48	16
ME35-D4-60-4	4' RAIL 4 FRM ME COMPLETE	799	ME35-D4-60F	4	SRAIL4	13	24	24	52	32	52	20
ME35-D4-66-4	4' RAIL 4 FRM ME COMPLETE	884	ME35-D4-66F	4	SRAIL4	15	24	24	60	40	60	20
ME35-D4-72-4	4' RAIL 4 FRM ME COMPLETE	920	ME35-D4-72F	4	SRAIL4	15	24	24	60	40	60	20

ME35-C4-54-4	4' RAIL 4 FRM ME COMPLETE	730	ME35-C4-54F	4	SRAIL4	12	24	24	48	32	48	16
ME35-C4-60-4	4' RAIL 4 FRM ME COMPLETE	790	ME35-C4-60F	4	SRAIL4	13	24	24	52	32	52	20

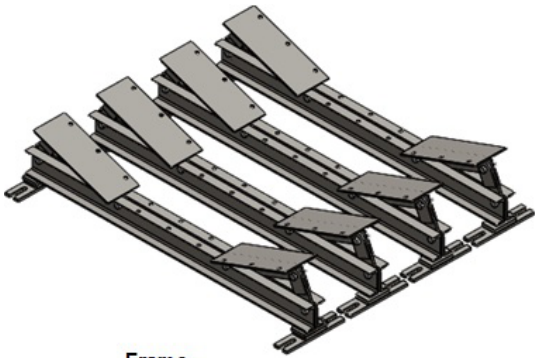
ME35-D5-18-4	4' RAIL 4 FRM ME COMPLETE	372	ME35-D5-18F	4	SRAIL4	6	24	24	24	16	24	8
ME35-D5-20-4	4' RAIL 4 FRM ME COMPLETE	379	ME35-D5-20F	4	SRAIL4	6	24	24	24	16	24	8
ME35-D5-24-4	4' RAIL 4 FRM ME COMPLETE	396	ME35-D5-24F	4	SRAIL4	6	24	24	24	16	24	8
ME35-D5-30-4	4' RAIL 4 FRM ME COMPLETE	436	ME35-D5-30F	4	SRAIL4	6	24	24	24	16	24	8
ME35-D5-36-4	4' RAIL 4 FRM ME COMPLETE	544	ME35-D5-36F	4	SRAIL4	9	24	24	36	24	36	12
ME35-D5-42-4	4' RAIL 4 FRM ME COMPLETE	588	ME35-D5-42F	4	SRAIL4	9	24	24	36	24	36	12
ME35-D5-48-4	4' RAIL 4 FRM ME COMPLETE	648	ME35-D5-48F	4	SRAIL4	10	24	24	40	24	40	16
ME35-D5-54-4	4' RAIL 4 FRM ME COMPLETE	815	ME35-D5-54F	4	SRAIL4	12	24	24	48	32	48	16
ME35-D5-60-4	4' RAIL 4 FRM ME COMPLETE	885	ME35-D5-60F	4	SRAIL4	13	24	24	52	32	52	20
ME35-D5-66-4	4' RAIL 4 FRM ME COMPLETE	979	ME35-D5-66F	4	SRAIL4	15	24	24	60	40	60	20
ME35-D5-72-4	4' RAIL 4 FRM ME COMPLETE	1,026	ME35-D5-72F	4	SRAIL4	15	24	24	60	40	60	20

ME35-C5-54-4	4' RAIL 4 FRM ME COMPLETE	742	ME35-C5-54F	4	SRAIL4	12	24	24	48	32	48	16
ME35-C5-60-4	4' RAIL 4 FRM ME COMPLETE	801	ME35-C5-60F	4	SRAIL4	13	24	24	52	32	52	20

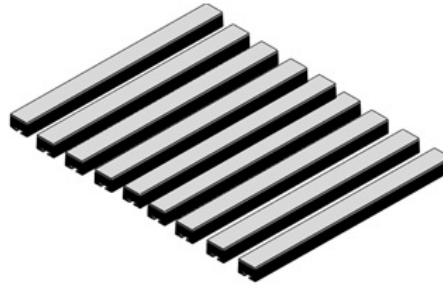
ME35-D6-18-4	4' RAIL 4 FRM ME COMPLETE	383	ME35-D6-18F	4	SRAIL4	6	24	24	24	16	24	8
ME35-D6-20-4	4' RAIL 4 FRM ME COMPLETE	391	ME35-D6-20F	4	SRAIL4	6	24	24	24	16	24	8
ME35-D6-24-4	4' RAIL 4 FRM ME COMPLETE	408	ME35-D6-24F	4	SRAIL4	6	24	24	24	16	24	8
ME35-D6-30-4	4' RAIL 4 FRM ME COMPLETE	446	ME35-D6-30F	4	SRAIL4	6	24	24	24	16	24	8
ME35-D6-36-4	4' RAIL 4 FRM ME COMPLETE	554	ME35-D6-36F	4	SRAIL4	9	24	24	36	24	36	12
ME35-D6-42-4	4' RAIL 4 FRM ME COMPLETE	600	ME35-D6-42F	4	SRAIL4	9	24	24	36	24	36	12
ME35-D6-48-4	4' RAIL 4 FRM ME COMPLETE	660	ME35-D6-48F	4	SRAIL4	10	24	24	40	24	40	16
ME35-D6-54-4	4' RAIL 4 FRM ME COMPLETE	828	ME35-D6-54F	4	SRAIL4	12	24	24	48	32	48	16
ME35-D6-60-4	4' RAIL 4 FRM ME COMPLETE	897	ME35-D6-60F	4	SRAIL4	13	24	24	52	32	52	20
ME35-D6-66-4	4' RAIL 4 FRM ME COMPLETE	992	ME35-D6-66F	4	SRAIL4	15	24	24	60	40	60	20
ME35-D6-72-4	4' RAIL 4 FRM ME COMPLETE	1,039	ME35-D6-72F	4	SRAIL4	15	24	24	60	40	60	20

ME35-C6-54-4	4' RAIL 4 FRM ME COMPLETE	754	ME35-C6-54F	4	SRAIL4	12	24	24	48	32	48	16
ME35-C6-60-4	4' RAIL 4 FRM ME COMPLETE	813	ME35-C6-60F	4	SRAIL4	13	24	24	52	32	52	20

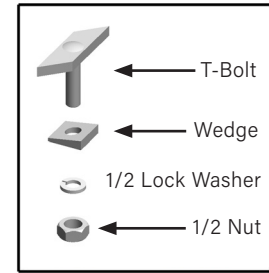
## 4 FOOT UNASSEMBLED C & D MEDIUM DUTY SLIDER BED



Frame



Rail



Hardware Bag or Box

Frame Part #	Description	WT	Wing Support		Wing		5/8 Bolt QTY	5/8 Nut QTY	T Bolt QTY	1/2 Washer QTY	1/2 Nut QTY	Wedge QTY
			Part #	QTY	Part #	QTY						
ME45-D4-18-4	4' RAIL 4 FRM ME COMPLETE	364	ME45-D4-18F	4	SRAIL4	6	24	24	24	16	24	8
ME45-D4-20-4	4' RAIL 4 FRM ME COMPLETE	372	ME45-D4-20F	4	SRAIL4	6	24	24	24	16	24	8
ME45-D4-24-4	4' RAIL 4 FRM ME COMPLETE	389	ME45-D4-24F	4	SRAIL4	6	24	24	24	16	24	8
ME45-D4-30-4	4' RAIL 4 FRM ME COMPLETE	428	ME45-D4-30F	4	SRAIL4	6	24	24	24	16	24	8
ME45-D4-36-4	4' RAIL 4 FRM ME COMPLETE	536	ME45-D4-36F	4	SRAIL4	9	24	24	36	24	36	12
ME45-D4-42-4	4' RAIL 4 FRM ME COMPLETE	582	ME45-D4-42F	4	SRAIL4	9	24	24	36	24	36	12
ME45-D4-48-4	4' RAIL 4 FRM ME COMPLETE	642	ME45-D4-48F	4	SRAIL4	10	24	24	40	24	40	16
ME45-D4-54-4	4' RAIL 4 FRM ME COMPLETE	747	ME45-D4-54F	4	SRAIL4	12	24	24	48	32	48	16
ME45-D4-60-4	4' RAIL 4 FRM ME COMPLETE	807	ME45-D4-60F	4	SRAIL4	13	24	24	52	32	52	20
ME45-D4-66-4	4' RAIL 4 FRM ME COMPLETE	892	ME45-D4-66F	4	SRAIL4	15	24	24	60	40	60	20
ME45-D4-72-4	4' RAIL 4 FRM ME COMPLETE	929	ME45-D4-72F	4	SRAIL4	15	24	24	60	40	60	20

ME45-C4-54-4	4' RAIL 4 FRM ME COMPLETE	737	ME45-C4-54F	4	SRAIL4	12	24	24	48	32	48	16
ME45-C4-60-4	4' RAIL 4 FRM ME COMPLETE	798	ME45-C4-60F	4	SRAIL4	13	24	24	52	32	52	20

ME45-D5-18-4	4' RAIL 4 FRM ME COMPLETE	375	ME45-D5-18F	4	SRAIL4	6	24	24	24	16	24	8
ME45-D5-20-4	4' RAIL 4 FRM ME COMPLETE	383	ME45-D5-20F	4	SRAIL4	6	24	24	24	16	24	8
ME45-D5-24-4	4' RAIL 4 FRM ME COMPLETE	400	ME45-D5-24F	4	SRAIL4	6	24	24	24	16	24	8
ME45-D5-30-4	4' RAIL 4 FRM ME COMPLETE	441	ME45-D5-30F	4	SRAIL4	6	24	24	24	16	24	8
ME45-D5-36-4	4' RAIL 4 FRM ME COMPLETE	549	ME45-D5-36F	4	SRAIL4	9	24	24	36	24	36	12
ME45-D5-42-4	4' RAIL 4 FRM ME COMPLETE	594	ME45-D5-42F	4	SRAIL4	9	24	24	36	24	36	12
ME45-D5-48-4	4' RAIL 4 FRM ME COMPLETE	654	ME45-D5-48F	4	SRAIL4	10	24	24	40	24	40	16
ME45-D5-54-4	4' RAIL 4 FRM ME COMPLETE	822	ME45-D5-54F	4	SRAIL4	12	24	24	48	32	48	16
ME45-D5-60-4	4' RAIL 4 FRM ME COMPLETE	892	ME45-D5-60F	4	SRAIL4	13	24	24	52	32	52	20
ME45-D5-66-4	4' RAIL 4 FRM ME COMPLETE	988	ME45-D5-66F	4	SRAIL4	15	24	24	60	40	60	20
ME45-D5-72-4	4' RAIL 4 FRM ME COMPLETE	1035	ME45-D5-72F	4	SRAIL4	15	24	24	60	40	60	20

ME45-C5-54-4	4' RAIL 4 FRM ME COMPLETE	749	ME45-C5-54F	4	SRAIL4	12	24	24	48	32	48	16
ME45-C5-60-4	4' RAIL 4 FRM ME COMPLETE	809	ME45-C5-60F	4	SRAIL4	13	24	24	52	32	52	20

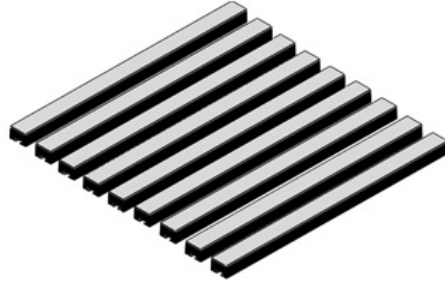
ME45-D6-18-4	4' RAIL 4 FRM ME COMPLETE	387	ME45-D6-18F	4	SRAIL4	6	24	24	24	16	24	8
ME45-D6-20-4	4' RAIL 4 FRM ME COMPLETE	394	ME45-D6-20F	4	SRAIL4	6	24	24	24	16	24	8
ME45-D6-24-4	4' RAIL 4 FRM ME COMPLETE	411	ME45-D6-24F	4	SRAIL4	6	24	24	24	16	24	8
ME45-D6-30-4	4' RAIL 4 FRM ME COMPLETE	450	ME45-D6-30F	4	SRAIL4	6	24	24	24	16	24	8
ME45-D6-36-4	4' RAIL 4 FRM ME COMPLETE	559	ME45-D6-36F	4	SRAIL4	9	24	24	36	24	36	12
ME45-D6-42-4	4' RAIL 4 FRM ME COMPLETE	606	ME45-D6-42F	4	SRAIL4	9	24	24	36	24	36	12
ME45-D6-48-4	4' RAIL 4 FRM ME COMPLETE	666	ME45-D6-48F	4	SRAIL4	10	24	24	40	24	40	16
ME45-D6-54-4	4' RAIL 4 FRM ME COMPLETE	835	ME45-D6-54F	4	SRAIL4	12	24	24	48	32	48	16
ME45-D6-60-4	4' RAIL 4 FRM ME COMPLETE	905	ME45-D6-60F	4	SRAIL4	13	24	24	52	32	52	20
ME45-D6-66-4	4' RAIL 4 FRM ME COMPLETE	1001	ME45-D6-66F	4	SRAIL4	15	24	24	60	40	60	20
ME45-D6-72-4	4' RAIL 4 FRM ME COMPLETE	1048	ME45-D6-72F	4	SRAIL4	15	24	24	60	40	60	20

ME45-C6-54-4	4' RAIL 4 FRM ME COMPLETE	761	ME45-C6-54F	4	SRAIL4	12	24	24	48	32	48	16
ME45-C6-60-4	4' RAIL 4 FRM ME COMPLETE	821	ME45-C6-60F	4	SRAIL4	13	24	24	52	32	52	20

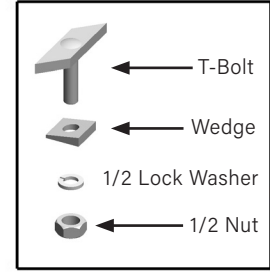
## 5 FOOT UNASSEMBLED C & D MEDIUM DUTY SLIDER BED



Frame



Rail



Hardware Bag or Box

Frame Part #	Description	WT	Wing Support		Wing		5/8 Bolt QTY	5/8 Nut QTY	T Bolt QTY	1/2 Washer QTY	1/2 Nut QTY	Wedge QTY
			Part #	QTY	Part #	QTY						
ME20-D4-18-5	5' RAIL 5 FRM ME COMPLETE	434	ME20-D4-18F	5	SRAIL5	6	20	20	30	20	30	10
ME20-D4-20-5	5' RAIL 5 FRM ME COMPLETE	444	ME20-D4-20F	5	SRAIL5	6	20	20	30	20	30	10
ME20-D4-24-5	5' RAIL 5 FRM ME COMPLETE	466	ME20-D4-24F	5	SRAIL5	6	20	20	30	20	30	10
ME20-D4-30-5	5' RAIL 5 FRM ME COMPLETE	516	ME20-D4-30F	5	SRAIL5	6	20	20	30	20	30	10
ME20-D4-36-5	5' RAIL 5 FRM ME COMPLETE	654	ME20-D4-36F	5	SRAIL5	9	20	20	45	30	45	15
ME20-D4-42-5	5' RAIL 5 FRM ME COMPLETE	710	ME20-D4-42F	5	SRAIL5	9	30	30	45	30	45	15
ME20-D4-48-5	5' RAIL 5 FRM ME COMPLETE	783	ME20-D4-48F	5	SRAIL5	10	30	30	50	30	50	20
ME20-D4-54-5	5' RAIL 5 FRM ME COMPLETE	911	ME20-D4-54F	5	SRAIL5	12	30	30	60	40	60	20
ME20-D4-60-5	5' RAIL 5 FRM ME COMPLETE	984	ME20-D4-60F	5	SRAIL5	13	30	30	65	40	65	25
ME20-D4-66-5	5' RAIL 5 FRM ME COMPLETE	1088	ME20-D4-66F	5	SRAIL5	15	30	30	75	50	75	25
ME20-D4-72-5	5' RAIL 5 FRM ME COMPLETE	1132	ME20-D4-72F	5	SRAIL5	15	30	30	75	50	75	25

ME20-C4-54-5	5' RAIL 5 FRM ME COMPLETE	899	ME20-C4-54F	5	SRAIL5	12	30	30	60	40	60	20
ME20-C4-60-5	5' RAIL 5 FRM ME COMPLETE	972	ME20-C4-60F	5	SRAIL5	13	30	30	65	40	65	25

ME20-D5-18-5	5' RAIL 5 FRM ME COMPLETE	448	ME20-D5-18F	5	SRAIL5	6	20	20	30	20	30	10
ME20-D5-20-5	5' RAIL 5 FRM ME COMPLETE	458	ME20-D5-20F	5	SRAIL5	6	20	20	30	20	30	10
ME20-D5-24-5	5' RAIL 5 FRM ME COMPLETE	480	ME20-D5-24F	5	SRAIL5	6	20	20	30	20	30	10
ME20-D5-30-5	5' RAIL 5 FRM ME COMPLETE	532	ME20-D5-30F	5	SRAIL5	6	20	20	30	20	30	10
ME20-D5-36-5	5' RAIL 5 FRM ME COMPLETE	670	ME20-D5-36F	5	SRAIL5	9	20	20	45	30	45	15
ME20-D5-42-5	5' RAIL 5 FRM ME COMPLETE	725	ME20-D5-42F	5	SRAIL5	9	30	30	45	30	45	15
ME20-D5-48-5	5' RAIL 5 FRM ME COMPLETE	797	ME20-D5-48F	5	SRAIL5	10	30	30	50	30	50	20
ME20-D5-54-5	5' RAIL 5 FRM ME COMPLETE	1005	ME20-D5-54F	5	SRAIL5	12	30	30	60	40	60	20
ME20-D5-60-5	5' RAIL 5 FRM ME COMPLETE	1091	ME20-D5-60F	5	SRAIL5	13	30	30	65	40	65	25
ME20-D5-66-5	5' RAIL 5 FRM ME COMPLETE	1208	ME20-D5-66F	5	SRAIL5	15	30	30	75	50	75	25
ME20-D5-72-5	5' RAIL 5 FRM ME COMPLETE	1264	ME20-D5-72F	5	SRAIL5	15	30	30	75	50	75	25

ME20-C5-54-5	5' RAIL 5 FRM ME COMPLETE	914	ME20-C5-54F	5	SRAIL5	12	30	30	60	40	60	20
ME20-C5-60-5	5' RAIL 5 FRM ME COMPLETE	987	ME20-C5-60F	5	SRAIL5	13	30	30	65	40	65	25

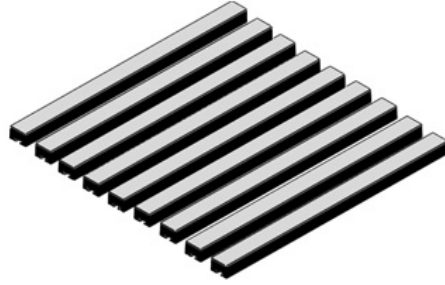
ME20-D6-18-5	5' RAIL 5 FRM ME COMPLETE	463	ME20-D6-18F	5	SRAIL5	6	20	20	30	20	30	10
ME20-D6-20-5	5' RAIL 5 FRM ME COMPLETE	473	ME20-D6-20F	5	SRAIL5	6	20	20	30	20	30	10
ME20-D6-24-5	5' RAIL 5 FRM ME COMPLETE	495	ME20-D6-24F	5	SRAIL5	6	20	20	30	20	30	10
ME20-D6-30-5	5' RAIL 5 FRM ME COMPLETE	545	ME20-D6-30F	5	SRAIL5	6	20	20	30	20	30	10
ME20-D6-36-5	5' RAIL 5 FRM ME COMPLETE	682	ME20-D6-36F	5	SRAIL5	9	20	20	45	30	45	15
ME20-D6-42-5	5' RAIL 5 FRM ME COMPLETE	740	ME20-D6-42F	5	SRAIL5	9	30	30	45	30	45	15
ME20-D6-48-5	5' RAIL 5 FRM ME COMPLETE	812	ME20-D6-48F	5	SRAIL5	10	30	30	50	30	50	20
ME20-D6-54-5	5' RAIL 5 FRM ME COMPLETE	1021	ME20-D6-54F	5	SRAIL5	12	30	30	60	40	60	20
ME20-D6-60-5	5' RAIL 5 FRM ME COMPLETE	1107	ME20-D6-60F	5	SRAIL5	13	30	30	65	40	65	25
ME20-D6-66-5	5' RAIL 5 FRM ME COMPLETE	1224	ME20-D6-66F	5	SRAIL5	15	30	30	75	50	75	25
ME20-D6-72-5	5' RAIL 5 FRM ME COMPLETE	1280	ME20-D6-72F	5	SRAIL5	15	30	30	75	50	75	25

ME20-C6-54-5	5' RAIL 5 FRM ME COMPLETE	929	ME20-C6-54F	5	SRAIL5	12	30	30	60	40	60	20
ME20-C6-60-5	5' RAIL 5 FRM ME COMPLETE	1002	ME20-C6-60F	5	SRAIL5	13	30	30	65	40	65	25

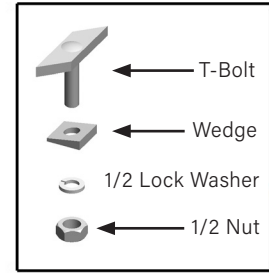
## 5 FOOT UNASSEMBLED C & D MEDIUM DUTY SLIDER BED



Frame



Rail



Hardware Bag or Box

Frame Part #	Description	WT	Wing Support		Wing		5/8 Bolt QTY	5/8 Nut QTY	T Bolt QTY	1/2 Washer QTY	1/2 Nut QTY	Wedge QTY
			Part #	QTY	Part #	QTY						
ME35-D4-18-5	5' RAIL 5 FRM ME COMPLETE	451	ME35-D4-18F	5	SRAIL5	6	30	30	30	20	30	10
ME35-D4-20-5	5' RAIL 5 FRM ME COMPLETE	460	ME35-D4-20F	5	SRAIL5	6	30	30	30	20	30	10
ME35-D4-24-5	5' RAIL 5 FRM ME COMPLETE	482	ME35-D4-24F	5	SRAIL5	6	30	30	30	20	30	10
ME35-D4-30-5	5' RAIL 5 FRM ME COMPLETE	529	ME35-D4-30F	5	SRAIL5	6	30	30	30	20	30	10
ME35-D4-36-5	5' RAIL 5 FRM ME COMPLETE	664	ME35-D4-36F	5	SRAIL5	9	30	30	45	30	45	15
ME35-D4-42-5	5' RAIL 5 FRM ME COMPLETE	721	ME35-D4-42F	5	SRAIL5	9	30	30	45	30	45	15
ME35-D4-48-5	5' RAIL 5 FRM ME COMPLETE	795	ME35-D4-48F	5	SRAIL5	10	30	30	50	30	50	20
ME35-D4-54-5	5' RAIL 5 FRM ME COMPLETE	924	ME35-D4-54F	5	SRAIL5	12	30	30	60	40	60	20
ME35-D4-60-5	5' RAIL 5 FRM ME COMPLETE	999	ME35-D4-60F	5	SRAIL5	13	30	30	65	40	65	25
ME35-D4-66-5	5' RAIL 5 FRM ME COMPLETE	1104	ME35-D4-66F	5	SRAIL5	15	30	30	75	50	75	25
ME35-D4-72-5	5' RAIL 5 FRM ME COMPLETE	1150	ME35-D4-72F	5	SRAIL5	15	30	30	75	50	75	25

ME35-C4-54-5	5' RAIL 5 FRM ME COMPLETE	913	ME35-C4-54F	5	SRAIL5	12	30	30	60	40	60	20
ME35-C4-60-5	5' RAIL 5 FRM ME COMPLETE	987	ME35-C4-60F	5	SRAIL5	13	30	30	65	40	65	25

ME35-D5-18-5	5' RAIL 5 FRM ME COMPLETE	465	ME35-D5-18F	5	SRAIL5	6	30	30	30	20	30	10
ME35-D5-20-5	5' RAIL 5 FRM ME COMPLETE	474	ME35-D5-20F	5	SRAIL5	6	30	30	30	20	30	10
ME35-D5-24-5	5' RAIL 5 FRM ME COMPLETE	495	ME35-D5-24F	5	SRAIL5	6	30	30	30	20	30	10
ME35-D5-30-5	5' RAIL 5 FRM ME COMPLETE	545	ME35-D5-30F	5	SRAIL5	6	30	30	30	20	30	10
ME35-D5-36-5	5' RAIL 5 FRM ME COMPLETE	680	ME35-D5-36F	5	SRAIL5	9	30	30	45	30	45	15
ME35-D5-42-5	5' RAIL 5 FRM ME COMPLETE	735	ME35-D5-42F	5	SRAIL5	9	30	30	45	30	45	15
ME35-D5-48-5	5' RAIL 5 FRM ME COMPLETE	809	ME35-D5-48F	5	SRAIL5	10	30	30	50	30	50	20
ME35-D5-54-5	5' RAIL 5 FRM ME COMPLETE	1019	ME35-D5-54F	5	SRAIL5	12	30	30	60	40	60	20
ME35-D5-60-5	5' RAIL 5 FRM ME COMPLETE	1106	ME35-D5-60F	5	SRAIL5	13	30	30	65	40	65	25
ME35-D5-66-5	5' RAIL 5 FRM ME COMPLETE	1224	ME35-D5-66F	5	SRAIL5	15	30	30	75	50	75	25
ME35-D5-72-5	5' RAIL 5 FRM ME COMPLETE	1282	ME35-D5-72F	5	SRAIL5	15	30	30	75	50	75	25

ME35-C5-54-5	5' RAIL 5 FRM ME COMPLETE	927	ME35-C5-54F	5	SRAIL5	12	30	30	60	40	60	20
ME35-C5-60-5	5' RAIL 5 FRM ME COMPLETE	1002	ME35-C5-60F	5	SRAIL5	13	30	30	65	40	65	25

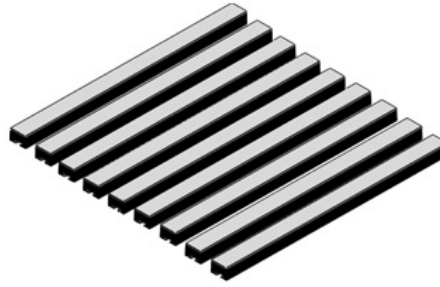
ME35-D6-18-5	5' RAIL 5 FRM ME COMPLETE	479	ME35-D6-18F	5	SRAIL5	6	30	30	30	20	30	10
ME35-D6-20-5	5' RAIL 5 FRM ME COMPLETE	489	ME35-D6-20F	5	SRAIL5	6	30	30	30	20	30	10
ME35-D6-24-5	5' RAIL 5 FRM ME COMPLETE	510	ME35-D6-24F	5	SRAIL5	6	30	30	30	20	30	10
ME35-D6-30-5	5' RAIL 5 FRM ME COMPLETE	558	ME35-D6-30F	5	SRAIL5	6	30	30	30	20	30	10
ME35-D6-36-5	5' RAIL 5 FRM ME COMPLETE	692	ME35-D6-36F	5	SRAIL5	9	20	30	45	30	45	15
ME35-D6-42-5	5' RAIL 5 FRM ME COMPLETE	750	ME35-D6-42F	5	SRAIL5	9	30	30	45	30	45	15
ME35-D6-48-5	5' RAIL 5 FRM ME COMPLETE	824	ME35-D6-48F	5	SRAIL5	10	30	30	50	30	50	20
ME35-D6-54-5	5' RAIL 5 FRM ME COMPLETE	1035	ME35-D6-54F	5	SRAIL5	12	30	30	60	40	60	20
ME35-D6-60-5	5' RAIL 5 FRM ME COMPLETE	1122	ME35-D6-60F	5	SRAIL5	13	30	30	65	40	65	25
ME35-D6-66-5	5' RAIL 5 FRM ME COMPLETE	1240	ME35-D6-66F	5	SRAIL5	15	30	30	75	50	75	25
ME35-D6-72-5	5' RAIL 5 FRM ME COMPLETE	1298	ME35-D6-72F	5	SRAIL5	15	30	30	75	50	75	25

ME35-C6-54-5	5' RAIL 5 FRM ME COMPLETE	942	ME35-C6-54F	5	SRAIL5	12	30	30	60	40	60	20
ME35-C6-60-5	5' RAIL 5 FRM ME COMPLETE	1017	ME35-C6-60F	5	SRAIL5	13	30	30	65	40	65	25

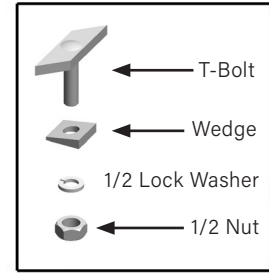
## 5 FOOT UNASSEMBLED C & D MEDIUM DUTY SLIDER BED



Frame



Rail



Hardware Bag or Box

Frame Part #	Description	WT	Wing Support		Wing		5/8 Bolt QTY	5/8 Nut QTY	T Bolt QTY	1/2 Washer QTY	1/2 Nut QTY	Wedge QTY
			Part #	QTY	Part #	QTY						
ME45-D4-18-5	5' RAIL 5 FRM ME COMPLETE	455	ME45-D4-18F	5	SRAIL5	6	30	30	30	20	30	10
ME45-D4-20-5	5' RAIL 5 FRM ME COMPLETE	465	ME45-D4-20F	5	SRAIL5	6	30	30	30	20	30	10
ME45-D4-24-5	5' RAIL 5 FRM ME COMPLETE	486	ME45-D4-24F	5	SRAIL5	6	30	30	30	20	30	10
ME45-D4-30-5	5' RAIL 5 FRM ME COMPLETE	535	ME45-D4-30F	5	SRAIL5	6	30	30	30	20	30	10
ME45-D4-36-5	5' RAIL 5 FRM ME COMPLETE	670	ME45-D4-36F	5	SRAIL5	9	30	30	45	30	45	15
ME45-D4-42-5	5' RAIL 5 FRM ME COMPLETE	728	ME45-D4-42F	5	SRAIL5	9	30	30	45	30	45	15
ME45-D4-48-5	5' RAIL 5 FRM ME COMPLETE	803	ME45-D4-48F	5	SRAIL5	10	30	30	50	30	50	20
ME45-D4-54-5	5' RAIL 5 FRM ME COMPLETE	933	ME45-D4-54F	5	SRAIL5	12	30	30	60	40	60	20
ME45-D4-60-5	5' RAIL 5 FRM ME COMPLETE	1008	ME45-D4-60F	5	SRAIL5	13	30	30	65	40	65	25
ME45-D4-66-5	5' RAIL 5 FRM ME COMPLETE	1115	ME45-D4-66F	5	SRAIL5	15	30	30	75	50	75	25
ME45-D4-72-5	5' RAIL 5 FRM ME COMPLETE	1161	ME45-D4-72F	5	SRAIL5	15	30	30	75	50	75	25
ME45-C4-54-5	5' RAIL 5 FRM ME COMPLETE	922	ME45-C4-54F	5	SRAIL5	12	30	30	60	40	60	20
ME45-C4-60-5	5' RAIL 5 FRM ME COMPLETE	997	ME45-C4-60F	5	SRAIL5	13	30	30	65	40	65	25
ME45-D5-18-5	5' RAIL 5 FRM ME COMPLETE	469	ME45-D5-18F	5	SRAIL5	6	30	30	30	20	30	10
ME45-D5-20-5	5' RAIL 5 FRM ME COMPLETE	478	ME45-D5-20F	5	SRAIL5	6	30	30	30	20	30	10
ME45-D5-24-5	5' RAIL 5 FRM ME COMPLETE	500	ME45-D5-24F	5	SRAIL5	6	30	30	30	20	30	10
ME45-D5-30-5	5' RAIL 5 FRM ME COMPLETE	551	ME45-D5-30F	5	SRAIL5	6	30	30	30	20	30	10
ME45-D5-36-5	5' RAIL 5 FRM ME COMPLETE	686	ME45-D5-36F	5	SRAIL5	9	30	30	45	30	45	15
ME45-D5-42-5	5' RAIL 5 FRM ME COMPLETE	742	ME45-D5-42F	5	SRAIL5	9	30	30	45	30	45	15
ME45-D5-48-5	5' RAIL 5 FRM ME COMPLETE	818	ME45-D5-48F	5	SRAIL5	10	30	30	50	30	50	20
ME45-D5-54-5	5' RAIL 5 FRM ME COMPLETE	1028	ME45-D5-54F	5	SRAIL5	12	30	30	60	40	60	20
ME45-D5-60-5	5' RAIL 5 FRM ME COMPLETE	1115	ME45-D5-60F	5	SRAIL5	13	30	30	65	40	65	25
ME45-D5-66-5	5' RAIL 5 FRM ME COMPLETE	1235	ME45-D5-66F	5	SRAIL5	15	30	30	75	50	75	25
ME45-D5-72-5	5' RAIL 5 FRM ME COMPLETE	1294	ME45-D5-72F	5	SRAIL5	15	30	30	75	50	75	25
ME45-C5-54-5	5' RAIL 5 FRM ME COMPLETE	936	ME45-C5-54F	5	SRAIL5	12	30	30	60	40	60	20
ME45-C5-60-5	5' RAIL 5 FRM ME COMPLETE	1012	ME45-C5-60F	5	SRAIL5	13	30	30	65	40	65	25
ME45-D6-18-5	5' RAIL 5 FRM ME COMPLETE	484	ME45-D6-18F	5	SRAIL5	6	30	30	30	20	30	10
ME45-D6-20-5	5' RAIL 5 FRM ME COMPLETE	493	ME45-D6-20F	5	SRAIL5	6	30	30	30	20	30	10
ME45-D6-24-5	5' RAIL 5 FRM ME COMPLETE	514	ME45-D6-24F	5	SRAIL5	6	30	30	30	20	30	10
ME45-D6-30-5	5' RAIL 5 FRM ME COMPLETE	563	ME45-D6-30F	5	SRAIL5	6	30	30	30	20	30	10
ME45-D6-36-5	5' RAIL 5 FRM ME COMPLETE	698	ME45-D6-36F	5	SRAIL5	9	30	30	45	30	45	15
ME45-D6-42-5	5' RAIL 5 FRM ME COMPLETE	757	ME45-D6-42F	5	SRAIL5	9	30	30	45	30	45	15
ME45-D6-48-5	5' RAIL 5 FRM ME COMPLETE	833	ME45-D6-48F	5	SRAIL5	10	30	30	50	30	50	20
ME45-D6-54-5	5' RAIL 5 FRM ME COMPLETE	1044	ME45-D6-54F	5	SRAIL5	12	30	30	60	40	60	20
ME45-D6-60-5	5' RAIL 5 FRM ME COMPLETE	1131	ME45-D6-60F	5	SRAIL5	13	30	30	65	40	65	25
ME45-D6-66-5	5' RAIL 5 FRM ME COMPLETE	1251	ME45-D6-66F	5	SRAIL5	15	30	30	75	50	75	25
ME45-D6-72-5	5' RAIL 5 FRM ME COMPLETE	1310	ME45-D6-72F	5	SRAIL5	15	30	30	75	50	75	25
ME45-C6-54-5	5' RAIL 5 FRM ME COMPLETE	951	ME45-C6-54F	5	SRAIL5	12	30	30	60	40	60	20
ME45-C6-60-5	5' RAIL 5 FRM ME COMPLETE	1027	ME45-C6-60F	5	SRAIL5	13	30	30	65	40	65	25

## 2 FOOT ASSEMBLED C & D MEDIUM DUTY SLIDER BED



Frame Part #	Description	WT	Wing Support		Wing		5/8 Bolt QTY	5/8 Nut QTY	T Bolt QTY	1/2 Washer QTY	1/2 Nut QTY	Wedge QTY
			Part #	QTY	Part #	QTY						
ME20-D4-18-2A	2' RAIL 2 FRM ME ASSEMBLED	174	ME20-D4-18F	2	SRAIL2	6	8	8	12	8	12	4
ME20-D4-20-2A	2' RAIL 2 FRM ME ASSEMBLED	178	ME20-D4-20F	2	SRAIL2	6	8	8	12	8	12	4
ME20-D4-24-2A	2' RAIL 2 FRM ME ASSEMBLED	187	ME20-D4-24F	2	SRAIL2	6	8	8	12	8	12	4
ME20-D4-30-2A	2' RAIL 2 FRM ME ASSEMBLED	207	ME20-D4-30F	2	SRAIL2	6	8	8	12	8	12	4
ME20-D4-36-2A	2' RAIL 2 FRM ME ASSEMBLED	261	ME20-D4-36F	2	SRAIL2	9	8	8	18	12	18	6
ME20-D4-42-2A	2' RAIL 2 FRM ME ASSEMBLED	284	ME20-D4-42F	2	SRAIL2	9	12	12	18	12	18	6
ME20-D4-48-2A	2' RAIL 2 FRM ME ASSEMBLED	313	ME20-D4-48F	2	SRAIL2	10	12	12	20	12	20	8
ME20-D4-54-2A	2' RAIL 2 FRM ME ASSEMBLED	364	ME20-D4-54F	2	SRAIL2	12	12	12	24	16	24	8
ME20-D4-60-2A	2' RAIL 2 FRM ME ASSEMBLED	393	ME20-D4-60F	2	SRAIL2	13	12	12	26	16	26	10
ME20-D4-66-2A	2' RAIL 2 FRM ME ASSEMBLED	435	ME20-D4-66F	2	SRAIL2	15	12	12	30	20	30	10
ME20-D4-72-2A	2' RAIL 2 FRM ME ASSEMBLED	453	ME20-D4-72F	2	SRAIL2	15	12	12	30	20	30	10
ME20-C4-54-2A	2' RAIL 2 FRM ME ASSEMBLED	360	ME20-C4-54F	2	SRAIL2	12	12	12	24	16	24	8
ME20-C4-60-2A	2' RAIL 2 FRM ME ASSEMBLED	389	ME20-C4-60F	2	SRAIL2	13	12	12	26	16	26	10
ME20-D5-18-2A	2' RAIL 2 FRM ME ASSEMBLED	179	ME20-D5-18F	2	SRAIL2	6	8	8	12	8	12	4
ME20-D5-20-2A	2' RAIL 2 FRM ME ASSEMBLED	183	ME20-D5-20F	2	SRAIL2	6	8	8	12	8	12	4
ME20-D5-24-2A	2' RAIL 2 FRM ME ASSEMBLED	192	ME20-D5-24F	2	SRAIL2	6	8	8	12	8	12	4
ME20-D5-30-2A	2' RAIL 2 FRM ME ASSEMBLED	213	ME20-D5-30F	2	SRAIL2	6	8	8	12	8	12	4
ME20-D5-36-2A	2' RAIL 2 FRM ME ASSEMBLED	268	ME20-D5-36F	2	SRAIL2	9	8	8	18	12	18	6
ME20-D5-42-2A	2' RAIL 2 FRM ME ASSEMBLED	290	ME20-D5-42F	2	SRAIL2	9	12	12	18	12	18	6
ME20-D5-48-2A	2' RAIL 2 FRM ME ASSEMBLED	319	ME20-D5-48F	2	SRAIL2	10	12	12	20	12	20	8
ME20-D5-54-2A	2' RAIL 2 FRM ME ASSEMBLED	402	ME20-D5-54F	2	SRAIL2	12	12	12	24	16	24	8
ME20-D5-60-2A	2' RAIL 2 FRM ME ASSEMBLED	436	ME20-D5-60F	2	SRAIL2	13	12	12	26	16	26	10
ME20-D5-66-2A	2' RAIL 2 FRM ME ASSEMBLED	483	ME20-D5-66F	2	SRAIL2	15	12	12	30	20	30	10
ME20-D5-72-2A	2' RAIL 2 FRM ME ASSEMBLED	506	ME20-D5-72F	2	SRAIL2	15	12	12	30	20	30	10
ME20-C5-54-2A	2' RAIL 2 FRM ME ASSEMBLED	365	ME20-C5-54F	2	SRAIL2	12	12	12	24	16	24	8
ME20-C5-60-2A	2' RAIL 2 FRM ME ASSEMBLED	395	ME20-C5-60F	2	SRAIL2	13	12	12	26	16	26	10
ME20-D6-18-2A	2' RAIL 2 FRM ME ASSEMBLED	185	ME20-D6-18F	2	SRAIL2	6	8	8	12	8	12	4
ME20-D6-20-2A	2' RAIL 2 FRM ME ASSEMBLED	189	ME20-D6-20F	2	SRAIL2	6	8	8	12	8	12	4
ME20-D6-24-2A	2' RAIL 2 FRM ME ASSEMBLED	198	ME20-D6-24F	2	SRAIL2	6	8	8	12	8	12	4
ME20-D6-30-2A	2' RAIL 2 FRM ME ASSEMBLED	218	ME20-D6-30F	2	SRAIL2	6	8	8	12	8	12	4
ME20-D6-36-2A	2' RAIL 2 FRM ME ASSEMBLED	273	ME20-D6-36F	2	SRAIL2	9	8	8	18	12	18	6
ME20-D6-42-2A	2' RAIL 2 FRM ME ASSEMBLED	296	ME20-D6-42F	2	SRAIL2	9	12	12	18	12	18	6
ME20-D6-48-2A	2' RAIL 2 FRM ME ASSEMBLED	325	ME20-D6-48F	2	SRAIL2	10	12	12	20	12	20	8
ME20-D6-54-2A	2' RAIL 2 FRM ME ASSEMBLED	408	ME20-D6-54F	2	SRAIL2	12	12	12	24	16	24	8
ME20-D6-60-2A	2' RAIL 2 FRM ME ASSEMBLED	443	ME20-D6-60F	2	SRAIL2	13	12	12	26	16	26	10
ME20-D6-66-2A	2' RAIL 2 FRM ME ASSEMBLED	490	ME20-D6-66F	2	SRAIL2	15	12	12	30	20	30	10
ME20-D6-72-2A	2' RAIL 2 FRM ME ASSEMBLED	512	ME20-D6-72F	2	SRAIL2	15	12	12	30	20	30	10
ME20-C6-54-2A	2' RAIL 2 FRM ME ASSEMBLED	371	ME20-C6-54F	2	SRAIL2	12	12	12	24	16	24	8
ME20-C6-60-2A	2' RAIL 2 FRM ME ASSEMBLED	401	ME20-C6-60F	2	SRAIL2	13	12	12	26	16	26	10

## 2 FOOT ASSEMBLED C & D MEDIUM DUTY SLIDER BED



Frame Part #	Description	WT	Wing Support		Wing		5/8 Bolt QTY	5/8 Nut QTY	T Bolt QTY	1/2 Washer QTY	1/2 Nut QTY	Wedge QTY
			Part #	QTY	Part #	QTY						
ME35-D4-18-2A	2' RAIL 2 FRM ME ASSEMBLED	180	ME35-D4-18F	2	SRAIL2	6	12	12	12	8	12	4
ME35-D4-20-2A	2' RAIL 2 FRM ME ASSEMBLED	184	ME35-D4-20F	2	SRAIL2	6	12	12	12	8	12	4
ME35-D4-24-2A	2' RAIL 2 FRM ME ASSEMBLED	193	ME35-D4-24F	2	SRAIL2	6	12	12	12	8	12	4
ME35-D4-30-2A	2' RAIL 2 FRM ME ASSEMBLED	212	ME35-D4-30F	2	SRAIL2	6	12	12	12	8	12	4
ME35-D4-36-2A	2' RAIL 2 FRM ME ASSEMBLED	266	ME35-D4-36F	2	SRAIL2	9	12	12	18	12	18	6
ME35-D4-42-2A	2' RAIL 2 FRM ME ASSEMBLED	288	ME35-D4-42F	2	SRAIL2	9	12	12	18	12	18	6
ME35-D4-48-2A	2' RAIL 2 FRM ME ASSEMBLED	318	ME35-D4-48F	2	SRAIL2	10	12	12	20	12	20	8
ME35-D4-54-2A	2' RAIL 2 FRM ME ASSEMBLED	370	ME35-D4-54F	2	SRAIL2	12	12	12	24	16	24	8
ME35-D4-60-2A	2' RAIL 2 FRM ME ASSEMBLED	399	ME35-D4-60F	2	SRAIL2	13	12	12	26	16	26	10
ME35-D4-66-2A	2' RAIL 2 FRM ME ASSEMBLED	442	ME35-D4-66F	2	SRAIL2	15	12	12	30	20	30	10
ME35-D4-72-2A	2' RAIL 2 FRM ME ASSEMBLED	460	ME35-D4-72F	2	SRAIL2	15	12	12	30	20	30	10

ME35-C4-54-2A	2' RAIL 2 FRM ME ASSEMBLED	365	ME35-C4-54F	2	SRAIL2	12	12	12	24	16	24	8
ME35-C4-60-2A	2' RAIL 2 FRM ME ASSEMBLED	395	ME35-C4-60F	2	SRAIL2	13	12	12	26	16	26	10

ME35-D5-18-2A	2' RAIL 2 FRM ME ASSEMBLED	186	ME35-D5-18F	2	SRAIL2	6	12	12	12	8	12	4
ME35-D5-20-2A	2' RAIL 2 FRM ME ASSEMBLED	190	ME35-D5-20F	2	SRAIL2	6	12	12	12	8	12	4
ME35-D5-24-2A	2' RAIL 2 FRM ME ASSEMBLED	198	ME35-D5-24F	2	SRAIL2	6	12	12	12	8	12	4
ME35-D5-30-2A	2' RAIL 2 FRM ME ASSEMBLED	218	ME35-D5-30F	2	SRAIL2	6	12	12	12	8	12	4
ME35-D5-36-2A	2' RAIL 2 FRM ME ASSEMBLED	272	ME35-D5-36F	2	SRAIL2	9	12	12	18	12	18	6
ME35-D5-42-2A	2' RAIL 2 FRM ME ASSEMBLED	294	ME35-D5-42F	2	SRAIL2	9	12	12	18	12	18	6
ME35-D5-48-2A	2' RAIL 2 FRM ME ASSEMBLED	324	ME35-D5-48F	2	SRAIL2	10	12	12	20	12	20	8
ME35-D5-54-2A	2' RAIL 2 FRM ME ASSEMBLED	407	ME35-D5-54F	2	SRAIL2	12	12	12	24	16	24	8
ME35-D5-60-2A	2' RAIL 2 FRM ME ASSEMBLED	442	ME35-D5-60F	2	SRAIL2	13	12	12	26	16	26	10
ME35-D5-66-2A	2' RAIL 2 FRM ME ASSEMBLED	490	ME35-D5-66F	2	SRAIL2	15	12	12	30	20	30	10
ME35-D5-72-2A	2' RAIL 2 FRM ME ASSEMBLED	513	ME35-D5-72F	2	SRAIL2	15	12	12	30	20	30	10

ME35-C5-54-2A	2' RAIL 2 FRM ME ASSEMBLED	371	ME35-C5-54F	2	SRAIL2	12	12	12	24	16	24	8
ME35-C5-60-2A	2' RAIL 2 FRM ME ASSEMBLED	401	ME35-C5-60F	2	SRAIL2	13	12	12	26	16	26	10

ME35-D6-18-2A	2' RAIL 2 FRM ME ASSEMBLED	192	ME35-D6-18F	2	SRAIL2	6	12	12	12	8	12	4
ME35-D6-20-2A	2' RAIL 2 FRM ME ASSEMBLED	195	ME35-D6-20F	2	SRAIL2	6	12	12	12	8	12	4
ME35-D6-24-2A	2' RAIL 2 FRM ME ASSEMBLED	204	ME35-D6-24F	2	SRAIL2	6	12	12	12	8	12	4
ME35-D6-30-2A	2' RAIL 2 FRM ME ASSEMBLED	223	ME35-D6-30F	2	SRAIL2	6	12	12	12	8	12	4
ME35-D6-36-2A	2' RAIL 2 FRM ME ASSEMBLED	277	ME35-D6-36F	2	SRAIL2	9	12	12	18	12	18	6
ME35-D6-42-2A	2' RAIL 2 FRM ME ASSEMBLED	300	ME35-D6-42F	2	SRAIL2	9	12	12	18	12	18	6
ME35-D6-48-2A	2' RAIL 2 FRM ME ASSEMBLED	330	ME35-D6-48F	2	SRAIL2	10	12	12	20	12	20	8
ME35-D6-54-2A	2' RAIL 2 FRM ME ASSEMBLED	414	ME35-D6-54F	2	SRAIL2	12	12	12	24	16	24	8
ME35-D6-60-2A	2' RAIL 2 FRM ME ASSEMBLED	449	ME35-D6-60F	2	SRAIL2	13	12	12	26	16	26	10
ME35-D6-66-2A	2' RAIL 2 FRM ME ASSEMBLED	496	ME35-D6-66F	2	SRAIL2	15	12	12	30	20	30	10
ME35-D6-72-2A	2' RAIL 2 FRM ME ASSEMBLED	519	ME35-D6-72F	2	SRAIL2	15	12	12	30	20	30	10

ME35-C6-54-2A	2' RAIL 2 FRM ME ASSEMBLED	377	ME35-C6-54F	2	SRAIL2	12	12	12	24	16	24	8
ME35-C6-60-2A	2' RAIL 2 FRM ME ASSEMBLED	407	ME35-C6-60F	2	SRAIL2	13	12	12	26	16	26	10

## 2 FOOT ASSEMBLED C & D MEDIUM DUTY SLIDER BED



Frame Part #	Description	WT	Wing Support		Wing		5/8 Bolt QTY	5/8 Nut QTY	T Bolt QTY	1/2 Washer QTY	1/2 Nut QTY	Wedge QTY
			Part #	QTY	Part #	QTY						
ME45-D4-18-2A	2' RAIL 2 FRM ME ASSEMBLED	182	ME45-D4-18F	2	SRAIL2	6	12	12	12	8	12	4
ME45-D4-20-2A	2' RAIL 2 FRM ME ASSEMBLED	186	ME45-D4-20F	2	SRAIL2	6	12	12	12	8	12	4
ME45-D4-24-2A	2' RAIL 2 FRM ME ASSEMBLED	194	ME45-D4-24F	2	SRAIL2	6	12	12	12	8	12	4
ME45-D4-30-2A	2' RAIL 2 FRM ME ASSEMBLED	214	ME45-D4-30F	2	SRAIL2	6	12	12	12	8	12	4
ME45-D4-36-2A	2' RAIL 2 FRM ME ASSEMBLED	268	ME45-D4-36F	2	SRAIL2	9	12	12	18	12	18	6
ME45-D4-42-2A	2' RAIL 2 FRM ME ASSEMBLED	291	ME45-D4-42F	2	SRAIL2	9	12	12	18	12	18	6
ME45-D4-48-2A	2' RAIL 2 FRM ME ASSEMBLED	321	ME45-D4-48F	2	SRAIL2	10	12	12	20	12	20	8
ME45-D4-54-2A	2' RAIL 2 FRM ME ASSEMBLED	373	ME45-D4-54F	2	SRAIL2	12	12	12	24	16	24	8
ME45-D4-60-2A	2' RAIL 2 FRM ME ASSEMBLED	403	ME45-D4-60F	2	SRAIL2	13	12	12	26	16	26	10
ME45-D4-66-2A	2' RAIL 2 FRM ME ASSEMBLED	446	ME45-D4-66F	2	SRAIL2	15	12	12	30	20	30	10
ME45-D4-72-2A	2' RAIL 2 FRM ME ASSEMBLED	464	ME45-D4-72F	2	SRAIL2	15	12	12	30	20	30	10
ME45-C4-54-2A	2' RAIL 2 FRM ME ASSEMBLED	369	ME45-C4-54F	2	SRAIL2	12	12	12	24	16	24	8
ME45-C4-60-2A	2' RAIL 2 FRM ME ASSEMBLED	399	ME45-C4-60F	2	SRAIL2	13	12	12	26	16	26	10
ME45-D5-18-2A	2' RAIL 2 FRM ME ASSEMBLED	188	ME45-D5-18F	2	SRAIL2	6	12	12	12	8	12	4
ME45-D5-20-2A	2' RAIL 2 FRM ME ASSEMBLED	191	ME45-D5-20F	2	SRAIL2	6	12	12	12	8	12	4
ME45-D5-24-2A	2' RAIL 2 FRM ME ASSEMBLED	200	ME45-D5-24F	2	SRAIL2	6	12	12	12	8	12	4
ME45-D5-30-2A	2' RAIL 2 FRM ME ASSEMBLED	220	ME45-D5-30F	2	SRAIL2	6	12	12	12	8	12	4
ME45-D5-36-2A	2' RAIL 2 FRM ME ASSEMBLED	274	ME45-D5-36F	2	SRAIL2	9	12	12	18	12	18	6
ME45-D5-42-2A	2' RAIL 2 FRM ME ASSEMBLED	297	ME45-D5-42F	2	SRAIL2	9	12	12	18	12	18	6
ME45-D5-48-2A	2' RAIL 2 FRM ME ASSEMBLED	327	ME45-D5-48F	2	SRAIL2	10	12	12	20	12	20	8
ME45-D5-54-2A	2' RAIL 2 FRM ME ASSEMBLED	411	ME45-D5-54F	2	SRAIL2	12	12	12	24	16	24	8
ME45-D5-60-2A	2' RAIL 2 FRM ME ASSEMBLED	446	ME45-D5-60F	2	SRAIL2	13	12	12	26	16	26	10
ME45-D5-66-2A	2' RAIL 2 FRM ME ASSEMBLED	494	ME45-D5-66F	2	SRAIL2	15	12	12	30	20	30	10
ME45-D5-72-2A	2' RAIL 2 FRM ME ASSEMBLED	518	ME45-D5-72F	2	SRAIL2	15	12	12	30	20	30	10
ME45-C5-54-2A	2' RAIL 2 FRM ME ASSEMBLED	375	ME45-C5-54F	2	SRAIL2	12	12	12	24	16	24	8
ME45-C5-60-2A	2' RAIL 2 FRM ME ASSEMBLED	405	ME45-C5-60F	2	SRAIL2	13	12	12	26	16	26	10
ME45-D6-18-2A	2' RAIL 2 FRM ME ASSEMBLED	193	ME45-D6-18F	2	SRAIL2	6	12	12	12	8	12	4
ME45-D6-20-2A	2' RAIL 2 FRM ME ASSEMBLED	197	ME45-D6-20F	2	SRAIL2	6	12	12	12	8	12	4
ME45-D6-24-2A	2' RAIL 2 FRM ME ASSEMBLED	206	ME45-D6-24F	2	SRAIL2	6	12	12	12	8	12	4
ME45-D6-30-2A	2' RAIL 2 FRM ME ASSEMBLED	225	ME45-D6-30F	2	SRAIL2	6	12	12	12	8	12	4
ME45-D6-36-2A	2' RAIL 2 FRM ME ASSEMBLED	279	ME45-D6-36F	2	SRAIL2	9	12	12	18	12	18	6
ME45-D6-42-2A	2' RAIL 2 FRM ME ASSEMBLED	303	ME45-D6-42F	2	SRAIL2	9	12	12	18	12	18	6
ME45-D6-48-2A	2' RAIL 2 FRM ME ASSEMBLED	333	ME45-D6-48F	2	SRAIL2	10	12	12	20	12	20	8
ME45-D6-54-2A	2' RAIL 2 FRM ME ASSEMBLED	417	ME45-D6-54F	2	SRAIL2	12	12	12	24	16	24	8
ME45-D6-60-2A	2' RAIL 2 FRM ME ASSEMBLED	453	ME45-D6-60F	2	SRAIL2	13	12	12	26	16	26	10
ME45-D6-66-2A	2' RAIL 2 FRM ME ASSEMBLED	500	ME45-D6-66F	2	SRAIL2	15	12	12	30	20	30	10
ME45-D6-72-2A	2' RAIL 2 FRM ME ASSEMBLED	524	ME45-D6-72F	2	SRAIL2	15	12	12	30	20	30	10
ME45-C6-54-2A	2' RAIL 2 FRM ME ASSEMBLED	381	ME45-C6-54F	2	SRAIL2	12	12	12	24	16	24	8
ME45-C6-60-2A	2' RAIL 2 FRM ME ASSEMBLED	411	ME45-C6-60F	2	SRAIL2	13	12	12	26	16	26	10



#### 4 FOOT ASSEMBLED C & D MEDIUM DUTY SLIDER BED



Frame Part #	Description	WT	Wing Support		Wing		5/8 Bolt QTY	5/8 Nut QTY	T Bolt QTY	1/2 Washer QTY	1/2 Nut QTY	Wedge QTY
			Part #	QTY	Part #	QTY						
ME20-D4-18-4A	4' RAIL 4 FRM ME ASSEMBLED	347	ME20-D4-18F	4	SRAIL4	6	16	16	24	16	24	8
ME20-D4-20-4A	4' RAIL 4 FRM ME ASSEMBLED	355	ME20-D4-20F	4	SRAIL4	6	16	16	24	16	24	8
ME20-D4-24-4A	4' RAIL 4 FRM ME ASSEMBLED	373	ME20-D4-24F	4	SRAIL4	6	16	16	24	16	24	8
ME20-D4-30-4A	4' RAIL 4 FRM ME ASSEMBLED	413	ME20-D4-30F	4	SRAIL4	6	16	16	24	16	24	8
ME20-D4-36-4A	4' RAIL 4 FRM ME ASSEMBLED	523	ME20-D4-36F	4	SRAIL4	9	16	16	36	24	36	12
ME20-D4-42-4A	4' RAIL 4 FRM ME ASSEMBLED	568	ME20-D4-42F	4	SRAIL4	9	24	24	36	24	36	12
ME20-D4-48-4A	4' RAIL 4 FRM ME ASSEMBLED	626	ME20-D4-48F	4	SRAIL4	10	24	24	40	24	40	16
ME20-D4-54-4A	4' RAIL 4 FRM ME ASSEMBLED	728	ME20-D4-54F	4	SRAIL4	12	24	24	48	32	48	16
ME20-D4-60-4A	4' RAIL 4 FRM ME ASSEMBLED	787	ME20-D4-60F	4	SRAIL4	13	24	24	52	32	52	20
ME20-D4-66-4A	4' RAIL 4 FRM ME ASSEMBLED	870	ME20-D4-66F	4	SRAIL4	15	24	24	60	40	60	20
ME20-D4-72-4A	4' RAIL 4 FRM ME ASSEMBLED	905	ME20-D4-72F	4	SRAIL4	15	24	24	60	40	60	20
ME20-C4-54-4A	4' RAIL 4 FRM ME ASSEMBLED	719	ME20-C4-54F	4	SRAIL4	12	24	24	48	32	48	16
ME20-C4-60-4A	4' RAIL 4 FRM ME ASSEMBLED	778	ME20-C4-60F	4	SRAIL4	13	24	24	52	32	52	20
ME20-D5-18-4A	4' RAIL 4 FRM ME ASSEMBLED	358	ME20-D5-18F	4	SRAIL4	6	16	16	24	16	24	8
ME20-D5-20-4A	4' RAIL 4 FRM ME ASSEMBLED	366	ME20-D5-20F	4	SRAIL4	6	16	16	24	16	24	8
ME20-D5-24-4A	4' RAIL 4 FRM ME ASSEMBLED	384	ME20-D5-24F	4	SRAIL4	6	16	16	24	16	24	8
ME20-D5-30-4A	4' RAIL 4 FRM ME ASSEMBLED	426	ME20-D5-30F	4	SRAIL4	6	16	16	24	16	24	8
ME20-D5-36-4A	4' RAIL 4 FRM ME ASSEMBLED	536	ME20-D5-36F	4	SRAIL4	9	16	16	36	24	36	12
ME20-D5-42-4A	4' RAIL 4 FRM ME ASSEMBLED	580	ME20-D5-42F	4	SRAIL4	9	24	24	36	24	36	12
ME20-D5-48-4A	4' RAIL 4 FRM ME ASSEMBLED	638	ME20-D5-48F	4	SRAIL4	10	24	24	40	24	40	16
ME20-D5-54-4A	4' RAIL 4 FRM ME ASSEMBLED	804	ME20-D5-54F	4	SRAIL4	12	24	24	48	32	48	16
ME20-D5-60-4A	4' RAIL 4 FRM ME ASSEMBLED	873	ME20-D5-60F	4	SRAIL4	13	24	24	52	32	52	20
ME20-D5-66-4A	4' RAIL 4 FRM ME ASSEMBLED	966	ME20-D5-66F	4	SRAIL4	15	24	24	60	40	60	20
ME20-D5-72-4A	4' RAIL 4 FRM ME ASSEMBLED	1011	ME20-D5-72F	4	SRAIL4	15	24	24	60	40	60	20
ME20-C5-54-4A	4' RAIL 4 FRM ME ASSEMBLED	731	ME20-C5-54F	4	SRAIL4	12	24	24	48	32	48	16
ME20-C5-60-4A	4' RAIL 4 FRM ME ASSEMBLED	789	ME20-C5-60F	4	SRAIL4	13	24	24	52	32	52	20
ME20-D6-18-4A	4' RAIL 4 FRM ME ASSEMBLED	370	ME20-D6-18F	4	SRAIL4	6	16	16	24	16	24	8
ME20-D6-20-4A	4' RAIL 4 FRM ME ASSEMBLED	378	ME20-D6-20F	4	SRAIL4	6	16	16	24	16	24	8
ME20-D6-24-4A	4' RAIL 4 FRM ME ASSEMBLED	396	ME20-D6-24F	4	SRAIL4	6	16	16	24	16	24	8
ME20-D6-30-4A	4' RAIL 4 FRM ME ASSEMBLED	436	ME20-D6-30F	4	SRAIL4	6	16	16	24	16	24	8
ME20-D6-36-4A	4' RAIL 4 FRM ME ASSEMBLED	546	ME20-D6-36F	4	SRAIL4	9	16	16	36	24	36	12
ME20-D6-42-4A	4' RAIL 4 FRM ME ASSEMBLED	592	ME20-D6-42F	4	SRAIL4	9	24	24	36	24	36	12
ME20-D6-48-4A	4' RAIL 4 FRM ME ASSEMBLED	650	ME20-D6-48F	4	SRAIL4	10	24	24	40	24	40	16
ME20-D6-54-4A	4' RAIL 4 FRM ME ASSEMBLED	817	ME20-D6-54F	4	SRAIL4	12	24	24	48	32	48	16
ME20-D6-60-4A	4' RAIL 4 FRM ME ASSEMBLED	885	ME20-D6-60F	4	SRAIL4	13	24	24	52	32	52	20
ME20-D6-66-4A	4' RAIL 4 FRM ME ASSEMBLED	979	ME20-D6-66F	4	SRAIL4	15	24	24	60	40	60	20
ME20-D6-72-4A	4' RAIL 4 FRM ME ASSEMBLED	1024	ME20-D6-72F	4	SRAIL4	15	24	24	60	40	60	20
ME20-C6-54-4A	4' RAIL 4 FRM ME ASSEMBLED	743	ME20-C6-54F	4	SRAIL4	12	24	24	48	32	48	16
ME20-C6-60-4A	4' RAIL 4 FRM ME ASSEMBLED	801	ME20-C6-60F	4	SRAIL4	13	24	24	52	32	52	20

#### 4 FOOT ASSEMBLED C & D MEDIUM DUTY SLIDER BED



Frame Part #	Description	WT	Wing Support		Wing		5/8 Bolt QTY	5/8 Nut QTY	T Bolt QTY	1/2 Washer QTY	1/2 Nut QTY	Wedge QTY
			Part #	QTY	Part #	QTY						
ME35-D4-18-4A	4' RAIL 4 FRM ME ASSEMBLED	361	ME35-D4-18F	4	SRAIL4	6	24	24	24	16	24	8
ME35-D4-20-4A	4' RAIL 4 FRM ME ASSEMBLED	368	ME35-D4-20F	4	SRAIL4	6	24	24	24	16	24	8
ME35-D4-24-4A	4' RAIL 4 FRM ME ASSEMBLED	385	ME35-D4-24F	4	SRAIL4	6	24	24	24	16	24	8
ME35-D4-30-4A	4' RAIL 4 FRM ME ASSEMBLED	424	ME35-D4-30F	4	SRAIL4	6	24	24	24	16	24	8
ME35-D4-36-4A	4' RAIL 4 FRM ME ASSEMBLED	531	ME35-D4-36F	4	SRAIL4	9	24	24	36	24	36	12
ME35-D4-42-4A	4' RAIL 4 FRM ME ASSEMBLED	576	ME35-D4-42F	4	SRAIL4	9	24	24	36	24	36	12
ME35-D4-48-4A	4' RAIL 4 FRM ME ASSEMBLED	636	ME35-D4-48F	4	SRAIL4	10	24	24	40	24	40	16
ME35-D4-54-4A	4' RAIL 4 FRM ME ASSEMBLED	739	ME35-D4-54F	4	SRAIL4	12	24	24	48	32	48	16
ME35-D4-60-4A	4' RAIL 4 FRM ME ASSEMBLED	799	ME35-D4-60F	4	SRAIL4	13	24	24	52	32	52	20
ME35-D4-66-4A	4' RAIL 4 FRM ME ASSEMBLED	884	ME35-D4-66F	4	SRAIL4	15	24	24	60	40	60	20
ME35-D4-72-4A	4' RAIL 4 FRM ME ASSEMBLED	920	ME35-D4-72F	4	SRAIL4	15	24	24	60	40	60	20

ME35-C4-54-4A	4' RAIL 4 FRM ME ASSEMBLED	730	ME35-C4-54F	4	SRAIL4	12	24	24	48	32	48	16
ME35-C4-60-4A	4' RAIL 4 FRM ME ASSEMBLED	790	ME35-C4-60F	4	SRAIL4	13	24	24	52	32	52	20

ME35-D5-18-4A	4' RAIL 4 FRM ME ASSEMBLED	372	ME35-D5-18F	4	SRAIL4	6	24	24	24	16	24	8
ME35-D5-20-4A	4' RAIL 4 FRM ME ASSEMBLED	379	ME35-D5-20F	4	SRAIL4	6	24	24	24	16	24	8
ME35-D5-24-4A	4' RAIL 4 FRM ME ASSEMBLED	396	ME35-D5-24F	4	SRAIL4	6	24	24	24	16	24	8
ME35-D5-30-4A	4' RAIL 4 FRM ME ASSEMBLED	436	ME35-D5-30F	4	SRAIL4	6	24	24	24	16	24	8
ME35-D5-36-4A	4' RAIL 4 FRM ME ASSEMBLED	544	ME35-D5-36F	4	SRAIL4	9	24	24	36	24	36	12
ME35-D5-42-4A	4' RAIL 4 FRM ME ASSEMBLED	588	ME35-D5-42F	4	SRAIL4	9	24	24	36	24	36	12
ME35-D5-48-4A	4' RAIL 4 FRM ME ASSEMBLED	648	ME35-D5-48F	4	SRAIL4	10	24	24	40	24	40	16
ME35-D5-54-4A	4' RAIL 4 FRM ME ASSEMBLED	815	ME35-D5-54F	4	SRAIL4	12	24	24	48	32	48	16
ME35-D5-60-4A	4' RAIL 4 FRM ME ASSEMBLED	885	ME35-D5-60F	4	SRAIL4	13	24	24	52	32	52	20
ME35-D5-66-4A	4' RAIL 4 FRM ME ASSEMBLED	979	ME35-D5-66F	4	SRAIL4	15	24	24	60	40	60	20
ME35-D5-72-4A	4' RAIL 4 FRM ME ASSEMBLED	1026	ME35-D5-72F	4	SRAIL4	15	24	24	60	40	60	20

ME35-C5-54-4A	4' RAIL 4 FRM ME ASSEMBLED	742	ME35-C5-54F	4	SRAIL4	12	24	24	48	32	48	16
ME35-C5-60-4A	4' RAIL 4 FRM ME ASSEMBLED	801	ME35-C5-60F	4	SRAIL4	13	24	24	52	32	52	20

ME35-D6-18-4A	4' RAIL 4 FRM ME ASSEMBLED	383	ME35-D6-18F	4	SRAIL4	6	24	24	24	16	24	8
ME35-D6-20-4A	4' RAIL 4 FRM ME ASSEMBLED	391	ME35-D6-20F	4	SRAIL4	6	24	24	24	16	24	8
ME35-D6-24-4A	4' RAIL 4 FRM ME ASSEMBLED	408	ME35-D6-24F	4	SRAIL4	6	24	24	24	16	24	8
ME35-D6-30-4A	4' RAIL 4 FRM ME ASSEMBLED	446	ME35-D6-30F	4	SRAIL4	6	24	24	24	16	24	8
ME35-D6-36-4A	4' RAIL 4 FRM ME ASSEMBLED	554	ME35-D6-36F	4	SRAIL4	9	24	24	36	24	36	12
ME35-D6-42-4A	4' RAIL 4 FRM ME ASSEMBLED	600	ME35-D6-42F	4	SRAIL4	9	24	24	36	24	36	12
ME35-D6-48-4A	4' RAIL 4 FRM ME ASSEMBLED	660	ME35-D6-48F	4	SRAIL4	10	24	24	40	24	40	16
ME35-D6-54-4A	4' RAIL 4 FRM ME ASSEMBLED	828	ME35-D6-54F	4	SRAIL4	12	24	24	48	32	48	16
ME35-D6-60-4A	4' RAIL 4 FRM ME ASSEMBLED	897	ME35-D6-60F	4	SRAIL4	13	24	24	52	32	52	20
ME35-D6-66-4A	4' RAIL 4 FRM ME ASSEMBLED	992	ME35-D6-66F	4	SRAIL4	15	24	24	60	40	60	20
ME35-D6-72-4A	4' RAIL 4 FRM ME ASSEMBLED	1039	ME35-D6-72F	4	SRAIL4	15	24	24	60	40	60	20

ME35-C6-54-4A	4' RAIL 4 FRM ME ASSEMBLED	754	ME35-C6-54F	4	SRAIL4	12	24	24	48	32	48	16
ME35-C6-60-4A	4' RAIL 4 FRM ME ASSEMBLED	813	ME35-C6-60F	4	SRAIL4	13	24	24	52	32	52	20

## 4 FOOT ASSEMBLED C & D MEDIUM DUTY SLIDER BED



Frame Part #	Description	WT	Wing Support		Wing		5/8 Bolt QTY	5/8 Nut QTY	T Bolt QTY	1/2 Washer QTY	1/2 Nut QTY	Wedge QTY
			Part #	QTY	Part #	QTY						
ME45-D4-18-4A	4' RAIL 4 FRM ME ASSEMBLED	364	ME45-D4-18F	4	SRAIL4	6	24	24	24	16	24	8
ME45-D4-20-4A	4' RAIL 4 FRM ME ASSEMBLED	372	ME45-D4-20F	4	SRAIL4	6	24	24	24	16	24	8
ME45-D4-24-4A	4' RAIL 4 FRM ME ASSEMBLED	389	ME45-D4-24F	4	SRAIL4	6	24	24	24	16	24	8
ME45-D4-30-4A	4' RAIL 4 FRM ME ASSEMBLED	428	ME45-D4-30F	4	SRAIL4	6	24	24	24	16	24	8
ME45-D4-36-4A	4' RAIL 4 FRM ME ASSEMBLED	536	ME45-D4-36F	4	SRAIL4	9	24	24	36	24	36	12
ME45-D4-42-4A	4' RAIL 4 FRM ME ASSEMBLED	582	ME45-D4-42F	4	SRAIL4	9	24	24	36	24	36	12
ME45-D4-48-4A	4' RAIL 4 FRM ME ASSEMBLED	642	ME45-D4-48F	4	SRAIL4	10	24	24	40	24	40	16
ME45-D4-54-4A	4' RAIL 4 FRM ME ASSEMBLED	747	ME45-D4-54F	4	SRAIL4	12	24	24	48	32	48	16
ME45-D4-60-4A	4' RAIL 4 FRM ME ASSEMBLED	807	ME45-D4-60F	4	SRAIL4	13	24	24	52	32	52	20
ME45-D4-66-4A	4' RAIL 4 FRM ME ASSEMBLED	892	ME45-D4-66F	4	SRAIL4	15	24	24	60	40	60	20
ME45-D4-72-4A	4' RAIL 4 FRM ME ASSEMBLED	929	ME45-D4-72F	4	SRAIL4	15	24	24	60	40	60	20
ME45-C4-54-4A	4' RAIL 4 FRM ME ASSEMBLED	737	ME45-C4-54F	4	SRAIL4	12	24	24	48	32	48	16
ME45-C4-60-4A	4' RAIL 4 FRM ME ASSEMBLED	798	ME45-C4-60F	4	SRAIL4	13	24	24	52	32	52	20
ME45-D5-18-4A	4' RAIL 4 FRM ME ASSEMBLED	375	ME45-D5-18F	4	SRAIL4	6	24	24	24	16	24	8
ME45-D5-20-4A	4' RAIL 4 FRM ME ASSEMBLED	383	ME45-D5-20F	4	SRAIL4	6	24	24	24	16	24	8
ME45-D5-24-4A	4' RAIL 4 FRM ME ASSEMBLED	400	ME45-D5-24F	4	SRAIL4	6	24	24	24	16	24	8
ME45-D5-30-4A	4' RAIL 4 FRM ME ASSEMBLED	441	ME45-D5-30F	4	SRAIL4	6	24	24	24	16	24	8
ME45-D5-36-4A	4' RAIL 4 FRM ME ASSEMBLED	549	ME45-D5-36F	4	SRAIL4	9	24	24	36	24	36	12
ME45-D5-42-4A	4' RAIL 4 FRM ME ASSEMBLED	594	ME45-D5-42F	4	SRAIL4	9	24	24	36	24	36	12
ME45-D5-48-4A	4' RAIL 4 FRM ME ASSEMBLED	654	ME45-D5-48F	4	SRAIL4	10	24	24	40	24	40	16
ME45-D5-54-4A	4' RAIL 4 FRM ME ASSEMBLED	822	ME45-D5-54F	4	SRAIL4	12	24	24	48	32	48	16
ME45-D5-60-4A	4' RAIL 4 FRM ME ASSEMBLED	892	ME45-D5-60F	4	SRAIL4	13	24	24	52	32	52	20
ME45-D5-66-4A	4' RAIL 4 FRM ME ASSEMBLED	988	ME45-D5-66F	4	SRAIL4	15	24	24	60	40	60	20
ME45-D5-72-4A	4' RAIL 4 FRM ME ASSEMBLED	1035	ME45-D5-72F	4	SRAIL4	15	24	24	60	40	60	20
ME45-C5-54-4A	4' RAIL 4 FRM ME ASSEMBLED	749	ME45-C5-54F	4	SRAIL4	12	24	24	48	32	48	16
ME45-C5-60-4A	4' RAIL 4 FRM ME ASSEMBLED	809	ME45-C5-60F	4	SRAIL4	13	24	24	52	32	52	20
ME45-D6-18-4A	4' RAIL 4 FRM ME ASSEMBLED	387	ME45-D6-18F	4	SRAIL4	6	24	24	24	16	24	8
ME45-D6-20-4A	4' RAIL 4 FRM ME ASSEMBLED	394	ME45-D6-20F	4	SRAIL4	6	24	24	24	16	24	8
ME45-D6-24-4A	4' RAIL 4 FRM ME ASSEMBLED	411	ME45-D6-24F	4	SRAIL4	6	24	24	24	16	24	8
ME45-D6-30-4A	4' RAIL 4 FRM ME ASSEMBLED	450	ME45-D6-30F	4	SRAIL4	6	24	24	24	16	24	8
ME45-D6-36-4A	4' RAIL 4 FRM ME ASSEMBLED	559	ME45-D6-36F	4	SRAIL4	9	24	24	36	24	36	12
ME45-D6-42-4A	4' RAIL 4 FRM ME ASSEMBLED	606	ME45-D6-42F	4	SRAIL4	9	24	24	36	24	36	12
ME45-D6-48-4A	4' RAIL 4 FRM ME ASSEMBLED	666	ME45-D6-48F	4	SRAIL4	10	24	24	40	24	40	16
ME45-D6-54-4A	4' RAIL 4 FRM ME ASSEMBLED	835	ME45-D6-54F	4	SRAIL4	12	24	24	48	32	48	16
ME45-D6-60-4A	4' RAIL 4 FRM ME ASSEMBLED	905	ME45-D6-60F	4	SRAIL4	13	24	24	52	32	52	20
ME45-D6-66-4A	4' RAIL 4 FRM ME ASSEMBLED	1001	ME45-D6-66F	4	SRAIL4	15	24	24	60	40	60	20
ME45-D6-72-4A	4' RAIL 4 FRM ME ASSEMBLED	1048	ME45-D6-72F	4	SRAIL4	15	24	24	60	40	60	20
ME45-C6-54-4A	4' RAIL 4 FRM ME ASSEMBLED	761	ME45-C6-54F	4	SRAIL4	12	24	24	48	32	48	16
ME45-C6-60-4A	4' RAIL 4 FRM ME ASSEMBLED	821	ME45-C6-60F	4	SRAIL4	13	24	24	52	32	52	20

## 5 FOOT ASSEMBLED C & D MEDIUM DUTY SLIDER BED



Frame Part #	Description	WT	Wing Support		Wing		5/8 Bolt QTY	5/8 Nut QTY	T Bolt QTY	1/2 Washer QTY	1/2 Nut QTY	Wedge QTY
			Part #	QTY	Part #	QTY						
ME20-D4-18-5A	5' RAIL 5 FRM ME ASSEMBLED	434	ME20-D4-18F	5	SRAIL5	6	20	20	30	20	30	10
ME20-D4-20-5A	5' RAIL 5 FRM ME ASSEMBLED	444	ME20-D4-20F	5	SRAIL5	6	20	20	30	20	30	10
ME20-D4-24-5A	5' RAIL 5 FRM ME ASSEMBLED	466	ME20-D4-24F	5	SRAIL5	6	20	20	30	20	30	10
ME20-D4-30-5A	5' RAIL 5 FRM ME ASSEMBLED	516	ME20-D4-30F	5	SRAIL5	6	20	20	30	20	30	10
ME20-D4-36-5A	5' RAIL 5 FRM ME ASSEMBLED	654	ME20-D4-36F	5	SRAIL5	9	20	20	45	30	45	15
ME20-D4-42-5A	5' RAIL 5 FRM ME ASSEMBLED	710	ME20-D4-42F	5	SRAIL5	9	30	30	45	30	45	15
ME20-D4-48-5A	5' RAIL 5 FRM ME ASSEMBLED	783	ME20-D4-48F	5	SRAIL5	10	30	30	50	30	50	20
ME20-D4-54-5A	5' RAIL 5 FRM ME ASSEMBLED	911	ME20-D4-54F	5	SRAIL5	12	30	30	60	40	60	20
ME20-D4-60-5A	5' RAIL 5 FRM ME ASSEMBLED	984	ME20-D4-60F	5	SRAIL5	13	30	30	65	40	65	25
ME20-D4-66-5A	5' RAIL 5 FRM ME ASSEMBLED	1088	ME20-D4-66F	5	SRAIL5	15	30	30	75	50	75	25
ME20-D4-72-5A	5' RAIL 5 FRM ME ASSEMBLED	1132	ME20-D4-72F	5	SRAIL5	15	30	30	75	50	75	25
ME20-C4-54-5A	5' RAIL 5 FRM ME ASSEMBLED	899	ME20-C4-54F	5	SRAIL5	12	30	30	60	40	60	20
ME20-C4-60-5A	5' RAIL 5 FRM ME ASSEMBLED	972	ME20-C4-60F	5	SRAIL5	13	30	30	65	40	65	25
ME20-D5-18-5A	5' RAIL 5 FRM ME ASSEMBLED	448	ME20-D5-18F	5	SRAIL5	6	20	20	30	20	30	10
ME20-D5-20-5A	5' RAIL 5 FRM ME ASSEMBLED	458	ME20-D5-20F	5	SRAIL5	6	20	20	30	20	30	10
ME20-D5-24-5A	5' RAIL 5 FRM ME ASSEMBLED	480	ME20-D5-24F	5	SRAIL5	6	20	20	30	20	30	10
ME20-D5-30-5A	5' RAIL 5 FRM ME ASSEMBLED	532	ME20-D5-30F	5	SRAIL5	6	20	20	30	20	30	10
ME20-D5-36-5A	5' RAIL 5 FRM ME ASSEMBLED	670	ME20-D5-36F	5	SRAIL5	9	20	20	45	30	45	15
ME20-D5-42-5A	5' RAIL 5 FRM ME ASSEMBLED	725	ME20-D5-42F	5	SRAIL5	9	30	30	45	30	45	15
ME20-D5-48-5A	5' RAIL 5 FRM ME ASSEMBLED	797	ME20-D5-48F	5	SRAIL5	10	30	30	50	30	50	20
ME20-D5-54-5A	5' RAIL 5 FRM ME ASSEMBLED	1005	ME20-D5-54F	5	SRAIL5	12	30	30	60	40	60	20
ME20-D5-60-5A	5' RAIL 5 FRM ME ASSEMBLED	1091	ME20-D5-60F	5	SRAIL5	13	30	30	65	40	65	25
ME20-D5-66-5A	5' RAIL 5 FRM ME ASSEMBLED	1208	ME20-D5-66F	5	SRAIL5	15	30	30	75	50	75	25
ME20-D5-72-5A	5' RAIL 5 FRM ME ASSEMBLED	1264	ME20-D5-72F	5	SRAIL5	15	30	30	75	50	75	25
ME20-C5-54-5A	5' RAIL 5 FRM ME ASSEMBLED	914	ME20-C5-54F	5	SRAIL5	12	30	30	60	40	60	20
ME20-C5-60-5A	5' RAIL 5 FRM ME ASSEMBLED	987	ME20-C5-60F	5	SRAIL5	13	30	30	65	40	65	25
ME20-D6-18-5A	5' RAIL 5 FRM ME ASSEMBLED	463	ME20-D6-18F	5	SRAIL5	6	20	20	30	20	30	10
ME20-D6-20-5A	5' RAIL 5 FRM ME ASSEMBLED	473	ME20-D6-20F	5	SRAIL5	6	20	20	30	20	30	10
ME20-D6-24-5A	5' RAIL 5 FRM ME ASSEMBLED	495	ME20-D6-24F	5	SRAIL5	6	20	20	30	20	30	10
ME20-D6-30-5A	5' RAIL 5 FRM ME ASSEMBLED	545	ME20-D6-30F	5	SRAIL5	6	20	20	30	20	30	10
ME20-D6-36-5A	5' RAIL 5 FRM ME ASSEMBLED	682	ME20-D6-36F	5	SRAIL5	9	20	20	45	30	45	15
ME20-D6-42-5A	5' RAIL 5 FRM ME ASSEMBLED	740	ME20-D6-42F	5	SRAIL5	9	30	30	45	30	45	15
ME20-D6-48-5A	5' RAIL 5 FRM ME ASSEMBLED	812	ME20-D6-48F	5	SRAIL5	10	30	30	50	30	50	20
ME20-D6-54-5A	5' RAIL 5 FRM ME ASSEMBLED	1021	ME20-D6-54F	5	SRAIL5	12	30	30	60	40	60	20
ME20-D6-60-5A	5' RAIL 5 FRM ME ASSEMBLED	1107	ME20-D6-60F	5	SRAIL5	13	30	30	65	40	65	25
ME20-D6-66-5A	5' RAIL 5 FRM ME ASSEMBLED	1224	ME20-D6-66F	5	SRAIL5	15	30	30	75	50	75	25
ME20-D6-72-5A	5' RAIL 5 FRM ME ASSEMBLED	1280	ME20-D6-72F	5	SRAIL5	15	30	30	75	50	75	25
ME20-C6-54-5A	5' RAIL 5 FRM ME ASSEMBLED	929	ME20-C6-54F	5	SRAIL5	12	30	30	60	40	60	20
ME20-C6-60-5A	5' RAIL 5 FRM ME ASSEMBLED	1002	ME20-C6-60F	5	SRAIL5	13	30	30	65	40	65	25

## 5 FOOT ASSEMBLED C & D MEDIUM DUTY SLIDER BED



Frame Part #	Description	WT	Wing Support		Wing		5/8 Bolt QTY	5/8 Nut QTY	T Bolt QTY	1/2 Washer QTY	1/2 Nut QTY	Wedge QTY
			Part #	QTY	Part #	QTY						
ME35-D4-18-5A	5' RAIL 5 FRM ME ASSEMBLED	451	ME35-D4-18F	5	SRAIL5	6	30	30	30	20	30	10
ME35-D4-20-5A	5' RAIL 5 FRM ME ASSEMBLED	460	ME35-D4-20F	5	SRAIL5	6	30	30	30	20	30	10
ME35-D4-24-5A	5' RAIL 5 FRM ME ASSEMBLED	482	ME35-D4-24F	5	SRAIL5	6	30	30	30	20	30	10
ME35-D4-30-5A	5' RAIL 5 FRM ME ASSEMBLED	529	ME35-D4-30F	5	SRAIL5	6	30	30	30	20	30	10
ME35-D4-36-5A	5' RAIL 5 FRM ME ASSEMBLED	664	ME35-D4-36F	5	SRAIL5	9	30	30	45	30	45	15
ME35-D4-42-5A	5' RAIL 5 FRM ME ASSEMBLED	721	ME35-D4-42F	5	SRAIL5	9	30	30	45	30	45	15
ME35-D4-48-5A	5' RAIL 5 FRM ME ASSEMBLED	795	ME35-D4-48F	5	SRAIL5	10	30	30	50	30	50	20
ME35-D4-54-5A	5' RAIL 5 FRM ME ASSEMBLED	924	ME35-D4-54F	5	SRAIL5	12	30	30	60	40	60	20
ME35-D4-60-5A	5' RAIL 5 FRM ME ASSEMBLED	999	ME35-D4-60F	5	SRAIL5	13	30	30	65	40	65	25
ME35-D4-66-5A	5' RAIL 5 FRM ME ASSEMBLED	1104	ME35-D4-66F	5	SRAIL5	15	30	30	75	50	75	25
ME35-D4-72-5A	5' RAIL 5 FRM ME ASSEMBLED	1150	ME35-D4-72F	5	SRAIL5	15	30	30	75	50	75	25

ME35-C4-54-5A	5' RAIL 5 FRM ME ASSEMBLED	913	ME35-C4-54F	5	SRAIL5	12	30	30	60	40	60	20
ME35-C4-60-5A	5' RAIL 5 FRM ME ASSEMBLED	987	ME35-C4-60F	5	SRAIL5	13	30	30	65	40	65	25

ME35-D5-18-5A	5' RAIL 5 FRM ME ASSEMBLED	465	ME35-D5-18F	5	SRAIL5	6	30	30	30	20	30	10
ME35-D5-20-5A	5' RAIL 5 FRM ME ASSEMBLED	474	ME35-D5-20F	5	SRAIL5	6	30	30	30	20	30	10
ME35-D5-24-5A	5' RAIL 5 FRM ME ASSEMBLED	495	ME35-D5-24F	5	SRAIL5	6	30	30	30	20	30	10
ME35-D5-30-5A	5' RAIL 5 FRM ME ASSEMBLED	545	ME35-D5-30F	5	SRAIL5	6	30	30	30	20	30	10
ME35-D5-36-5A	5' RAIL 5 FRM ME ASSEMBLED	680	ME35-D5-36F	5	SRAIL5	9	30	30	45	30	45	15
ME35-D5-42-5A	5' RAIL 5 FRM ME ASSEMBLED	735	ME35-D5-42F	5	SRAIL5	9	30	30	45	30	45	15
ME35-D5-48-5A	5' RAIL 5 FRM ME ASSEMBLED	809	ME35-D5-48F	5	SRAIL5	10	30	30	50	30	50	20
ME35-D5-54-5A	5' RAIL 5 FRM ME ASSEMBLED	1019	ME35-D5-54F	5	SRAIL5	12	30	30	60	40	60	20
ME35-D5-60-5A	5' RAIL 5 FRM ME ASSEMBLED	1106	ME35-D5-60F	5	SRAIL5	13	30	30	65	40	65	25
ME35-D5-66-5A	5' RAIL 5 FRM ME ASSEMBLED	1224	ME35-D5-66F	5	SRAIL5	15	30	30	75	50	75	25
ME35-D5-72-5A	5' RAIL 5 FRM ME ASSEMBLED	1282	ME35-D5-72F	5	SRAIL5	15	30	30	75	50	75	25

ME35-C5-54-5A	5' RAIL 5 FRM ME ASSEMBLED	927	ME35-C5-54F	5	SRAIL5	12	30	30	60	40	60	20
ME35-C5-60-5A	5' RAIL 5 FRM ME ASSEMBLED	1002	ME35-C5-60F	5	SRAIL5	13	30	30	65	40	65	25

ME35-D6-18-5A	5' RAIL 5 FRM ME ASSEMBLED	479	ME35-D6-18F	5	SRAIL5	6	30	30	30	20	30	10
ME35-D6-20-5A	5' RAIL 5 FRM ME ASSEMBLED	489	ME35-D6-20F	5	SRAIL5	6	30	30	30	20	30	10
ME35-D6-24-5A	5' RAIL 5 FRM ME ASSEMBLED	510	ME35-D6-24F	5	SRAIL5	6	30	30	30	20	30	10
ME35-D6-30-5A	5' RAIL 5 FRM ME ASSEMBLED	558	ME35-D6-30F	5	SRAIL5	6	30	30	30	20	30	10
ME35-D6-36-5A	5' RAIL 5 FRM ME ASSEMBLED	692	ME35-D6-36F	5	SRAIL5	9	30	30	45	30	45	15
ME35-D6-42-5A	5' RAIL 5 FRM ME ASSEMBLED	750	ME35-D6-42F	5	SRAIL5	9	30	30	45	30	45	15
ME35-D6-48-5A	5' RAIL 5 FRM ME ASSEMBLED	824	ME35-D6-48F	5	SRAIL5	10	30	30	50	30	50	20
ME35-D6-54-5A	5' RAIL 5 FRM ME ASSEMBLED	1035	ME35-D6-54F	5	SRAIL5	12	30	30	60	40	60	20
ME35-D6-60-5A	5' RAIL 5 FRM ME ASSEMBLED	1122	ME35-D6-60F	5	SRAIL5	13	30	30	65	40	65	25
ME35-D6-66-5A	5' RAIL 5 FRM ME ASSEMBLED	1240	ME35-D6-66F	5	SRAIL5	15	30	30	75	50	75	25
ME35-D6-72-5A	5' RAIL 5 FRM ME ASSEMBLED	1298	ME35-D6-72F	5	SRAIL5	15	30	30	75	50	75	25

ME35-C6-54-5A	5' RAIL 5 FRM ME ASSEMBLED	942	ME35-C6-54F	5	SRAIL5	12	30	30	60	40	60	20
ME35-C6-60-5A	5' RAIL 5 FRM ME ASSEMBLED	1017	ME35-C6-60F	5	SRAIL5	13	30	30	65	40	65	25

## 5 FOOT ASSEMBLED C & D MEDIUM DUTY SLIDER BED



Frame Part #	Description	WT	Wing Support		Wing		5/8 Bolt QTY	5/8 Nut QTY	T Bolt QTY	1/2 Washer QTY	1/2 Nut QTY	Wedge QTY
			Part #	QTY	Part #	QTY						
ME45-D4-18-5A	5' RAIL 5 FRM ME ASSEMBLED	455	ME45-D4-18F	5	SRAIL5	6	30	30	30	20	30	10
ME45-D4-20-5A	5' RAIL 5 FRM ME ASSEMBLED	465	ME45-D4-20F	5	SRAIL5	6	30	30	30	20	30	10
ME45-D4-24-5A	5' RAIL 5 FRM ME ASSEMBLED	486	ME45-D4-24F	5	SRAIL5	6	30	30	30	20	30	10
ME45-D4-30-5A	5' RAIL 5 FRM ME ASSEMBLED	535	ME45-D4-30F	5	SRAIL5	6	30	30	30	20	30	10
ME45-D4-36-5A	5' RAIL 5 FRM ME ASSEMBLED	670	ME45-D4-36F	5	SRAIL5	9	30	30	45	30	45	15
ME45-D4-42-5A	5' RAIL 5 FRM ME ASSEMBLED	728	ME45-D4-42F	5	SRAIL5	9	30	30	45	30	45	15
ME45-D4-48-5A	5' RAIL 5 FRM ME ASSEMBLED	803	ME45-D4-48F	5	SRAIL5	10	30	30	50	30	50	20
ME45-D4-54-5A	5' RAIL 5 FRM ME ASSEMBLED	933	ME45-D4-54F	5	SRAIL5	12	30	30	60	40	60	20
ME45-D4-60-5A	5' RAIL 5 FRM ME ASSEMBLED	1008	ME45-D4-60F	5	SRAIL5	13	30	30	65	40	65	25
ME45-D4-66-5A	5' RAIL 5 FRM ME ASSEMBLED	1115	ME45-D4-66F	5	SRAIL5	15	30	30	75	50	75	25
ME45-D4-72-5A	5' RAIL 5 FRM ME ASSEMBLED	1161	ME45-D4-72F	5	SRAIL5	15	30	30	75	50	75	25
ME45-C4-54-5A	5' RAIL 5 FRM ME ASSEMBLED	922	ME45-C4-54F	5	SRAIL5	12	30	30	60	40	60	20
ME45-C4-60-5A	5' RAIL 5 FRM ME ASSEMBLED	997	ME45-C4-60F	5	SRAIL5	13	30	30	65	40	65	25
ME45-D5-18-5A	5' RAIL 5 FRM ME ASSEMBLED	469	ME45-D5-18F	5	SRAIL5	6	30	30	30	20	30	10
ME45-D5-20-5A	5' RAIL 5 FRM ME ASSEMBLED	478	ME45-D5-20F	5	SRAIL5	6	30	30	30	20	30	10
ME45-D5-24-5A	5' RAIL 5 FRM ME ASSEMBLED	500	ME45-D5-24F	5	SRAIL5	6	30	30	30	20	30	10
ME45-D5-30-5A	5' RAIL 5 FRM ME ASSEMBLED	551	ME45-D5-30F	5	SRAIL5	6	30	30	30	20	30	10
ME45-D5-36-5A	5' RAIL 5 FRM ME ASSEMBLED	686	ME45-D5-36F	5	SRAIL5	9	30	30	45	30	45	15
ME45-D5-42-5A	5' RAIL 5 FRM ME ASSEMBLED	742	ME45-D5-42F	5	SRAIL5	9	30	30	45	30	45	15
ME45-D5-48-5A	5' RAIL 5 FRM ME ASSEMBLED	818	ME45-D5-48F	5	SRAIL5	10	30	30	50	30	50	20
ME45-D5-54-5A	5' RAIL 5 FRM ME ASSEMBLED	1028	ME45-D5-54F	5	SRAIL5	12	30	30	60	40	60	20
ME45-D5-60-5A	5' RAIL 5 FRM ME ASSEMBLED	1115	ME45-D5-60F	5	SRAIL5	13	30	30	65	40	65	25
ME45-D5-66-5A	5' RAIL 5 FRM ME ASSEMBLED	1235	ME45-D5-66F	5	SRAIL5	15	30	30	75	50	75	25
ME45-D5-72-5A	5' RAIL 5 FRM ME ASSEMBLED	1294	ME45-D5-72F	5	SRAIL5	15	30	30	75	50	75	25
ME45-C5-54-5A	5' RAIL 5 FRM ME ASSEMBLED	936	ME45-C5-54F	5	SRAIL5	12	30	30	60	40	60	20
ME45-C5-60-5A	5' RAIL 5 FRM ME ASSEMBLED	1012	ME45-C5-60F	5	SRAIL5	13	30	30	65	40	65	25
ME45-D6-18-5A	5' RAIL 5 FRM ME ASSEMBLED	484	ME45-D6-18F	5	SRAIL5	6	30	30	30	20	30	10
ME45-D6-20-5A	5' RAIL 5 FRM ME ASSEMBLED	493	ME45-D6-20F	5	SRAIL5	6	30	30	30	20	30	10
ME45-D6-24-5A	5' RAIL 5 FRM ME ASSEMBLED	514	ME45-D6-24F	5	SRAIL5	6	30	30	30	20	30	10
ME45-D6-30-5A	5' RAIL 5 FRM ME ASSEMBLED	563	ME45-D6-30F	5	SRAIL5	6	30	30	30	20	30	10
ME45-D6-36-5A	5' RAIL 5 FRM ME ASSEMBLED	698	ME45-D6-36F	5	SRAIL5	9	30	30	45	30	45	15
ME45-D6-42-5A	5' RAIL 5 FRM ME ASSEMBLED	757	ME45-D6-42F	5	SRAIL5	9	30	30	45	30	45	15
ME45-D6-48-5A	5' RAIL 5 FRM ME ASSEMBLED	833	ME45-D6-48F	5	SRAIL5	10	30	30	50	30	50	20
ME45-D6-54-5A	5' RAIL 5 FRM ME ASSEMBLED	1044	ME45-D6-54F	5	SRAIL5	12	30	30	60	40	60	20
ME45-D6-60-5A	5' RAIL 5 FRM ME ASSEMBLED	1131	ME45-D6-60F	5	SRAIL5	13	30	30	65	40	65	25
ME45-D6-66-5A	5' RAIL 5 FRM ME ASSEMBLED	1251	ME45-D6-66F	5	SRAIL5	15	30	30	75	50	75	25
ME45-D6-72-5A	5' RAIL 5 FRM ME ASSEMBLED	1310	ME45-D6-72F	5	SRAIL5	15	30	30	75	50	75	25
ME45-C6-54-5A	5' RAIL 5 FRM ME ASSEMBLED	951	ME45-C6-54F	5	SRAIL5	12	30	30	60	40	60	20
ME45-C6-60-5A	5' RAIL 5 FRM ME ASSEMBLED	1027	ME45-C6-60F	5	SRAIL5	13	30	30	65	40	65	25



**CORPORATE OFFICE** • P.O. Box 287 • Pella, IA 50219  
800.247.1228 • 641.628.3115 • 641.628.3658 FAX