

WE KEEP IT MOVING®

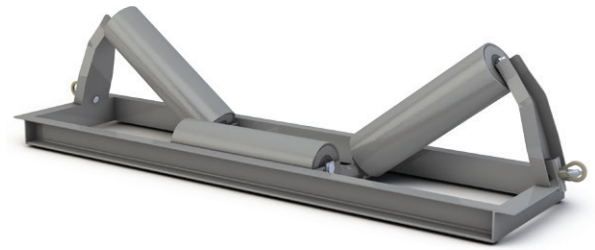
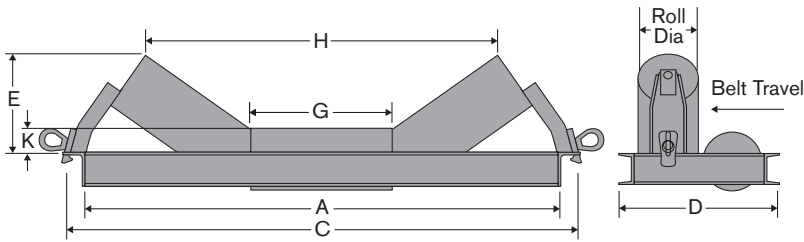
ENGINEERING & DIMENSIONS

IDLER STRUCTURE



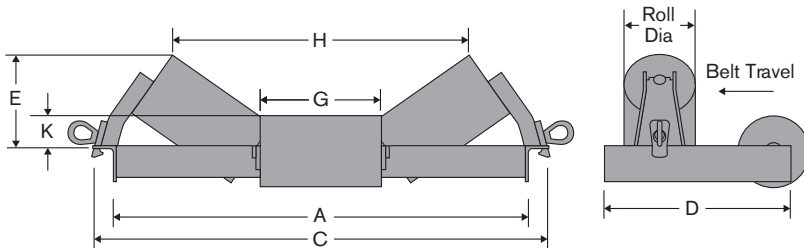
TABLE OF CONTENTS

3-4	Cema C Idlers
5-6	Cema D Idlers
7-8	Rigid Rail Structure Styles
9	Rigid Rail Floor Stands
10	Rigid Rail Spreader Bars
11	Channels and Accessories
12	Rigid Rail Drop Brackets
13	Catenary Idlers
14	Cema C Return Rolls - Catenary Structure
15	Catenary Floor Stands and Stringers



BOX FRAME 4", 5" & 6" OFFSET ROLLS

BELT WIDTH	ASSEMBLY PART #	ROLL DIA	A	C	D	E	G	H	K	WT
36	C4-35TEWRO-36SB	4	47.00	50.63	15.75	9.28	14.25	36.72	1.50	81.8
42	C4-35TEWRO-42SB	4	53.00	56.63	15.75	10.40	16.25	42.11	1.50	90.4
48	C4-35TEWRO-48SB	4	59.00	62.63	15.75	12.25	18.25	46.91	1.50	99.6
54	C4-35TEWRO-54SB	4	65.00	68.63	15.75	13.40	20.25	52.18	1.50	108.4
60	C4-35TEWRO-60SB	4	71.00	74.63	15.75	14.55	22.25	57.45	1.50	117.1
36	C5-35TEWRO-36SB	5	47.00	50.63	15.75	9.69	14.25	36.19	2.00	88.0
42	C5-35TEWRO-42SB	5	53.00	56.63	15.75	10.82	16.25	41.53	2.00	97.5
48	C5-35TEWRO-48SB	5	59.00	62.63	15.75	12.66	18.25	46.34	2.00	107.5
54	C5-35TEWRO-54SB	5	65.00	68.63	15.75	13.81	20.25	51.60	2.00	117.1
60	C5-35TEWRO-60SB	5	71.00	74.63	15.75	14.96	22.25	56.88	2.00	126.5
36	C6-35TEWRO-36SB	6	47.00	50.63	15.75	10.09	14.25	35.69	2.50	100.0
42	C6-35TEWRO-42SB	6	53.00	56.63	15.75	11.23	16.25	40.96	2.50	110.8
48	C6-35TEWRO-48SB	6	59.00	62.63	15.75	13.07	18.25	45.76	2.50	122.1
54	C6-35TEWRO-54SB	6	65.00	68.63	15.75	14.22	20.25	51.03	2.50	133.0
60	C6-35TEWRO-60SB	6	71.00	74.63	15.75	15.37	22.25	56.31	2.50	143.7

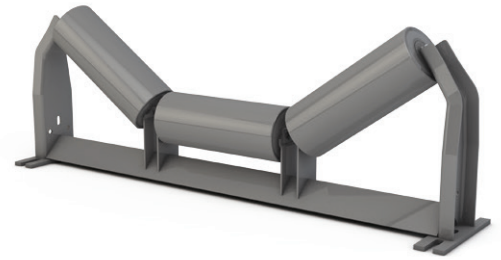
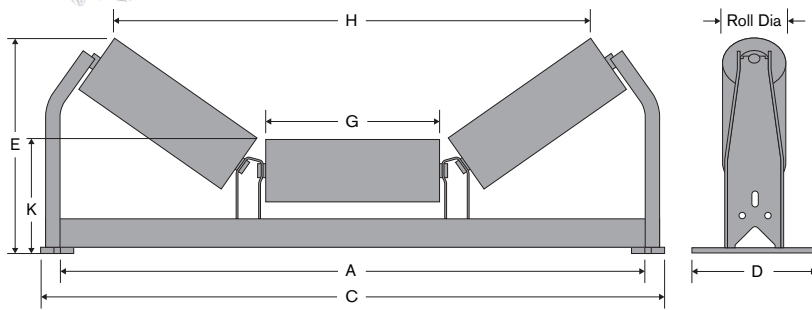


SINGLE BEAM 4", 5" & 6" OFFSET ROLLS

BELT WIDTH	ASSEMBLY PART #	ROLL DIA	A	C	D	E	G	H	K	WT
36	C4-35TEWO1-36SB	4	47.00	50.63	15.75	9.31	14.25	36.99	1.75	77.9
42	C4-35TEWO1-42SB	4	53.00	56.63	15.75	10.46	16.25	42.38	1.8	84.9
48	C4-35TEWO1-48SB	4	59.00	62.63	15.75	11.91	18.25	47.60	1.8	92.5
54	C4-35TEWO1-54SB	4	65.00	68.63	15.75	13.06	20.25	52.99	1.8	104.5
60	C4-35TEWO1-60SB	4	71.00	74.63	15.75	14.20	22.25	58.37	1.75	112.1
36	C5-35TEWO1-36SB	5	47.00	50.63	15.75	9.72	14.25	36.42	2.3	85.40
42	C5-35TEWO1-42SB	5	53.00	56.63	15.75	10.87	16.25	41.81	2.3	93.30
48	C5-35TEWO1-48SB	5	59.00	62.63	15.75	12.32	18.25	47.03	2.3	101.80
54	C5-35TEWO1-54SB	5	65.00	68.63	15.75	13.46	20.25	52.41	2.3	114.40
60	C5-35TEWO1-60SB	5	71.00	74.63	15.75	14.61	22.25	57.80	2.3	122.90
36	C6-35TEWO1-36SB	6	47.00	50.63	15.75	10.13	14.25	35.85	2.8	97.70
42	C6-35TEWO1-42SB	6	53.00	56.63	15.75	11.28	16.25	41.23	2.8	106.80
48	C6-35TEWO1-48SB	6	59.00	62.63	15.75	12.73	18.25	46.54	2.8	116.50
54	C6-35TEWO1-54SB	6	65.00	68.63	15.75	13.87	20.25	51.84	2.8	130.60
60	C6-35TEWO1-60SB	6	71.00	74.63	15.75	15.02	22.25	57.23	2.8	140.30

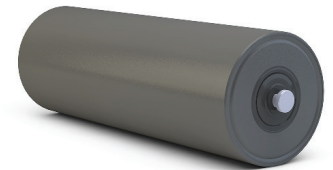
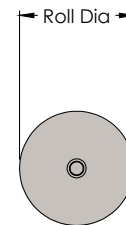
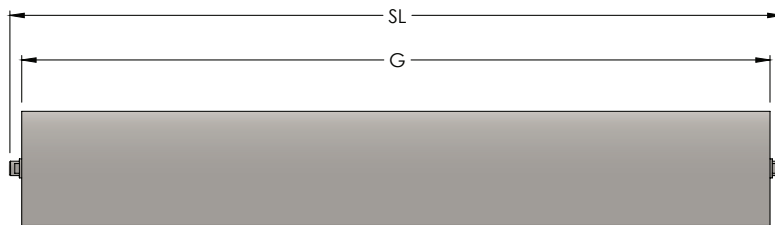
CEMA C IDLERS

BOX FRAME 4", 5" & 6" OFFSET ROLLS



CEMA C EQUAL TROUGHERS

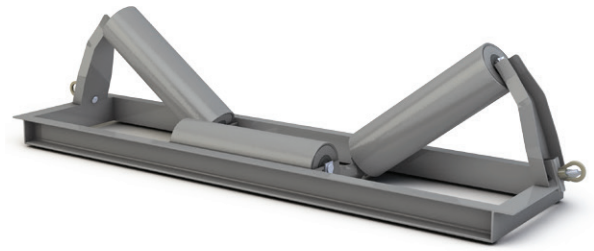
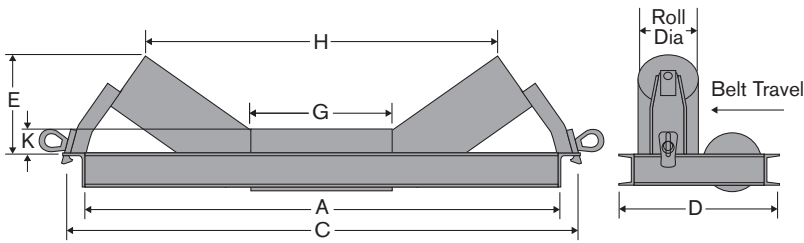
BELT WIDTH	ASSEMBLY PART #	ROLL DIA	A	C	D	E	G	H	K	WT
36	C4-35TE-36SB	4	45.00	47.50	9.50	15.98	13.25	36.48	8.22	59.2
42	C4-35TE-42SB	4	51.00	53.50	9.50	17.62	15.44	42.25	8.60	74.7
48	C4-35TE-48SB	4	57.00	59.50	9.50	18.87	17.63	48.03	8.60	82.5
54	C4-35TE-54SB	4	63.00	65.50	11.00	20.09	19.75	53.63	8.60	94.3
60	C4-35TE-60SB	4	69.00	71.50	11.00	21.24	21.75	58.91	8.60	101.4
36	C5-35TE-36SB	5	45.00	47.50	9.50	16.39	13.25	35.91	8.72	65.1
42	C5-35TE-42SB	5	51.00	53.50	9.50	18.03	15.44	41.68	9.10	81.5
48	C5-35TE-48SB	5	57.00	59.50	9.50	19.28	17.63	47.45	9.10	90.1
54	C5-35TE-54SB	5	63.00	65.50	11.00	20.50	19.75	53.06	9.10	102.8
60	C5-35TE-60SB	5	69.00	71.50	11.00	21.65	21.75	58.34	9.10	110.7
36	C6-35TE-36SB	6	45.00	47.50	9.50	17.80	13.25	35.34	9.22	76.4
42	C6-35TE-42SB	6	51.00	53.50	9.50	18.44	15.44	41.12	9.50	94.2
48	C6-35TE-48SB	6	57.00	59.50	9.50	19.69	17.63	46.88	9.60	104.3
54	C6-35TE-54SB	6	63.00	65.50	11.00	20.91	19.75	52.49	9.60	118.3
60	C6-35TE-60SB	6	69.00	71.50	10.94	22.06	21.75	57.76	9.60	127.5



RETURN ROLL 4", 5" & 6"

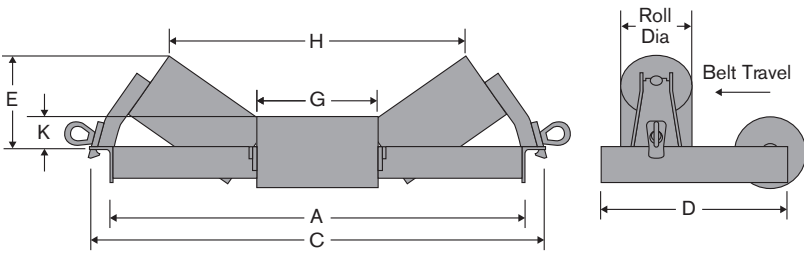
BELT WIDTH	PART #	ROLL DIA	G	SL	ASSEMBLY WEIGHT
36	C4-FL-42SB	4	45.375	46.625	30.61
42	C4-FL-48SB	4	51.375	52.625	34.42
48	C4-FL-54SB	4	57.375	58.625	38.23
54	C4-FL-60SB	4	63.375	64.625	42.04
60	C4-FL-66SB	4	69.375	70.625	45.85
36	C5-FL-42SB	5	45.375	46.625	37.29
42	C5-FL-48SB	5	51.375	52.625	41.88
48	C5-FL-54SB	5	57.375	58.625	46.47
54	C5-FL-60SB	5	63.375	64.625	51.06
60	C5-FL-66SB	5	69.375	70.625	55.65
36	C6-FL-42SB	6	45.375	46.625	46.59
42	C6-FL-48SB	6	51.375	52.625	52.28
48	C6-FL-54SB	6	57.375	58.625	57.98
54	C6-FL-60SB	6	63.375	64.625	63.67
60	C6-FL-66SB	6	69.375	70.625	69.36

Drop brackets on page 11
V>Returns available on request



BOX FRAME 5" & 6" OFFSET ROLLS

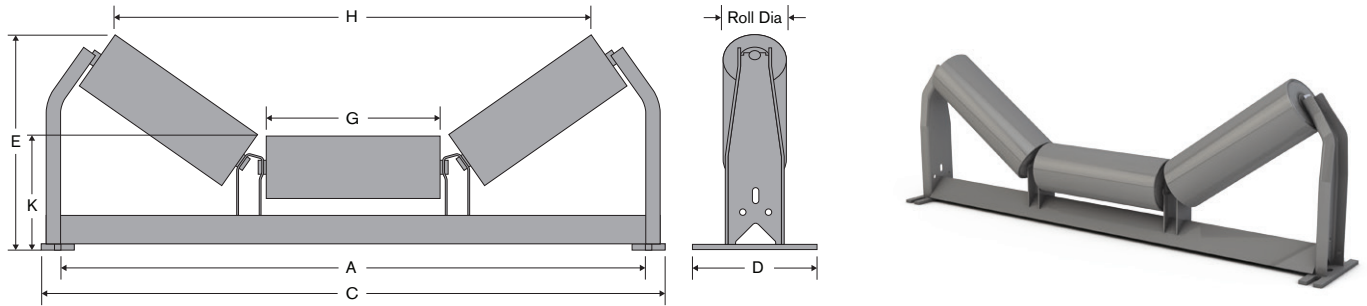
BELT WIDTH	ASSEMBLY PART #	ROLL DIA	A	C	D	E	G	H	K	WT
36	D5-35TEWRO-36SB	5	47.00	50.63	15.75	9.69	14.25	36.18	2.00	96.8
42	D5-35TEWRO-42SB	5	53.00	56.63	15.75	10.82	16.25	41.53	2.00	106.8
48	D5-35TEWRO-48SB	5	59.00	62.63	15.75	12.66	18.25	46.34	2.00	117.4
54	D5-35TEWRO-54SB	5	65.00	68.63	15.75	13.81	20.25	51.60	2.00	127.5
60	D5-35TEWRO-60SB	5	71.00	74.63	15.75	14.96	22.25	56.88	2.00	137.6
36	D6-35TEWRO-36SB	6	47.00	50.63	15.75	10.09	14.25	35.69	2.50	108.4
42	D6-35TEWRO-42SB	6	53.00	56.63	15.75	11.23	16.25	40.96	2.50	119.8
48	D6-35TEWRO-48SB	6	59.00	62.63	15.75	13.07	18.25	45.76	2.50	131.6
54	D6-35TEWRO-54SB	6	65.00	68.63	15.75	14.22	20.25	51.03	2.50	143.1
60	D6-35TEWRO-60SB	6	71.00	74.63	15.75	15.37	22.25	56.31	2.50	154.5



SINGLE BEAM 5" & 6" OFFSET ROLLS

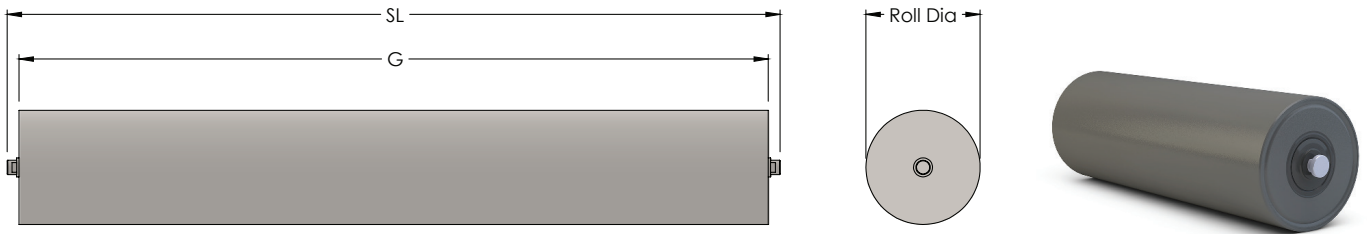
BELT WIDTH	ASSEMBLY PART #	ROLL DIA	A	C	D	E	G	H	K	WT
36	D5-35TEWO1-36SB	5	47.00	50.63	15.75	9.69	14.25	36.18	2.25	92.3
42	D5-35TEWO1-42SB	5	53.00	56.63	15.75	10.82	16.25	41.53	2.25	100.9
48	D5-35TEWO1-48SB	5	59.00	62.63	15.75	12.66	18.25	46.34	2.25	109.7
54	D5-35TEWO1-54SB	5	65.00	68.63	15.75	13.81	20.25	51.60	2.25	123.1
60	D5-35TEWO1-60SB	5	71.00	74.63	15.75	14.96	22.25	56.88	2.25	132.2
36	D6-35TEWO1-36SB	6	47.00	50.63	15.75	10.09	14.25	35.69	2.75	105.6
42	D6-35TEWO1-42SB	6	53.00	56.63	15.75	11.23	16.25	40.96	2.75	115.8
48	D6-35TEWO1-48SB	6	59.00	62.63	15.75	13.07	18.25	45.76	2.75	126.0
54	D6-35TEWO1-54SB	6	65.00	68.63	15.75	14.22	20.25	51.03	2.75	140.5
60	D6-35TEWO1-60SB	6	71.00	74.63	15.75	15.37	22.25	56.31	2.75	151.1

CEMA D IDLERS



CEMA D EQUAL TROUGHERS

BELT WIDTH	ASSEMBLY PART #	ROLL DIA	A	C	D	E	G	H	K	WT
36	D5-35TE-36SB	5	45.00	47.50	9.50	16.39	13.25	35.91	8.72	65.1
42	D5-35TE-42SB	5	51.00	53.50	9.50	18.03	15.44	41.68	9.10	81.5
48	D5-35TE-48SB	5	57.00	59.50	9.50	19.28	17.63	47.45	9.10	90.1
54	D5-35TE-54SB	5	63.00	65.50	11.00	20.50	19.75	53.06	9.10	102.8
60	D5-35TE-60SB	5	69.00	71.50	11.00	21.65	21.75	58.34	9.10	110.7
36	D6-35TE-36SB	6	45.00	47.50	9.50	17.80	13.25	35.34	9.22	76.4
42	D6-35TE-42SB	6	51.00	53.50	9.50	18.44	15.44	41.12	9.50	94.2
48	D6-35TE-48SB	6	57.00	59.50	9.50	19.69	17.63	46.88	9.60	104.3
54	D6-35TE-54SB	6	63.00	65.50	11.00	20.91	19.75	52.49	9.60	118.3
60	D6-35TE-60SB	6	69.00	71.50	10.94	22.06	21.75	57.76	9.60	127.5



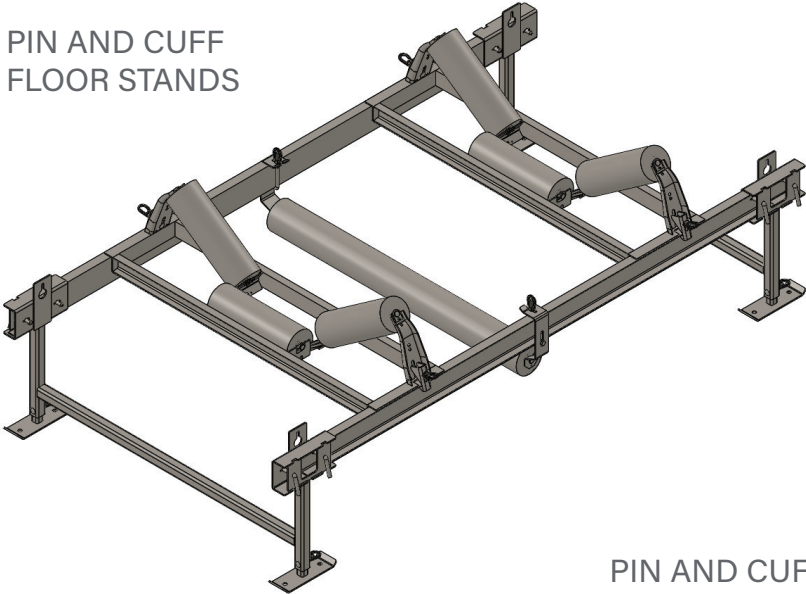
RETURN ROLL 5" & 6"

BELT WIDTH	PART #	ROLL DIA	G	SL	ASSEMBLY WEIGHT
36	D5-FL-42SB	5	45.375	46.625	42.47
42	D5-FL-48SB	5	51.375	52.625	50.04
48	D5-FL-54SB	5	57.375	58.625	52.82
54	D5-FL-60SB	5	63.375	64.625	57.99
60	D5-FL-66SB	5	69.375	70.625	79.10
36	D6-FL-42SB	6	45.375	46.625	53.15
42	D6-FL-48SB	6	51.375	52.625	62.02
48	D6-FL-54SB	6	57.375	58.625	66.11
54	D6-FL-60SB	6	63.375	64.625	72.69
60	D6-FL-66SB	6	69.375	70.625	95.00

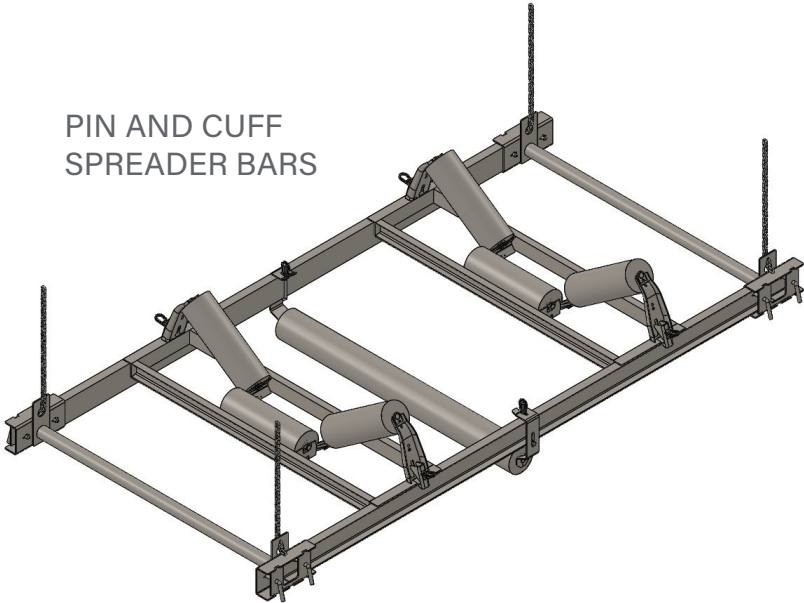
Drop brackets on page 12
V>Returns available on request

RIGID RAIL STRUCTURE STYLES

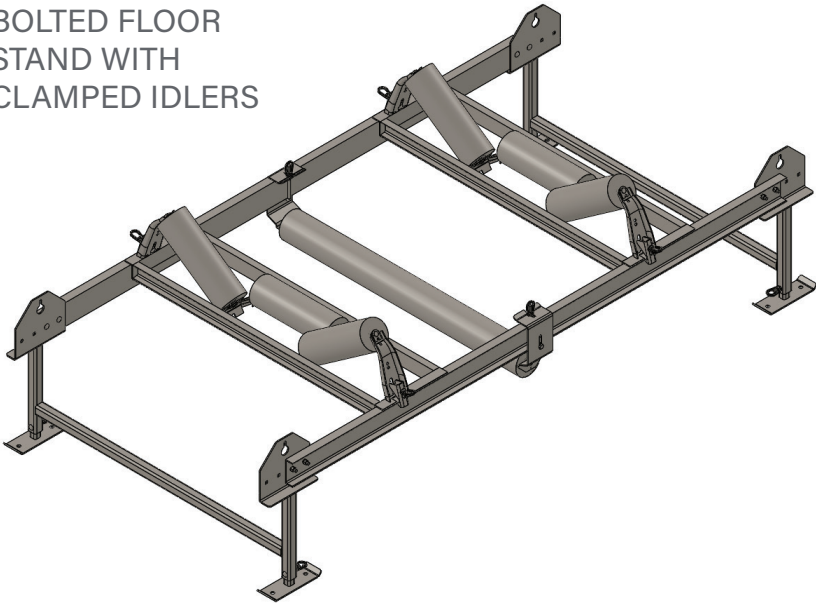
PIN AND CUFF
FLOOR STANDS



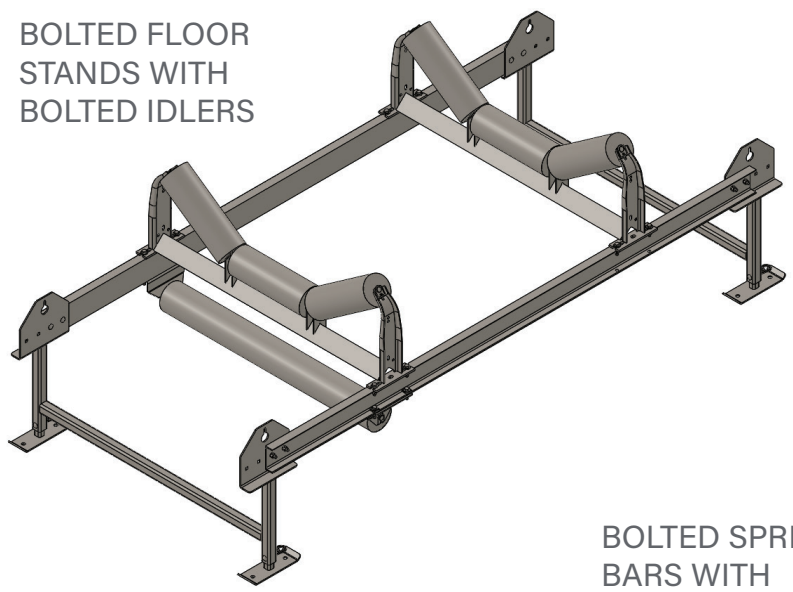
PIN AND CUFF
SPREADER BARS



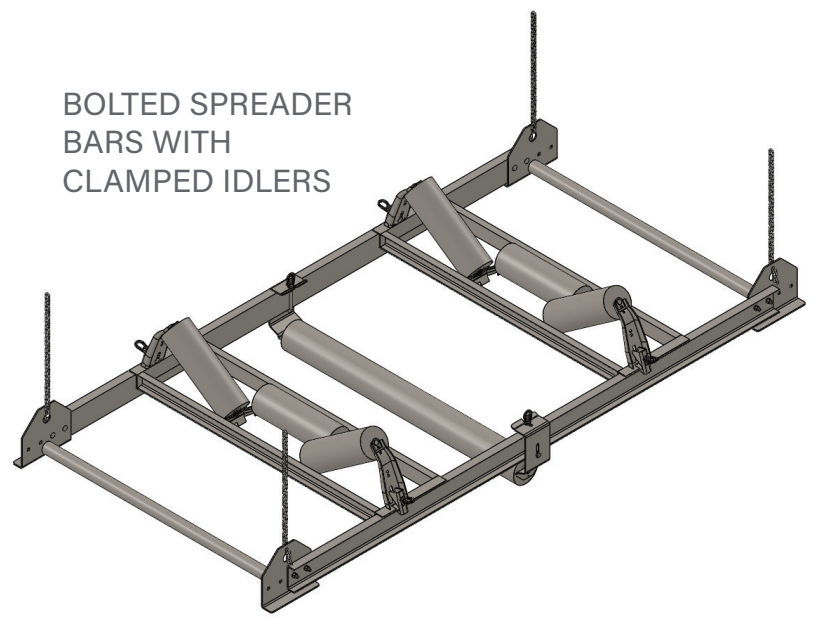
BOLTED FLOOR
STAND WITH
CLAMPED IDLERS



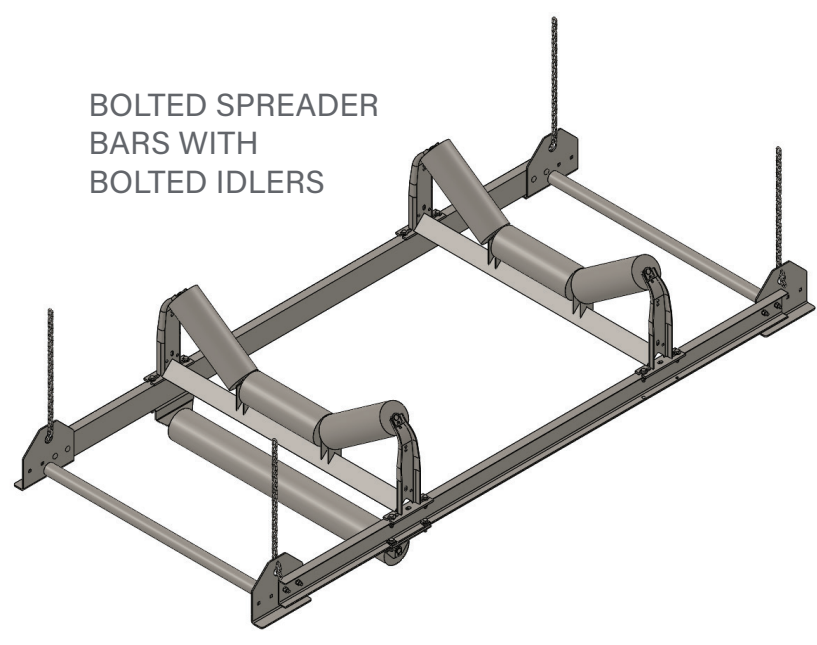
BOLTED FLOOR STANDS WITH BOLTED IDLERS



BOLTED SPREADER BARS WITH CLAMPED IDLERS



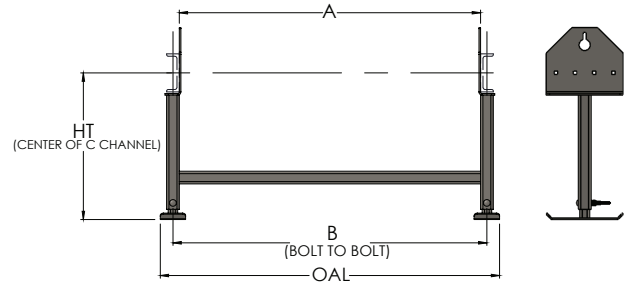
BOLTED SPREADER BARS WITH BOLTED IDLERS



RIGID RAIL FLOOR STANDS

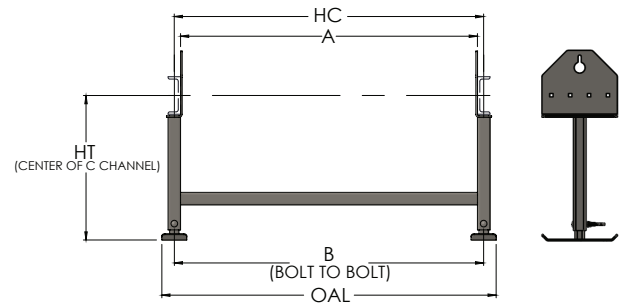
4", 5" & 6" C-CHANNEL FLOOR STAND BOLT ON CONNECTION FLOOR STANDS FOR CLAMPED IDLERS

PART #	CHANNEL SIZE	A DIM	B DIM	OAL DIM	HT DIM	WT
34211-36	4" & 5"	47.50	49.5	53.5	23.13-33.13	63.6
34211-42	4" & 5"	53.50	55.5	59.5	23.13-33.13	65.7
34211-48	4" & 5"	59.50	61.5	65.5	23.13-33.13	67.9
34211-54	4" & 5"	65.50	67.5	71.5	23.13-33.13	70.0
34211-60	4" & 5"	71.50	73.5	77.5	23.13-33.13	72.2
34211-66	4" & 5"	77.50	79.5	83.5	23.13-33.13	74.4
34211-72	4" & 5"	83.50	85.5	89.5	23.13-33.13	76.5
34170-36	6"	47.50	50.5	54.5	24.13-34.13	96.7
34170-42	6"	53.50	56.5	60.5	24.13-34.13	100.2
34170-48	6"	59.50	62.5	66.5	24.13-34.13	103.8
34170-54	6"	65.50	68.5	72.5	24.13-34.13	107.2
34170-60	6"	71.50	74.5	78.5	24.13-34.13	110.7
34170-66	6"	77.50	80.5	84.5	24.13-34.13	114.1
34170-72	6"	83.50	86.5	90.5	24.13-34.13	117.5



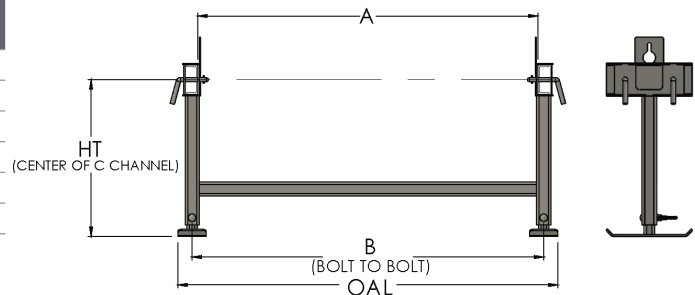
4" & 5" C-CHANNEL FLOOR STAND BOLT ON CONNECTION FLOOR STANDS FOR BOLTED IDLERS

PART #	CHANNEL SIZE	A DIM	B DIM	HC DIM	OAL DIM	HT DIM	WT
48641-36	4" & 5"	42.75	44.8	45.0	48.8	23.13-33.13	59.5
48641-42	4" & 5"	48.75	50.8	51.0	54.8	23.13-33.13	61.7
48641-48	4" & 5"	54.75	56.8	57.0	60.8	23.13-33.13	63.8
48641-54	4" & 5"	60.75	62.8	63.0	66.8	23.13-33.13	66.0
48641-60	4" & 5"	66.75	68.8	69.0	72.8	23.13-33.13	68.1
48641-66	4" & 5"	72.75	74.8	75.0	78.8	23.13-33.13	70.3
48641-72	4" & 5"	78.75	80.8	81.0	84.8	23.13-33.13	72.5



4" PIN AND CUFF FLOOR STAND PIN & CUFF CONNECTION FLOOR STANDS FOR CLAMPED IDLERS

PART #	CHANNEL SIZE	A DIM	B DIM	OAL DIM	HT DIM	WT
35195-36	4"	47.50	49.1	55.0	21.43-31.43	63.6
35195-42	4"	53.50	54.8	61.0	21.43-31.43	65.8
35195-48	4"	59.50	60.8	67.0	21.43-31.43	67.9
35195-54	4"	65.50	67.1	73.0	21.43-31.43	70.6
35195-60	4"	71.50	73.1	79.0	21.43-31.43	72.2
35195-66	4"	77.50	79.1	85.0	21.43-31.43	74.3
35195-72	4"	83.50	85.1	91.0	21.43-31.43	76.5

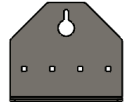
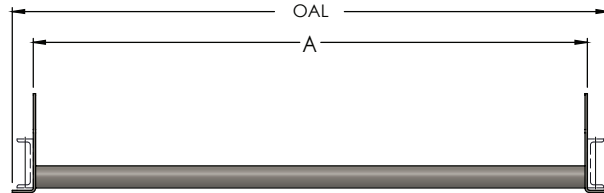


Heavy duty and custom floor stands available.

RIGID RAIL SPREADER BARS

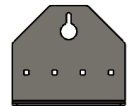
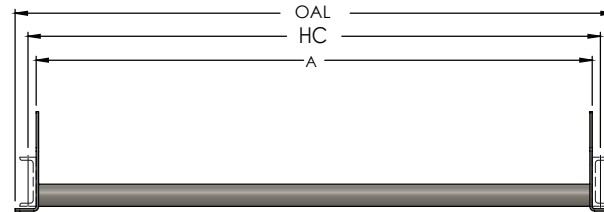
4", 5" & 6" C-CHANNEL SPREADER BAR BOLT ON CONNECTION SPREADER BAR FOR CLAMPED IDLERS

PART #	CHANNEL SIZE	A DIM	OAL DIM	WT
34218-36	4" & 5"	47.50	52.0	32.9
34218-42	4" & 5"	53.50	58.0	34.7
34218-48	4" & 5"	59.50	64.0	36.5
34218-54	4" & 5"	65.50	70.0	38.3
34218-60	4" & 5"	71.50	76.0	40.2
34218-66	4" & 5"	77.50	82.0	42.0
34218-72	4" & 5"	83.50	88.0	43.8
34178-36	6"	47.50	54.0	53.3
34178-42	6"	53.50	60.0	57.1
34178-48	6"	59.50	66.0	60.9
34178-54	6"	65.50	72.0	64.7
34178-60	6"	71.50	78.0	68.6
34178-66	6"	77.50	84.0	71.0
34178-72	6"	83.50	90.0	76.2



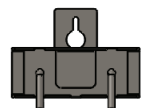
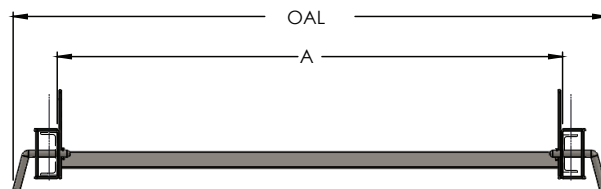
BOLT ON CONNECTION SPREADER BAR FOR BOLTED IDLERS

PART #	CHANNEL SIZE	A DIM	HC DIM	OAL DIM	WT
48785-36	4" & 5"	42.75	45.0	47.3	31.4
48785-42	4" & 5"	48.75	51.0	53.3	33.3
48785-48	4" & 5"	54.75	57.0	59.3	35.1
48785-54	4" & 5"	60.75	63.0	65.3	36.9
48785-60	4" & 5"	66.75	69.0	71.3	38.7
48785-66	4" & 5"	72.75	75.0	77.3	40.5
48785-72	4" & 5"	78.75	81.0	83.3	43.3



4" & 5" PIN CUFF SPREADER PIN & CUFF CONNECTION SPREADER BAR FOR CLAMPED IDLERS

PART #	CHANNEL SIZE	A DIM	OAL DIM	WT
35197-36	4"	47.50	55.0	28.5
35197-42	4"	53.50	61.0	29.7
35197-48	4"	59.50	67.0	30.9
35197-54	4"	65.50	73.0	32.2
35197-60	4"	71.50	79.0	33.4
35197-66	4"	77.50	85.0	34.6
35197-72	4"	83.50	91.0	35.8
48580-36	5"	47.50	55.0	42.5
48580-42	5"	53.50	61.0	44.4
48580-48	5"	59.50	67.0	46.2
48580-54	5"	65.50	73.0	47.8
48580-60	5"	71.50	79.0	49.6
48580-66	5"	77.50	85.0	51.5
48580-72	5"	83.50	91.0	53.3



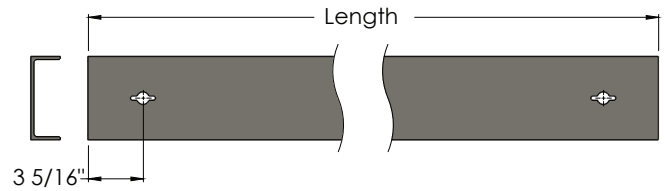
Heavy duty and custom floor stands available.

CHANNELS AND ACCESSORIES

PIN & CUFF C-CHANNEL

PART #	CHANNEL SIZE	LENGTH	WT
35198-10	C4 x 5.4 Channel	10 ft	42.70
48564-08	C5 x 6.7 Channel	8 ft	42.00
48564-10	C5 x 6.7 Channel	10 ft	52.50

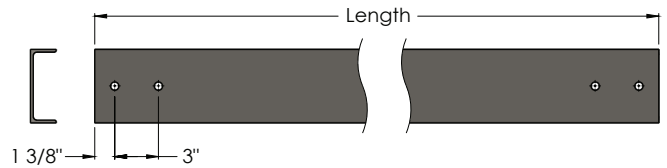
Other lengths and sizes available



CLAMP ON IDLER C-CHANNEL

PART #	CHANNEL SIZE	LENGTH	WT
34282-08A	C4 x 5.4 Channel	8 ft	34.40
34282-10A	C4 x 5.4 Channel	10 ft	43.00
34247-08A	C5 x 6.7 Channel	8 ft	42.30
34247-10A	C5 x 6.7 Channel	10 ft	52.90
34248-08A	C6 x 8.2 Channel	8 ft	94.80
34248-10A	C6 x 8.2 Channel	10 ft	118.60

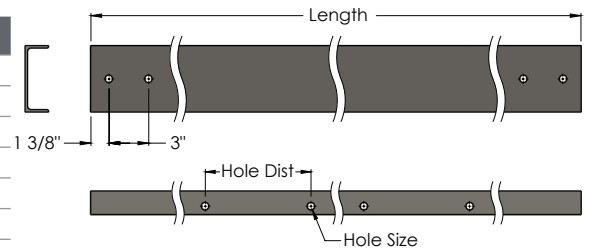
Other lengths and sizes available



BOLT ON IDLER C-CHANNEL

PART #	CHANNEL SIZE	HOLE SIZE	HOLE DIST	LENGTH	WT
34282-08B	C4 x 5.4 Channel	9/16	8.00	8 ft	34.15
34282-10B	C4 x 5.4 Channel	9/16	8.00	10 ft	42.75
34247-08B	C5 x 6.7 Channel	9/16	8.00	8 ft	42.10
34247-10B	C5 x 6.7 Channel	9/16	8.00	10 ft	52.80
34248-08B	C6 x 8.2 Channel	9/16	8.00	8 ft	94.50
34248-10B	C6 x 8.2 Channel	9/16	8.00	10 ft	118.34

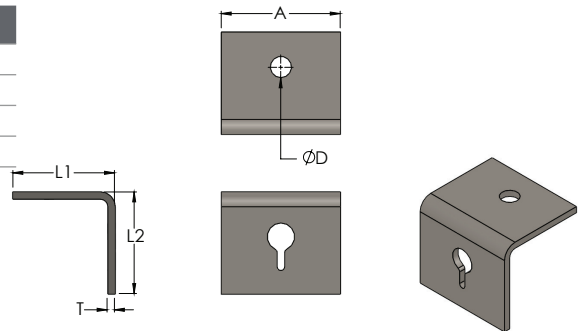
Other lengths and sizes available



ROOF BRACKETS

PART #	A	DIA D	T	L1	L2	CHAIN
36567-012	6.00	0.812	0.375	5.125	5.125	5/16"
36567-100	6.00	1.062	0.375	5.125	5.125	5/16"
36567-102	6.00	1.188	0.375	5.125	5.125	5/16"
36567-104	6.00	1.313	0.375	5.125	5.125	5/16"
48645-110	8.00	1.688	0.500	6.000	6.000	1/2"

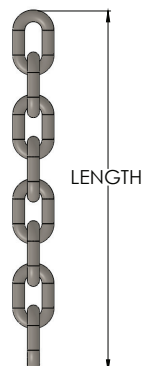
Custom roof brackets available



CHAIN

PART #	SIZE	GRADE	LENGTH
525125	1/4"	30	5'
525127	5/16"	30	5'
525129	3/8"	30	5'

Other grades and lengths available



RIGID RAIL DROP BRACKETS

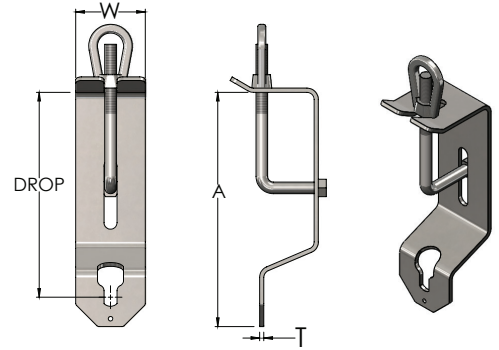
STANDARD - CLAMP ON

CEMA C DROP BRACKETS

PART #	DROP	A	W	T	WT	CHANNEL SIZE
34283A#-08.75	8.75"	10.10	3	0.18	2.75	3", 4", 5"
34283A#-09	9"	10.35	3	0.18	2.79	3", 4", 5"
34283A#-10	10"	11.34	3	0.18	2.94	3", 4", 5"
34283A#-12	12"	13.34	3	0.18	3.25	3", 4", 5"

CEMA D DROP BRACKETS

PART #	DROP	A	W	T	WT	CHANNEL SIZE
34249A#-08.75	8.75"	10.03	5.88	0.18	4.96	3", 4", 5"
34249A#-09	9"	10.28	5.88	0.18	5.03	3", 4", 5"
34249A#-10	10"	11.27	5.88	0.18	5.33	3", 4", 5"
34249A#-12	12"	13.27	5.88	0.18	5.94	3", 4", 5"
34249A#-14	14"	15.27	5.88	0.18	6.55	3", 4", 5"



Add channel size after the "A" in the part number to designate channel size:
 Example 34283A4-08.75 designates 4" structure channel

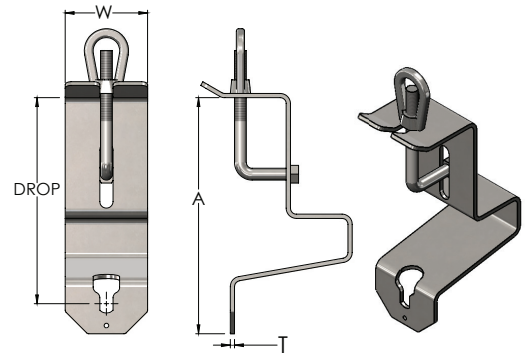
BELT SAVER - CLAMP ON

CEMA C DROP BRACKETS

PART #	DROP	A	W	T	WT	CHANNEL SIZE
48648A#-08.75	8.75"	10.03	3.5	0.18	3.20	3" & 4"
48648A#-09	9"	10.28	3.5	0.18	3.25	3" & 4"
48648A#-10	10"	11.27	3.5	0.18	3.42	3" & 4"
48648A#-12	12"	13.27	3.5	0.18	3.77	3" & 4"

CEMA D DROP BRACKETS

PART #	DROP	A	W	T	WT	CHANNEL SIZE
48649A#-09	9"	10.27	5.88	0.18	8.35	4" & 5"
48649A#-10	10"	11.27	5.88	0.18	8.75	4" & 5"
48649A#-12	12"	13.27	5.88	0.18	12.39	4" & 5"
48649A#-14	14"	15.27	5.88	0.18	14.39	4" & 5"

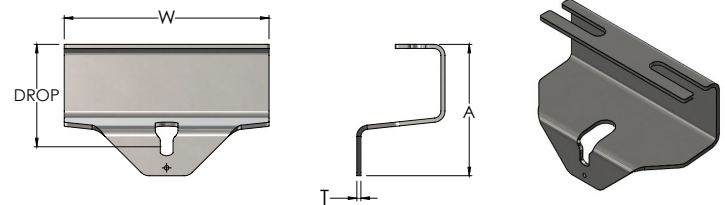


Add channel size after the "A" in the part number to designate channel size:
 Example 48648A4-08.75 designates 4" structure channel

BELT SAVER - BOLT ON

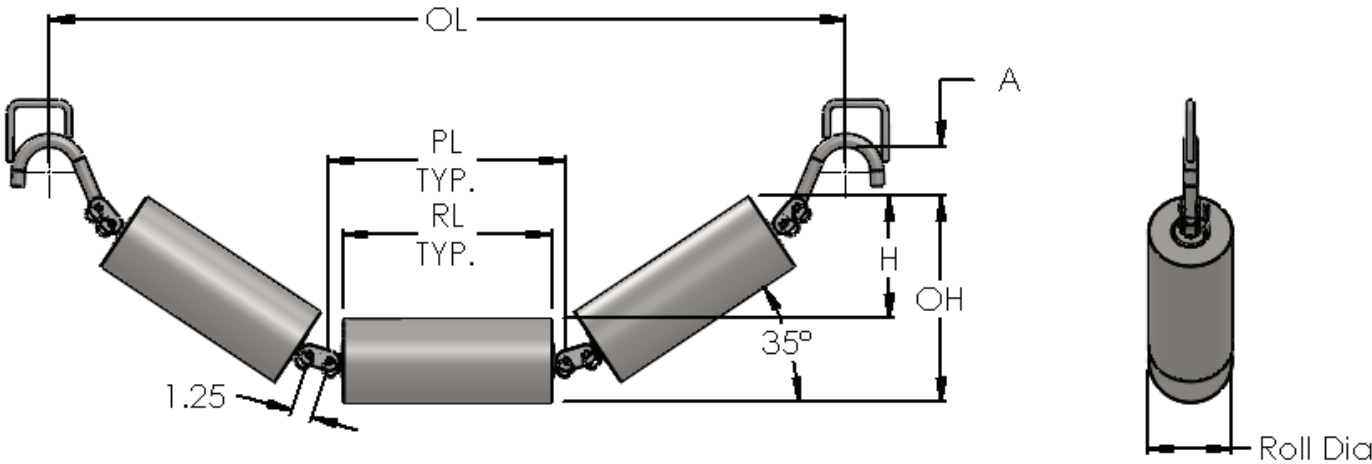
CEMA C/D DROP BRACKETS

PART #	DROP	A	W	T	WT
14207	4.5"	5.78	9	0.18	4.0
14207-5.000	5.0"	6.28	9	0.18	4.1
14208	6.0"	7.28	9	0.18	4.7
14204	7.0"	8.28	9	0.18	5.1
14207-8.000	8.0"	9.28	9	0.18	5.5
14207-9.000	9.0"	10.28	9	0.18	6.0



Custom drop brackets available.

CATENARY IDLERS

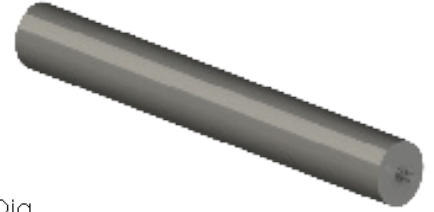
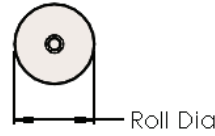
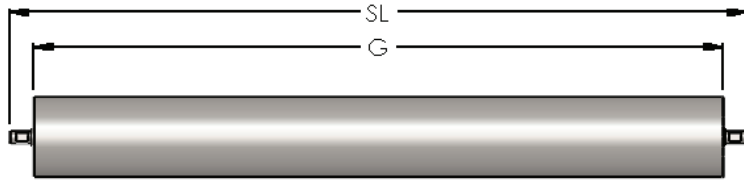


CEMA C CATENARY IDLERS-SBH HOOK

BELT WIDTH	ASSEMBLY PART #	ROLL DIA	A	OL	H	OH	RL	PL	WT
24	C4-CAT-24SBH	4	3.88	35.72	5.58	9.58	8.50	10.18	25.6
30	C4-CAT-30SBH	4	3.63	41.72	6.52	10.52	10.50	12.18	29.6
36	C4-CAT-36SBH	4	3.41	47.72	7.40	11.40	12.50	14.18	33.4
42	C4-CAT-42SBH	4	3.20	53.72	8.22	12.22	14.50	16.18	37.1
48	C4-CAT-48SBH	4	6.01	59.72	9.84	13.84	16.50	18.18	41.9
54	C4-CAT-54SBH	4	5.84	65.72	10.73	14.73	18.50	20.18	45.7
60	C4-CAT-60SBH	4	5.68	79.72	11.58	15.58	20.50	22.18	49.0
24	C5-CAT-24SBH	5	3.48	35.72	5.48	10.48	8.50	10.18	31.7
30	C5-CAT-30SBH	5	3.22	41.72	6.43	11.43	10.50	12.18	36.3
36	C5-CAT-36SBH	5	2.99	47.72	7.32	12.32	12.50	14.18	41.0
42	C5-CAT-42SBH	5	2.78	53.72	8.14	13.14	14.50	16.18	45.1
48	C5-CAT-48SBH	5	5.60	59.72	9.76	14.76	16.50	18.18	51.0
54	C5-CAT-54SBH	5	5.42	65.72	10.65	15.65	18.50	20.18	55.1
60	C5-CAT-60SBH	5	5.26	79.72	11.504	16.50	20.50	22.18	59.7
24	C6-CAT-24SBH	6	3.08	35.72	5.38	11.38	8.50	10.18	40.0
30	C6-CAT-30SBH	6	2.81	41.72	6.34	12.34	10.50	12.18	46.0
36	C6-CAT-36SBH	6	2.57	47.72	7.23	13.23	12.50	14.18	52.2
42	C6-CAT-42SBH	6	2.36	53.72	8.07	14.07	14.50	16.18	57.9
48	C6-CAT-48SBH	6	5.18	59.72	9.67	15.67	16.50	18.18	64.5
54	C6-CAT-54SBH	6	5.01	65.72	10.56	16.56	18.50	20.18	70.5
60	C6-CAT-60SBH	6	4.83	79.72	11.42	17.42	20.50	22.18	76.5

Other variations available

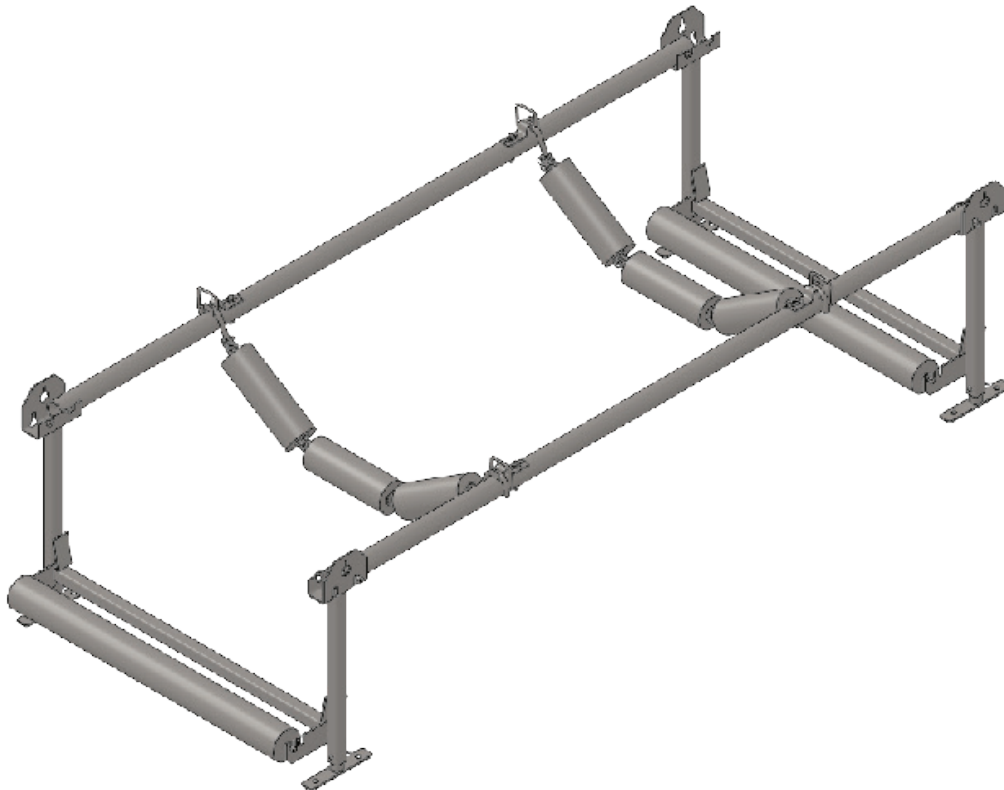
CEMA C RETURN ROLLS - CATENARY STRUCTURE



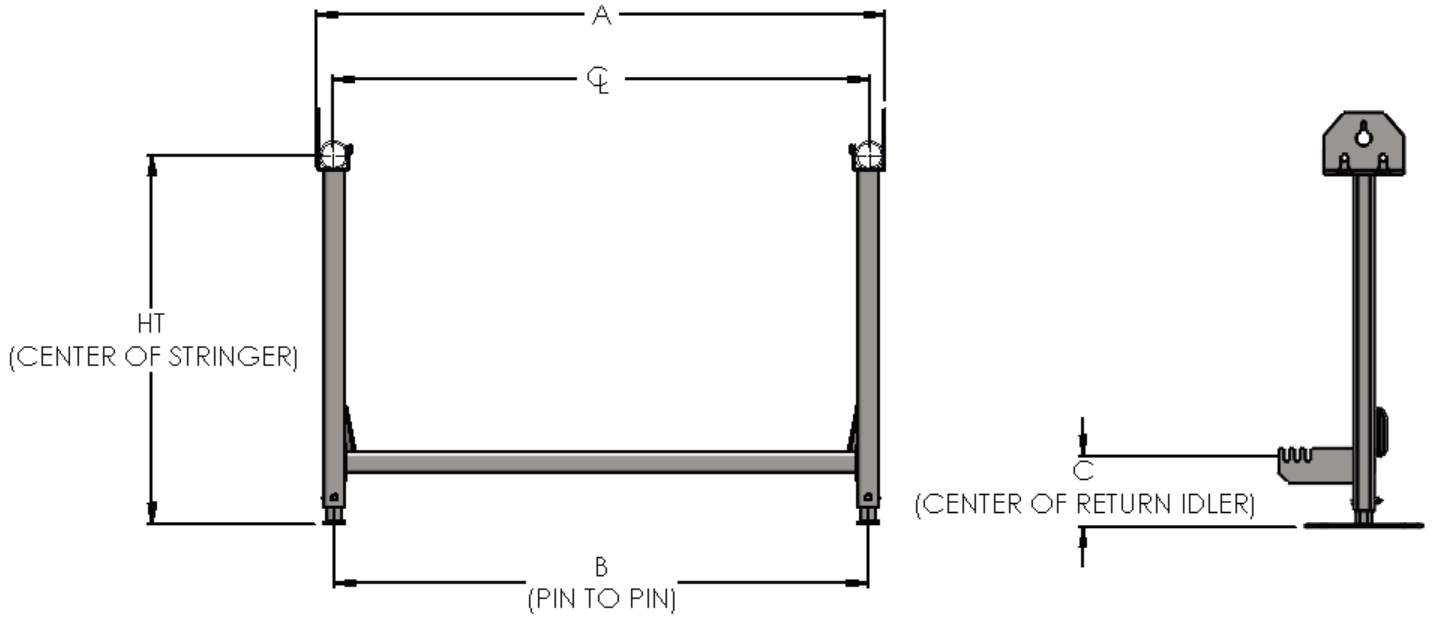
5" CATENARY RETURN ROLLS

BELT WIDTH	PART #	ROLL DIA	G	SL	ASSEMBLY WEIGHT
24	C5-UGFL-32.000	5	32.00	35.00	26.9
30	C5-UGFL-38.000	5	38.00	41.00	31.5
36	C5-UGFL-44.000	5	44.00	47.00	36.0
42	C5-UGFL-50.000	5	50.00	53.00	40.6
48	C5-UGFL-56.000	5	56.00	59.00	45.1
54	C5-UGFL-62.000	5	62.00	65.00	49.7
60	C5-UGFL-68.000	5	68.00	71.00	54.3

Other variations available

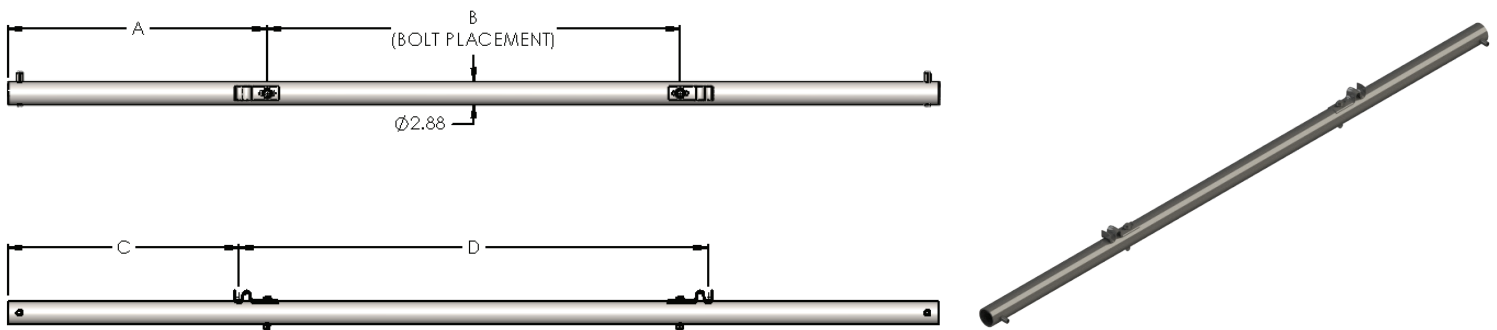


CATENARY FLOOR STANDS AND STRINGERS



BELT WIDTH	ASSEMBLY PART #	A DIM	B DIM	C DIM	HT DIM	∅ DIM	WT
24	TD500-24	38.99	35.50	7.06-27.06	31.43-51.43	35.72	62.6
30	TD500-30	44.99	41.50	7.06-27.06	31.43-51.43	41.72	64.7
36	TD500-36	50.99	47.50	7.06-27.06	31.43-51.43	47.72	66.9
42	TD500-42	56.99	53.50	7.06-27.06	31.43-51.43	53.72	69.0
48	TD500-48	62.99	59.50	7.06-27.06	36.93-56.93	59.72	75.1
54	TD500-54	68.99	65.50	7.06-27.06	36.93-56.93	65.72	77.3
60	TD500-60	74.99	71.50	7.06-27.06	36.93-56.93	71.72	79.4

Other variations available



STRINGER LEGNTH	PART #	A	B	C	D	ASSEMBLY WEIGHT
8	TD157C-08	27.10	40.81	23.50	48.00	47.6
10	TD157C-10	33.10	52.81	29.50	60.00	59.1

Other variations available



PPI[®]

WWW.PPI-GLOBAL.COM | SALES@PPI-GLOBAL.COM

Product shown are for illustrative purposes only and may display optional accessories or components. Please contact your sales representative for more information on product specifications. PPI respectively reserves the right to make changes in engineering, design and specifications; add improvements; or discontinue manufacturing at any time without notice obligation.

PPI and its respective logos are trademarks of Precision, Inc. in the US and or other counties.