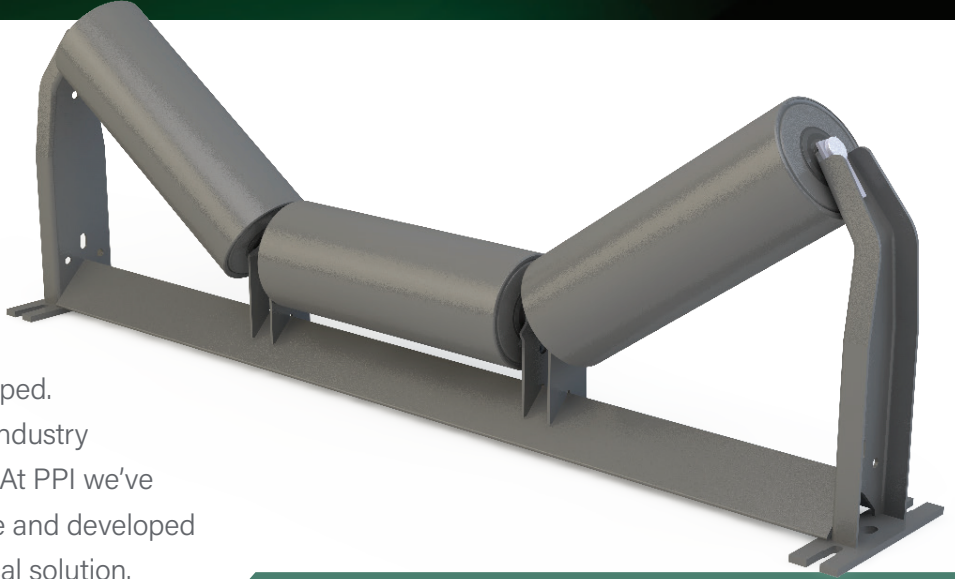


# PRO IDLERS

## A WHOLE NEW CLASS OF IDLERS

### PPI'S PERSPECTIVE

Idler specifications in the conveying industry have often dictated to manufacturers how to build an idler roll based on a load rating that decreases as belt widths increase. As the industry has evolved, these specifications have left room for more efficient designs to be developed. Old specifications have been the "norm" in the industry and have been readily accepted by consumers. At PPI we've taken our 40 plus years of conveying experience and developed the **PRO Idler** series as a reliable and economical solution.



- Tell us the **MATERIAL** you're conveying
- Tell us your **BELT WIDTH**
- Tell us your **BELT SPEED**

\*based on 4' troughing idler spacing

### IDLER SELECTION MADE EASY

PPI has pioneered a new approach to how idlers are designed into complex conveyor systems. Our team of engineers designed the **PRO Idler** Series by reviewing material weights and developed a class of idlers engineered to meet your unique conveying applications.

**2 YEAR STANDARD WARRANTY**

### PEACE OF MIND

Rest easy knowing you're purchasing an idler that has been engineered to meet the needs of your application. PPI is backing up our engineering with a two year warranty on our **PRO Idler**.

Using **Pro Idlers** helps ensure you have the exact idler you need. In some cases traditional rating methods result in idlers being over designed for the application, costing you money. Check out these real life cost savings:

#### REAL EXAMPLE 1

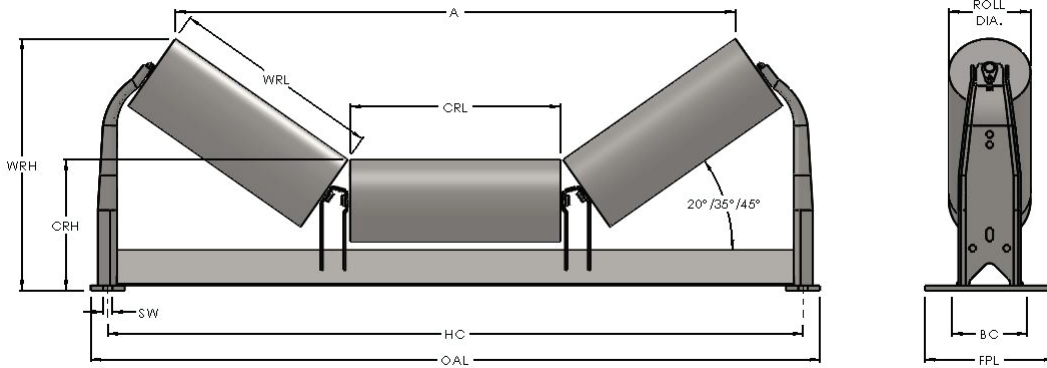
Traditional rating = \$734,000  
Pro Idler = **\$543,000**

#### REAL EXAMPLE 2

Traditional rating = \$1,100,000  
Pro Idler = **\$812,000**



# 110 SERIES EQUAL TROUGHING IDLER



## 20° EQUAL TROUGHING IDLER

BELT WIDTH	PART NUMBER	ROLL DIA.	HC	BC	SW	OAL	FPL	WRH	CRH	CRL/WRL	A	WT.	REPLACEMENT ROLL PART #	WT.
18	11050020E18	5	27	5.56	0.56	29.00	8.00	9.85	7.51	6.750	20.47	30	3350006750	5.9
24	11050020E24	5	33	5.56	0.56	35.00	8.00	10.60	7.51	8.938	26.77	36	3350008938	7.3
30	11050020E30	5	39	5.56	0.56	41.00	8.00	11.35	7.51	11.125	33.07	42	3350011125	8.7
36	11050020E36	5	45	5.56	0.56	47.00	8.00	12.08	7.51	13.250	39.19	50	3450013250	12.6
42	11060020E42	6	51	5.50	0.69	53.50	9.50	14.88	9.60	15.438	45.38	94	4560015438	18.6
48	11060020E48	6	57	5.50	0.69	59.50	9.50	15.63	9.60	17.625	51.68	105	4560017625	20.7
54	11060020E54	6	63	7.00	0.69	65.50	11.00	16.71	9.95	19.750	57.80	120	4560019750	22.8
60	11060020E60	6	69	7.00	0.69	71.50	11.00	17.41	9.98	21.750	63.56	150	5660021750	31.1
66	11070020E66	7	75	8.50	0.81	75.00	12.00	20.21	11.94	23.750	70.30	206	6770023750	42.0
72	11070020E72	7	81	8.50	0.81	85.56	12.00	20.99	12.03	25.750	76.06	282	7870025750	50.4

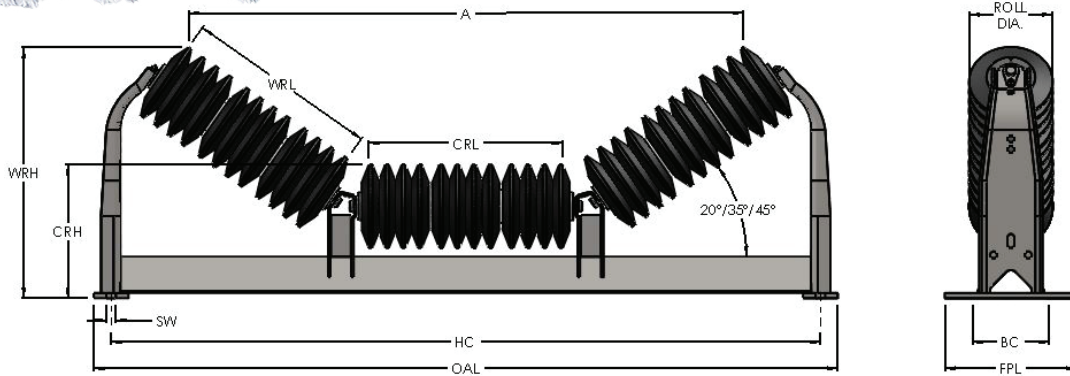
## 35° EQUAL TROUGHING IDLER

BELT WIDTH	PART NUMBER	ROLL DIA.	HC	BC	SW	OAL	FPL	WRH	CRH	CRL/WRL	A	WT.	REPLACEMENT ROLL PART #	WT.
18	11050035E18	5	27	5.56	0.56	29.00	8.00	11.39	7.53	6.750	18.46	31	3350006750	5.9
24	11050035E24	5	33	5.56	0.56	35.00	8.00	12.64	7.53	8.938	24.23	37	3350008938	7.3
30	11050035E30	5	39	5.56	0.56	41.00	8.00	13.90	7.53	11.125	30.00	43	3350011125	8.7
36	11050035E36	5	45	5.56	0.56	47.00	8.00	15.11	7.53	13.250	35.61	51	3450013250	12.6
42	11060035E42	6	51	5.50	0.69	53.50	9.50	18.45	9.60	15.438	41.09	97	4560015438	18.6
48	11060035E48	6	57	5.50	0.69	59.50	9.50	19.70	9.60	17.625	46.86	107	4560017625	20.7
54	11060035E54	6	63	5.75	0.69	65.50	11.00	21.28	9.95	19.750	52.47	126	4560019750	22.8
60	11060035E60	6	69	7.00	0.69	71.50	11.00	22.44	9.98	21.750	57.76	154	5660021750	31.1
66	11070035E66	7	75	8.50	0.81	75.00	12.00	25.63	11.94	23.750	63.29	210	6770023750	42.0
72	11070035E72	7	81	8.50	0.81	83.50	12.00	26.88	12.03	25.750	68.57	285	7870025750	50.4

## 45° EQUAL TROUGHING IDLER

BELT WIDTH	PART NUMBER	ROLL DIA.	HC	BC	SW	OAL	FPL	WRH	CRH	CRL/WRL	A	WT.	REPLACEMENT ROLL PART #	WT.
18	11050045E18	5	27	5.56	0.56	29.00	8.00	12.32	7.53	6.750	16.62	31	3350006750	5.9
24	11050045E24	5	33	5.56	0.56	35.00	8.00	13.87	7.53	8.938	21.90	37	3350008938	7.3
30	11050045E30	5	39	5.56	0.56	41.00	8.00	15.42	7.53	11.125	27.18	44	3350011125	8.7
36	11050045E36	5	45	5.56	0.56	47.00	8.00	16.92	7.53	13.250	32.31	52	3450013250	12.6
42	11060045E42	6	51	5.50	0.69	53.50	9.50	20.55	9.60	15.438	37.66	99	4560015438	18.6
48	11060045E48	6	57	5.50	0.69	59.50	9.50	22.09	9.60	17.625	42.94	111	4560017625	20.7
54	11060045E54	6	63	5.75	0.69	65.50	11.00	23.95	9.95	19.750	48.07	128	4560019750	22.8
60	11060045E60	6	69	7.00	0.69	71.50	11.00	25.38	9.98	21.750	52.93	157	5660021750	31.1
66	11070045E66	7	75	8.50	0.81	77.50	12.00	28.79	11.94	23.750	57.79	212	6770023750	42.0
72	11070045E72	7	81	8.50	0.81	83.50	12.00	30.30	12.03	25.750	62.62	290	7870025750	50.4

# 110 SERIES EQUAL IMPACT TROUGHING IDLER



20° EQUAL IMPACT TROUGHING IDLER

BELT WIDTH	PART NUMBER	ROLL DIA.	HC	BC	SW	OAL	FPL	WRH	CRH	CRL/WRL	A	WT.	REPLACEMENT ROLL PART #	WT.
18	11050020EI18	5	27	5.56	0.56	29.00	8.00	9.60	7.51	5.25	19.06	39	3450006750TD	6.9
24	11050020EI24	5	33	5.56	0.56	35.00	8.00	10.35	7.51	7.44	25.36	50	3450008938TD	9.2
30	11050020EI30	5	39	5.56	0.56	41.00	8.00	11.09	7.51	9.63	31.66	60	3450011125TD	11.5
36	11050020EI36	5	45	5.56	0.56	47.00	8.00	11.82	7.51	11.75	37.78	68	3450013250TD	13.0
42	11060020EI42	6	51	5.50	0.69	53.50	9.50	14.62	9.60	13.94	43.97	123	4560015438TD	26.5
48	11060020EI48	6	57	5.50	0.69	59.50	9.50	15.37	9.60	16.13	50.27	138	4560017625TD	30.0
54	11060020EI54	6	63	7.00	0.69	65.50	11.00	16.45	9.95	18.25	56.39	159	4560019750TD	33.5
60	11060020EI60	6	69	7.00	0.69	71.50	11.00	17.39	9.98	21.75	63.45	206	5660021750TD	42.4
66	11070020EI66	7	75	8.50	0.81	77.50	12.00	20.21	11.94	23.750	70.30	285	6770023750TD	56.4
72	11070020EI72	7	81	8.50	0.81	85.56	12.00	20.99	12.03	25.75	76.06	459	7870025750TD	69.0

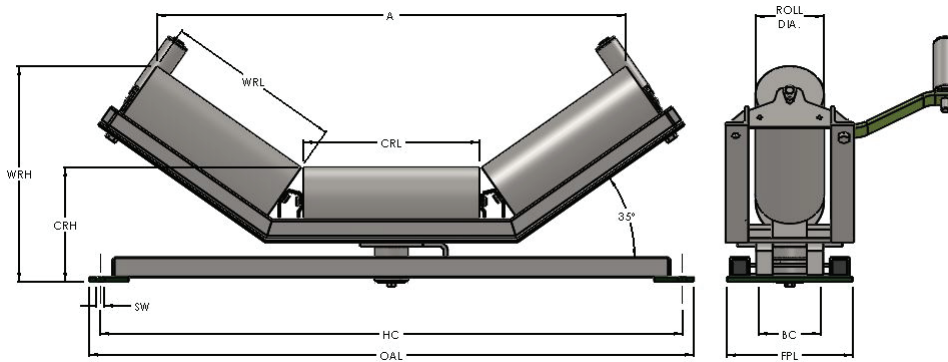
35° EQUAL IMPACT TROUGHING IDLER

BELT WIDTH	PART NUMBER	ROLL DIA.	HC	BC	SW	OAL	FPL	WRH	CRH	CRL/WRL	A	WT.	REPLACEMENT ROLL PART #	WT.
18	11050035EI18	5	27	5.56	0.56	29.00	8.00	10.96	7.53	5.25	17.23	40	3450006750TD	6.9
24	11050035EI24	5	33	5.56	0.56	35.00	8.00	12.21	7.53	7.44	23.00	51	3450008938TD	9.2
30	11050035EI30	5	39	5.56	0.56	41.00	8.00	13.46	7.53	9.63	28.78	61	3450011125TD	11.5
36	11050035EI36	5	45	5.56	0.56	47.00	8.00	14.68	7.53	11.75	34.38	69	3450013250TD	13.0
42	11060035EI42	6	51	5.50	0.69	53.50	9.50	18.02	9.60	13.94	39.86	126	4560015438TD	26.5
48	11060035EI48	6	57	5.50	0.69	59.50	9.50	19.27	9.60	16.13	45.63	141	4560017625TD	30.0
54	11060035EI54	6	63	5.75	0.69	65.50	11.00	20.85	9.95	18.25	51.24	165	4560019750TD	33.5
60	11060035EI60	6	69	7.00	0.69	71.50	11.00	22.41	9.98	21.75	57.66	210	5660021750TD	42.4
66	11070035EI66	7	75	8.50	0.81	77.50	12.00	25.63	11.94	23.750	63.29	290	6770023750TD	56.4
72	11070035EI72	7	81	8.50	0.81	83.50	12.00	26.88	12.03	25.75	68.57	464	7870025750TD	69.0

45° EQUAL IMPACT TROUGHING IDLER

BELT WIDTH	PART NUMBER	ROLL DIA.	HC	BC	SW	OAL	FPL	WRH	CRH	CRL/WRL	A	WT.	REPLACEMENT ROLL PART #	WT.
18	11050045EI18	5	27	5.56	0.56	29.00	8.00	11.79	7.53	5.25	15.56	41	3450006750TD	6.9
24	11050045EI24	5	33	5.56	0.56	35.00	8.00	13.34	7.53	7.44	20.84	51	3450008938TD	9.2
30	11050045EI30	5	39	5.56	0.56	41.00	8.00	14.89	7.53	9.63	26.12	62	3450011125TD	11.5
36	11050045EI36	5	45	5.56	0.56	47.00	8.00	16.39	7.53	11.75	31.25	70	3450013250TD	13.0
42	11060045EI42	6	51	5.50	0.69	53.50	9.50	20.02	9.60	13.94	36.60	128	4560015438TD	26.5
48	11060045EI48	6	57	5.50	0.69	59.50	9.50	21.56	9.60	16.13	41.88	146	4560017625TD	30.0
54	11060045EI54	6	63	5.75	0.69	65.50	11.00	23.42	9.95	18.25	47.01	168	4560019750TD	33.5
60	11060045EI60	6	69	7.00	0.69	71.50	11.00	25.34	9.98	21.75	52.84	213	5660021750TD	42.4
66	11070045EI66	7	75	8.50	0.81	77.50	12.00	28.79	11.94	23.750	57.79	295	6770023750TD	56.4
72	11070045EI72	7	81	8.50	0.81	83.50	12.00	30.30	12.03	25.75	62.62	471	7870025750TD	69.0

# 110 SERIES EQUAL SELF-ALIGNING IDLER



## 20° EQUAL SELF-ALIGNING IDLER

BELT WIDTH	PART NUMBER	ROLL DIA.	HC	BC	SW	OAL	FPL	WRH	CRH	CRL/ WRL	A	WT.	REPLACEMENT ROLL PART #	WT.
18	11050020ESA18	5	27	5.50	0.69	29.00	11.00	10.34	8.00	6.750	20.47	80	3350006750	5.9
24	11050020ESA24	5	33	5.50	0.69	35.00	11.00	11.09	8.00	8.938	26.77	89	3350008938	7.3
30	11050020ESA30	5	39	5.50	0.69	41.00	11.00	11.84	8.00	11.125	33.07	98	3350011125	8.7
36	11050020ESA36	5	45	5.50	0.69	47.00	11.00	12.57	8.00	13.250	39.19	114	3450013250	12.6
42	11060020ESA42	6	51	5.50	0.69	53.00	11.00	15.28	10.00	15.438	45.38	174	4560015438	18.6
48	11060020ESA48	6	57	5.50	0.69	59.00	11.00	16.03	10.00	17.625	51.68	189	4560017625	20.7
54	11060020ESA54	6	63	5.50	0.69	65.00	11.00	17.25	10.50	19.750	57.80	239	4560019750	22.8
60	11060020ESA60	6	69	5.50	0.69	71.50	11.00	17.41	9.98	21.750	63.56	263	5660021750	31.1
66	11070020ESA66	7	75	7.50	0.81	77.50	12.00	20.21	11.94	23.750	70.30	350	6770023750	42.0
72	11070020ESA72	7	81	7.50	0.81	83.50	16.00	21.11	12.15	25.750	76.06	416	7870025750	50.4

## 35° EQUAL SELF-ALIGNING IDLER

BELT WIDTH	PART NUMBER	ROLL DIA.	HC	BC	SW	OAL	FPL	WRH	CRH	CRL/ WRL	A	WT.	REPLACEMENT ROLL PART #	WT.
18	11050035ESA18	5	27	5.50	0.69	29.00	11.00	11.85	8.00	6.750	18.46	81	3350006750	5.9
24	11050035ESA24	5	33	5.50	0.69	35.00	11.00	13.11	8.00	8.938	24.23	91	3350008938	7.3
30	11050035ESA30	5	39	5.50	0.69	41.00	11.00	14.36	8.00	11.125	30.00	100	3350011125	8.7
36	11050035ESA36	5	45	5.50	0.69	47.00	11.00	15.58	8.00	13.250	35.61	115	3450013250	12.6
42	11060035ESA42	6	51	5.50	0.69	53.00	11.00	18.85	10.00	15.438	41.09	178	4560015438	18.6
48	11060035ESA48	6	57	5.50	0.69	59.00	11.00	20.11	10.00	17.625	46.86	194	4560017625	20.7
54	11060035ESA54	6	63	5.50	0.69	65.00	11.00	21.83	10.50	19.750	52.47	244	4560019750	22.8
60	11060035ESA60	6	69	5.50	0.69	71.50	11.00	22.44	9.98	21.750	57.76	268	5660021750	31.1
66	11070035ESA66	7	75	7.50	0.81	77.50	12.00	25.63	11.94	23.750	63.29	354	6770023750	42.0
72	11070035ESA72	7	81	7.50	0.81	83.50	16.00	27.00	12.15	25.750	68.57	420	7870025750	50.4

## 45° EQUAL SELF-ALIGNING IDLER

BELT WIDTH	PART NUMBER	ROLL DIA.	HC	BC	SW	OAL	FPL	WRH	CRH	CRL/ WRL	A	WT.	REPLACEMENT ROLL PART #	WT.
18	11050045ESA18	5	27	5.50	0.69	29.00	11.00	12.80	8.00	6.750	16.62	84	3350006750	5.9
24	11050045ESA24	5	33	5.50	0.69	35.00	11.00	14.34	8.00	8.938	21.90	93	3350008938	7.3
30	11050045ESA30	5	39	5.50	0.69	41.00	11.00	15.89	8.00	11.125	27.18	102	3350011125	8.7
36	11050045ESA36	5	45	5.50	0.69	47.00	11.00	17.39	8.00	13.250	32.31	118	3450013250	12.6
42	11060045ESA42	6	51	5.50	0.69	53.00	11.00	20.95	10.00	15.438	37.66	179	4560015438	18.6
48	11060045ESA48	6	57	5.50	0.69	59.00	11.00	22.49	10.00	17.625	42.94	194	4560017625	20.7
54	11060045ESA54	6	63	5.50	0.69	65.00	11.00	24.50	10.50	19.750	48.07	245	4560019750	22.8
60	11060045ESA60	6	69	5.50	0.69	71.50	11.00	25.38	9.98	21.750	52.93	272	5660021750	31.1
66	11070045ESA66	7	75	7.50	0.81	77.50	12.00	28.79	11.94	23.750	57.79	360	6770023750	42.0
72	11070045ESA72	7	81	7.50	0.81	83.50	16.00	30.41	12.15	25.750	62.62	425	7870025750	50.4



Product shown are for illustrative purposes only and may display optional accessories or components. Please contact your sales representative for more information on product specifications.

PPI respectively reserves the right to make changes in engineering, design and specifications; add improvements; or discontinue manufacturing at any time without notice obligation. PPI and its respective logos are trademarks of Precision, Inc. in the US and/or other countries.