

*WE KEEP IT MOVING<sup>®</sup>*

FEATURES & BENEFITS

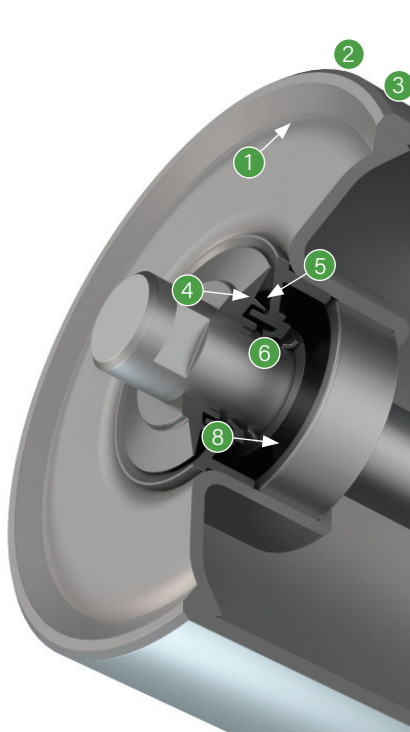
## **BELT CONVEYOR IDLERS**

## FEATURES

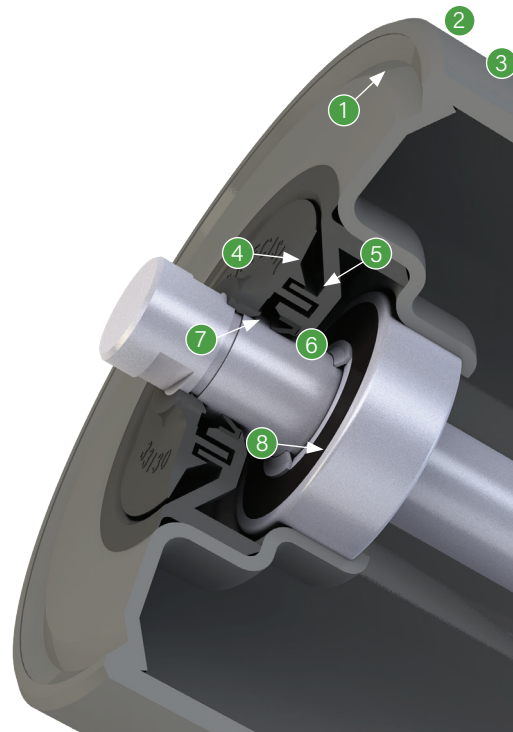
- Designed and manufactured for a long, trouble-free life
- Maintenance-free, high-quality sealed ball bearings
- Conforms to CEMA standards for dimensions and meets or exceeds series load ratings

## HIGHLIGHTS

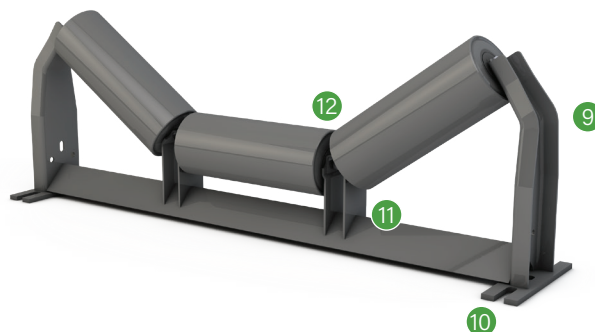
- 1 End bell to tube welds protected from belt wear by the full thickness of the tubing
- 2 Full thickness tubing for the length of the roll with additional wall thickness options available
- 3 Low Total Indicator Run-out (TIR) or run-out
- 4 Large diameter stationary outer seal
- 5 Highly-effective centrifugal seal
- 6 Effective radial and labyrinth seals
- 7 Long-lasting contact seal protected from the environment
- 8 High-quality ball bearing with manufacturer's contact seals and grease
- 9 Wide, heavy-duty formed end brackets
- 10 Tough foot pads for a solid base
- 11 Wide center brackets for heavy loads
- 12 Minimal roll gaps

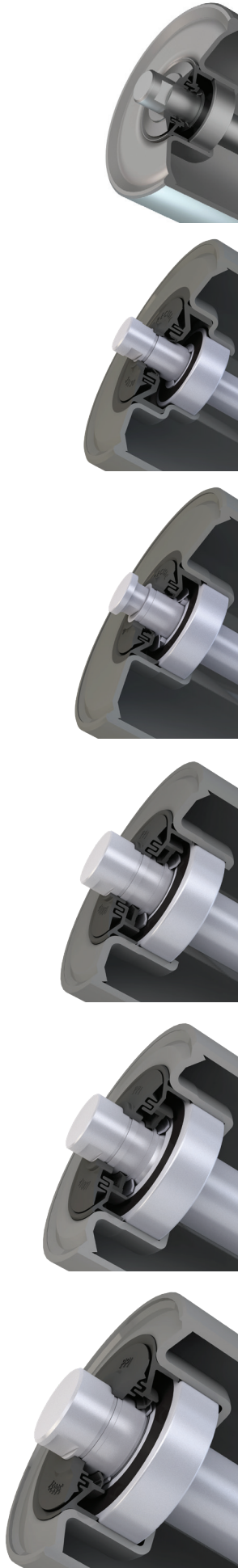


CEMA B



CEMA C, D, E, E+ and F





**CEMA B**  
6203 - 17mm (0.67in)  
17mm (0.67in)

BELT WIDTH	TROUGHING ANGLE			RETURN & FLAT	UNEQUAL	
	20°	35°	45°		20°	35°
18	410	410	410	220		
24	410	410	410	190	390	410
30	410	410	410	165	220	390
36	410	410	369	155	190	220
42	390	363	351	140	165	220
48	380	353	342	125	155	190

**CEMA C**  
P6204 - 19mm (0.75in) / 19mm (0.75in)

BELT WIDTH	TROUGHING ANGLE			RETURN & FLAT	TWO-ROLL V-RETURNS	UNEQUAL (Picking)	LIVE SHAFT
	20°	35°	45°				
18	900	900	900	475	500	475	1,200
24	900	900	900	325	500	475	1,200
30	900	900	900	250	500	475	1,200
36	900	837	810	200	500	325	1,200
42	850	791	765	150	500	250	1,100
48	800	744	720	125	500	200	1,000
54	750	698	675	CEMA D	500	150	875
60	700	650	630	CEMA D	500	125	780
66				CEMA D	500		

**CEMA D**  
6305 - 25mm (0.98in) / 25.4mm (1.00in)

18	1,200	1,200	1,200	600	850	600	1,400
24	1,200	1,200	1,200	600	850	600	1,400
30	1,200	1,200	1,200	600	850	600	1,400
36	1,200	1,200	1,200	600	850	600	1,400
42	1,200	1,200	1,200	500	850	600	1,400
48	1,200	1,200	1,200	425	850	530	1,275
54	1,200	1,116	1,080	375	850	440	1,150
60	1,150	1,070	1,035	280	850	400	1,000
66				215	850		
72	1,050	977	945	155	850	280	850
78				125	850		

**CEMA E**  
6307 - 35mm (1.38in) / 36.5mm (1.44in)

36	1,800	1,800	1,800	1,000	1,300	1,260	2,100
42	1,800	1,800	1,800	1,000	1,300	1,200	2,100
48	1,800	1,800	1,800	1,000	1,300	1,000	2,100
54	1,800	1,800	1,800	925	1,300	1,000	2,100
60	1,800	1,800	1,800	850	1,300	1,000	2,100
66	1,800	1,800	1,800	775	1,300	1,000	2,100
72	1,800	1,800	1,800	700	1,300	925	2,100
78				625	1,300		2,100
84	1,800	1,674	1,620	550	1,300	775	1,825
90				475	1,300		
96	1,750	1,628	1,575	400	1,300	625	
102				250	1,300		

**PPI E PLUS**  
6308 - 40mm (1.57in) / 43mm (1.69in)

36	2,100	2,100	2,100	1,200	1,600	1,495	2,100
42	2,100	2,100	2,100	1,200	1,600	1,440	2,100
48	2,100	2,100	2,100	1,200	1,600	1,200	2,100
54	2,100	2,100	2,100	1,110	1,600	1,200	2,100
60	2,100	2,100	2,100	1,020	1,600	1,200	2,100
66	2,100	2,100	2,100	930	1,600	1,155	2,100
72	2,095	2,095	2,095	840	1,600	1,110	2,100
78	2,095	2,095	2,095	720	1,600	980	2,100
84	2,090	2,090	2,090	605	1,600	850	1,825
90	2,085	2,085	2,085	520	1,600	795	
96	2,080	2,080	2,080	440	1,600	680	
102	2,075	2,075	2,075	275	1,600	510	

**CEMA F**  
6310 - 50mm (1.97in) / 51mm (2.00in)

BELT WIDTH	TROUGHING ANGLE			RETURN & FLAT	TWO-ROLL V-RETURN*	UNEQUAL (Picking)
	20°	35°	45°			
60	3,000	3,000	3,000	1,500	2,100	2,000
66	3,000	3,000	3,000	1,350	2,100	2,000
72	3,000	3,000	3,000	1,200	2,100	1,900
78	3,000	3,000	3,000	1,050	2,100	1,700
84	3,000	3,000	3,000	900	2,100	1,500
90	3,000	3,000	3,000	750	2,100	1,350
96	2,800	2,800	2,800	600	2,100	1,200
102	2,800	2,800	2,800		2,100	1,050
108	2,800	2,800	2,800		2,100	900
114	2,800	2,800	2,800		2,100	750
120	2,800	2,800	2,800		2,100	600
126					2,100	



**PPI**®

**[WWW.PPI-GLOBAL.COM](http://WWW.PPI-GLOBAL.COM) | [SALES@PPI-GLOBAL.COM](mailto:SALES@PPI-GLOBAL.COM)**

Product shown are for illustrative purposes only and may display optional accessories or components. Please contact your sales representative for more information on product specifications. PPI respectively reserves the right to make changes in engineering, design and specifications; add improvements; or discontinue manufacturing at any time without notice obligation.

PPI and its respective logos are trademarks of Precision, Inc. in the US and or other counties.

Copyright ©2024 Precision Pulley and Idler, all rights reserved.