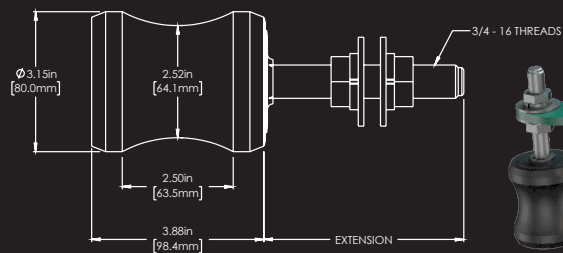
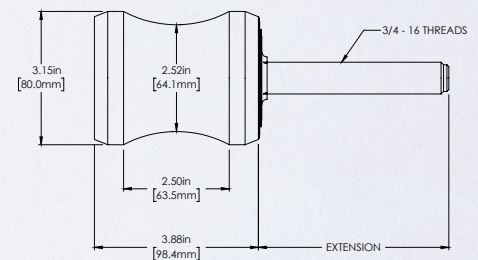
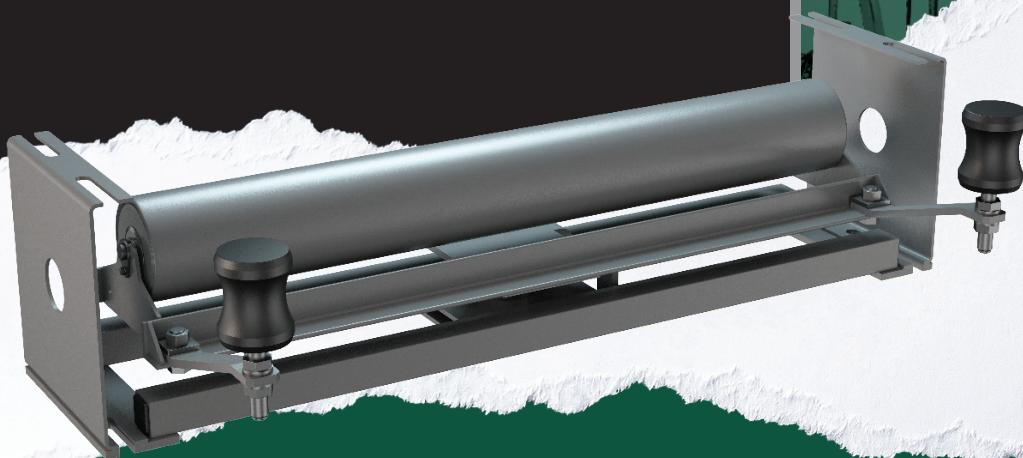
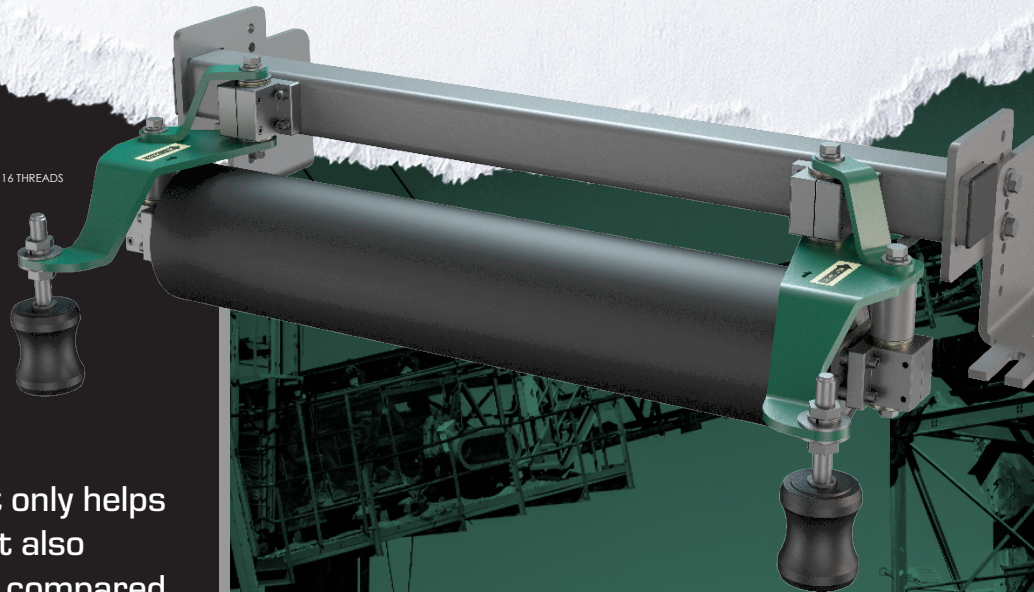


# HOURGLASS GUIDE ROLL



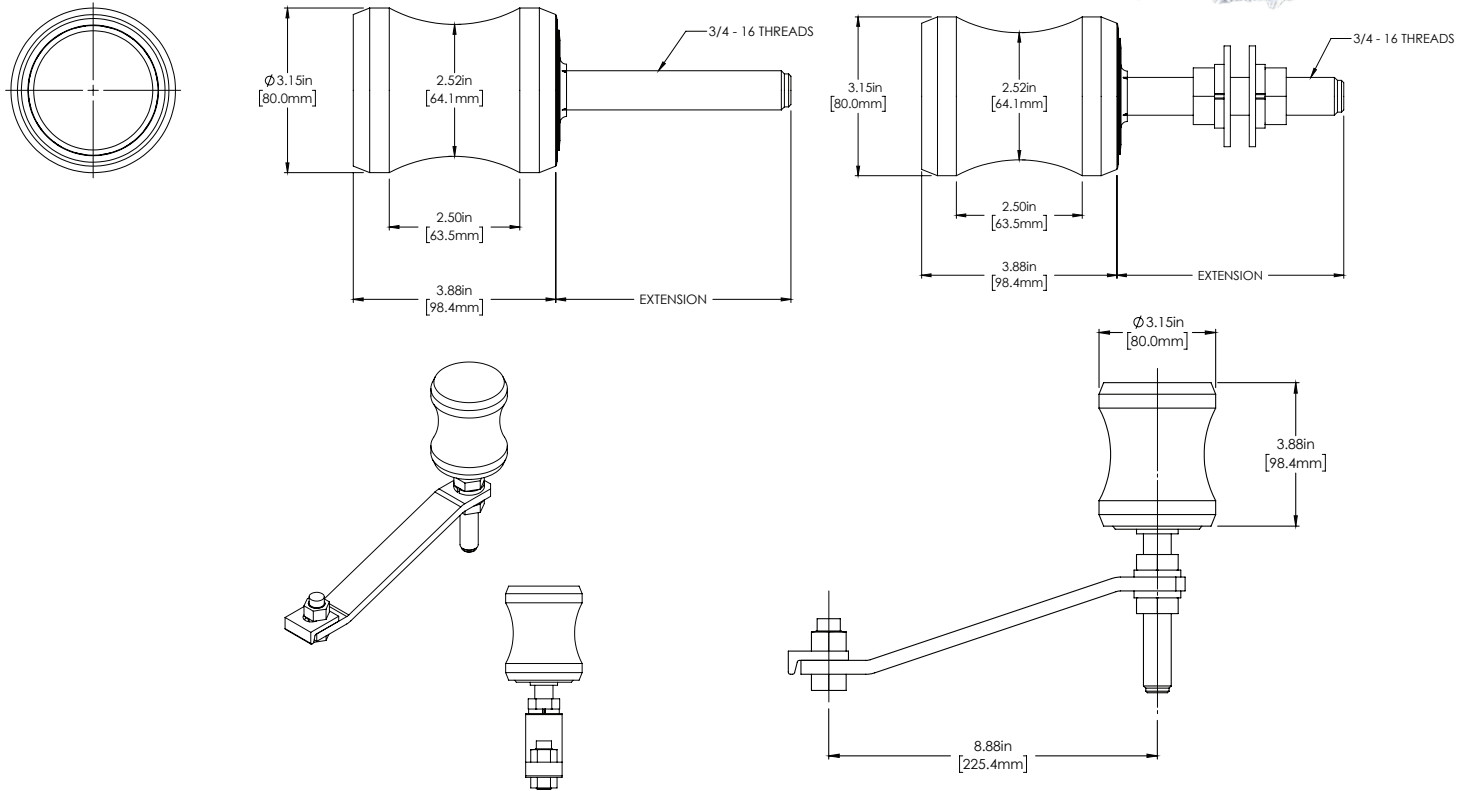
The PPI hourglass guide roll not only helps guide and protect the belt, but it also provides a long-lasting wear life compared to standard steel guide rolls. Made from UV resistant black cast polyurethane, the hourglass guide roll has an exceptional resistance to wear in the most severe conditions.



## FEATURES AND BENEFITS

- Prevents belt from cutting conveyor framework
- Exceptional wear life
- Designed to interchange with standard guide rolls on troughing self aligners and return self aligners with 4.5" drop brackets
- Material - UV resistant black cast polyurethane, thermoset
- Sealed 6204 bearings

# HOURGLASS GUIDE ROLL



PART NUMBER	DESCRIPTION	SHAFT EXTENSION	WEIGHT
40795-2.500	HOURGLASS GUIDE ROLL W/ 2.5 SHAFT EXT	2.5	1.63
40795-3.500	HOURGLASS GUIDE ROLL W/ 3.5 SHAFT EXT	3.5	1.75
40795-4.500	HOURGLASS GUIDE ROLL W/ 4.5 SHAFT EXT	4.5	1.88
40795-5.500	HOURGLASS GUIDE ROLL W/ 5.5 SHAFT EXT	5.5	2
40795A-2.500	HOURGLASS GUIDE ROLL W/ HARDWARE	2.5	2.05
40795A-3.500	HOURGLASS GUIDE ROLL W/ HARDWARE	3.5	2.17
40795A-4.500	HOURGLASS GUIDE ROLL W/ HARDWARE	4.5	2.3
40795A-5.500	HOURGLASS GUIDE ROLL W/ HARDWARE	5.5	2.42
49885	HOURGLASS GUIDE ROLL W/ ARM ASSEMBLY	4.5	4.15