

DRIVE PULLEY SHAFT DATA SHEET

Pulley Diameter (D) _____

Face Width (FW) _____

Bearing Centers (BC) _____

Overall Shaft Length (OAL) _____

Shaft Dia @ Bushing (d1) _____

Bushing Type and Size _____

Shaft Dia @ Bearing (d2) _____

Bearing Type and Size _____

Shaft Dia @ Coupling (d3) _____

Coupling Type & Size _____

Shaft Journal Length (J1) _____

Shaft Journal Length (J2) _____

Shaft Journal Length (J3) _____

Right Hand Extension (RHE) _____

Left Hand Extension (LHE) _____

Keyway Length (KL) _____

Direction of Rotation CW CCW N/A

Lagging Type & Thickness _____

Estimated Belt Wrap _____

COMPANY NAME _____

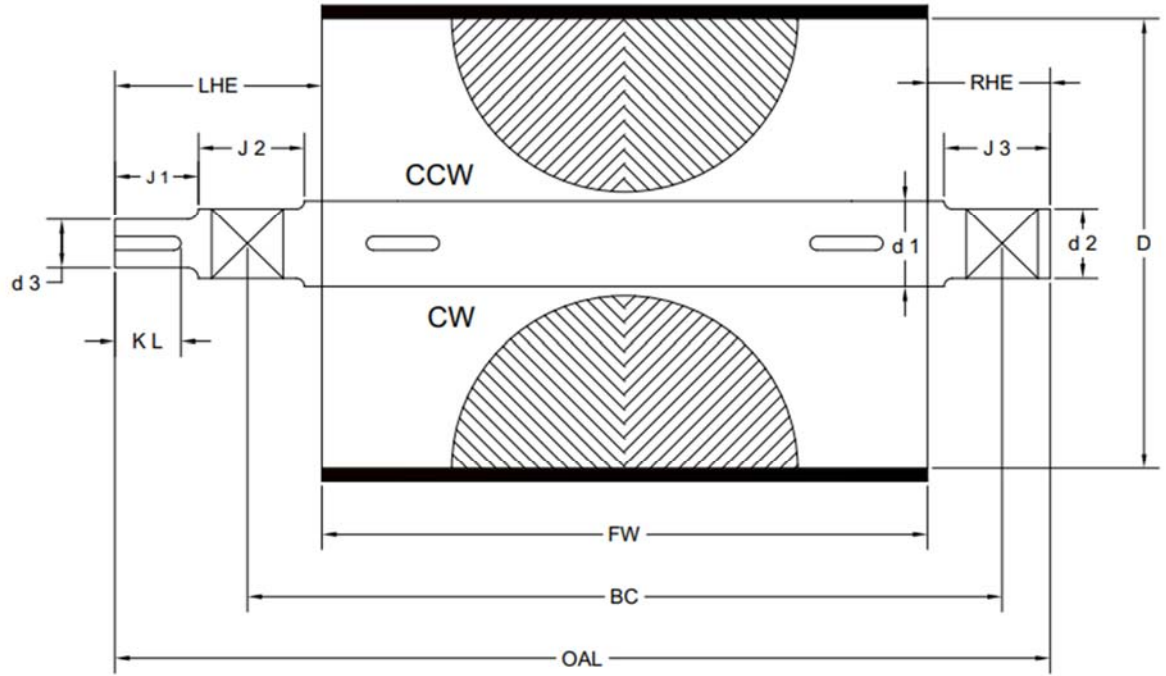
LOCATION _____

CONTACT NAME _____

PHONE _____

EMAIL _____

DATE _____



NOTES
