
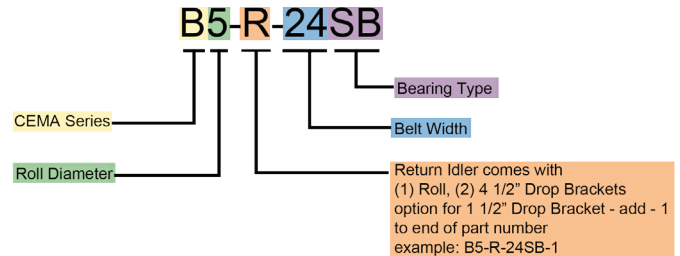
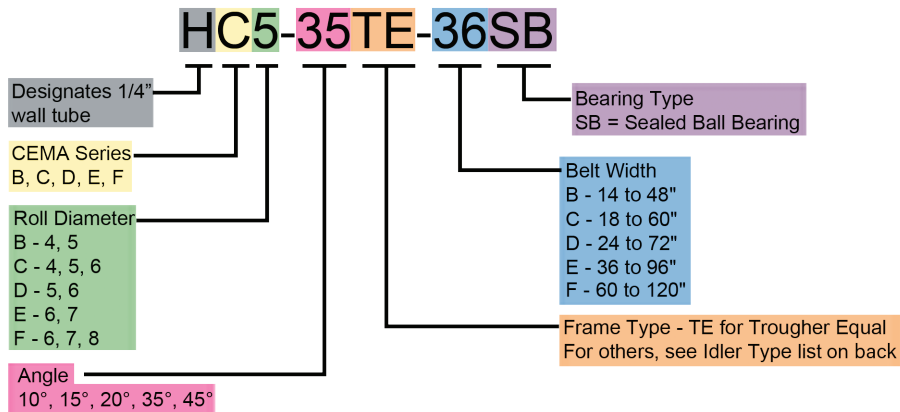


# HOW TO READ YOUR QUOTE

 <b>Idler Quote</b> PPI-USA PRECISION, INC. BOX 287, 300 S.E. 14TH ST PELLA, IOWA 50219 PHONE: (641) 628-3115 FAX: (641) 628-3658	<b>Quote#</b>  Page: 1  Quote Date: 1/1/19 Revised: 1/1/19 Good Until: 2/14/19 Est Ship: 2 w-days																																														
	Prepared For ABC Company 123 North St. Anywhere, IA 55555  Phone: 641-555-5555 Fax: 641-555-1212 ATTN: John Cust#: 12121212																																														
Project: Inquiry: Terms:																																															
<b>Count On Us To Meet Your Conveyor Component Needs</b> Outside Rep: ALL      Inside Rep:																																															
<table border="1"> <thead> <tr> <th>Item</th> <th>Qty</th> <th>Part Number</th> <th>Description</th> <th>Weight (LBS)</th> <th>Price Each</th> <th>Ext. Total</th> </tr> </thead> <tbody> <tr> <td>001</td> <td>1</td> <td>C5-35TE-36SB</td> <td>TROUGH IDL</td> <td>64</td> <td></td> <td>\$0.00</td> </tr> <tr> <td>002</td> <td>1</td> <td>HC5-35TE-36SB</td> <td>TR IDL 1/4WA</td> <td>88</td> <td></td> <td>\$0.00</td> </tr> <tr> <td>003</td> <td>1</td> <td>D5-10VR-48SB-4</td> <td>10DEG VRET      4.50DR(V48)</td> <td>80</td> <td></td> <td>\$0.00</td> </tr> <tr> <td>004</td> <td>1</td> <td>B5-R-24SB</td> <td>B5-FL-24SB W2 #14200/CLPS/SCWS</td> <td>23</td> <td></td> <td>\$0.00</td> </tr> <tr> <td colspan="4" style="text-align: right;"><b>Total Est. Weight(LBS)</b></td> <td><b>255</b></td> <td><b>TOTAL (USD)</b></td> <td><b>\$0.00</b></td> </tr> </tbody> </table>						Item	Qty	Part Number	Description	Weight (LBS)	Price Each	Ext. Total	001	1	C5-35TE-36SB	TROUGH IDL	64		\$0.00	002	1	HC5-35TE-36SB	TR IDL 1/4WA	88		\$0.00	003	1	D5-10VR-48SB-4	10DEG VRET      4.50DR(V48)	80		\$0.00	004	1	B5-R-24SB	B5-FL-24SB W2 #14200/CLPS/SCWS	23		\$0.00	<b>Total Est. Weight(LBS)</b>				<b>255</b>	<b>TOTAL (USD)</b>	<b>\$0.00</b>
Item	Qty	Part Number	Description	Weight (LBS)	Price Each	Ext. Total																																									
001	1	C5-35TE-36SB	TROUGH IDL	64		\$0.00																																									
002	1	HC5-35TE-36SB	TR IDL 1/4WA	88		\$0.00																																									
003	1	D5-10VR-48SB-4	10DEG VRET      4.50DR(V48)	80		\$0.00																																									
004	1	B5-R-24SB	B5-FL-24SB W2 #14200/CLPS/SCWS	23		\$0.00																																									
<b>Total Est. Weight(LBS)</b>				<b>255</b>	<b>TOTAL (USD)</b>	<b>\$0.00</b>																																									



## IDLER TYPE LIST

TE	Trougher Equal
TEI	Trougher Equal Impact
TESA	Trougher Equal Self Aligner
TU	Trougher Unequal
TUI	Trougher Unequal Impact
TUIC	Trougher Unequal Impact Center Roll, Steel Wing Rolls
CIT	Channel Inset Trougher
CITI	Channel Inset Trougher Impact
F	Flat (1) Roll (2) Drop Brackets
FRD	Flat Rubber Disc
FSA	Flat Self-Aligner
CIF	Channel Inset Flat
CIFRD	Channel Inset Flat Rubber Disc
R	Return (1) Roll (2) Drop Brackets
RRD	Return Rubber Disc
RSA	Return Self Aligner
RRDSA	Return Rubber Disc Self Aligner
CIR	Channel Inset Return
CIRRD	Channel Inset Return Rubber Disc
CIRW	Channel Inset Return with Web Mount Drop Brackets

CIRRDW	Channel Inset Return Rubber Disc with Web Mount Drop Brackets
VR	V-Return
VRI	V-Return Impact
IVR	Inverted V-Return
IVRI	Inverted V-Return Impact
LSI	Live Shaft Impact
LSRRD	Live Shaft Return Rubber Disc
LSR	Live Shaft Return (Steel)
TIS	Trougher Impact System
TISL	Trougher Impact System Low Profile
TISLZ	Trougher Impact System Low Profile - 2 Foot
TISZ	Trougher Impact System - 2 Foot
EZI	EZSlider with Impact Rolls
TET	Trougher Equal Transition
ME	Medium Duty Impact Bed
GRT	Guide Roll Trougher
GRF	Guide Roll Flat
GRR	Guide Roll Return
SADxCSR	Smart Roll Clean Side Return



300 SE 14TH STREET PELLA, IA 50219 | 800.247.1228 | WWW.PPI-GLOBAL.COM

Product shown are for illustrative purposes only and may display optional accessories or components. Please contact your sales representative for more information on product specifications. PPI respectively reserves the right to make changes in engineering, design and specifications; add improvements; or discontinue manufacturing at any time without notice obligation. PPI and its respective logos are trademarks of Precision, Inc. in the US and/or other countries.