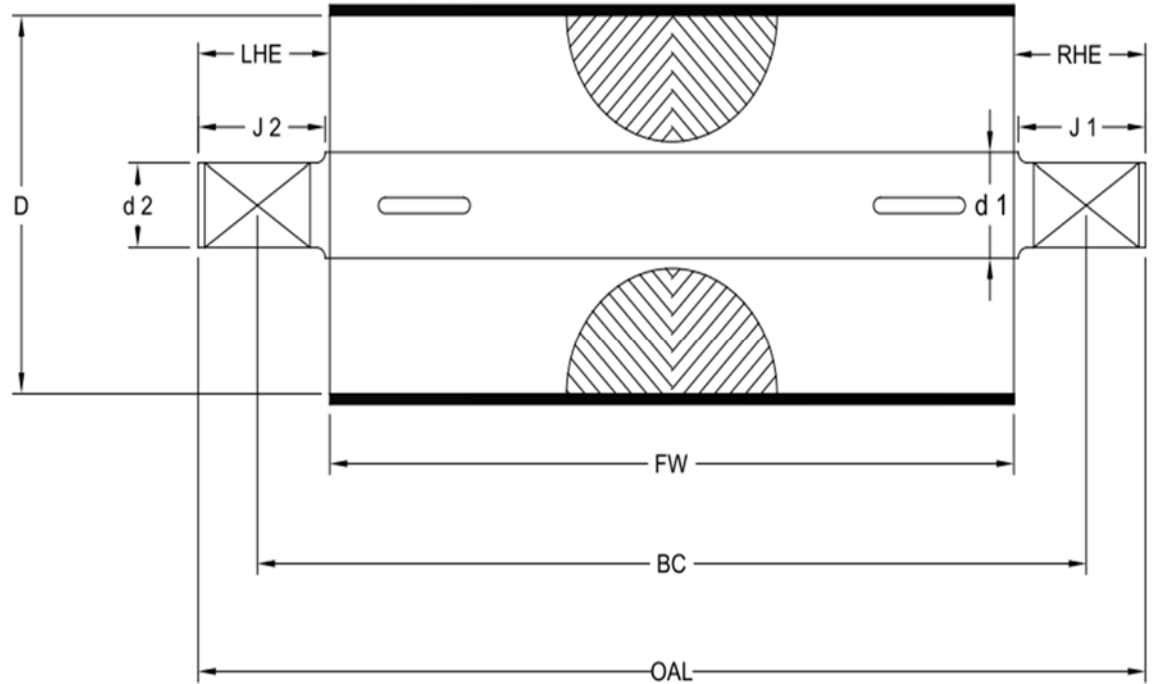


NON-DRIVE CENTER-MOUNTED PULLEY ASSEMBLY DATA SHEET

Pulley Diameter (D) _____
 Face Width (FW) _____
 Bearing Centers (BC) _____
 Overall Shaft Length (OAL) _____
 Shaft Dia @ Bushing (d1) _____
 Bushing Type and Size _____
 Shaft Dia @ Bearing (d2) _____
 Bearing Type and Size _____
 Shaft Journal Length (J1) _____
 Shaft Journal Length (J2) _____
 Right Hand Extension (RHE) _____
 Left Hand Extension (LHE) _____
 Lagging Type & Thickness _____
 Estimated Belt Wrap _____



Pulley Position: Drive Snub, High Tension Bend,
 Low Tension Take-Up Bend, Gravity Take-Up, Tail
 Pulley Position _____

COMPANY NAME _____
 LOCATION _____
 CONTACT NAME _____
 PHONE _____
 EMAIL _____
 DATE _____

NOTES:
