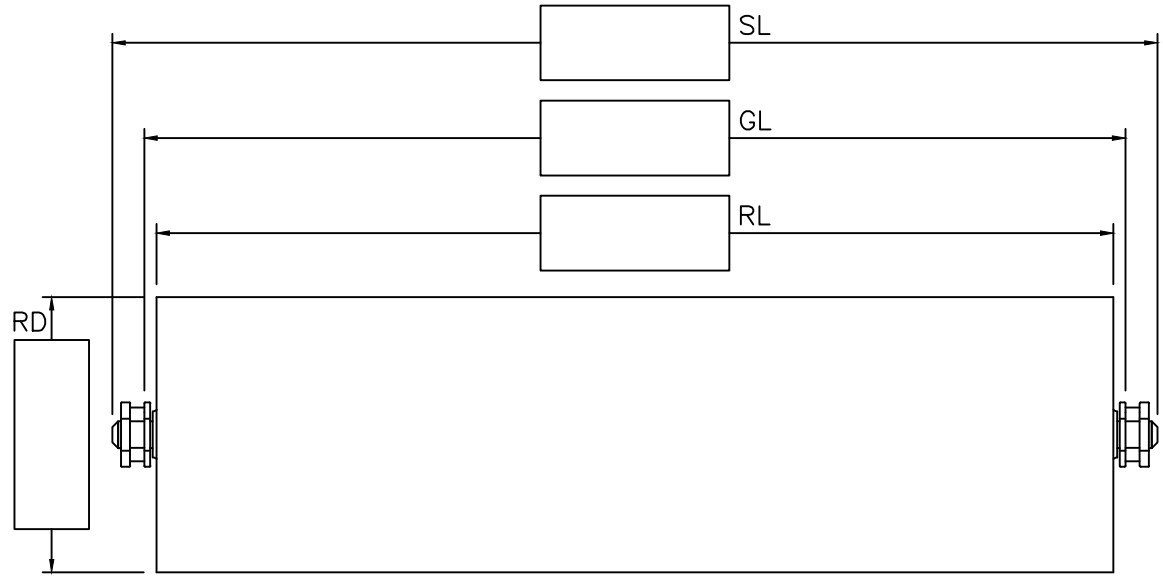
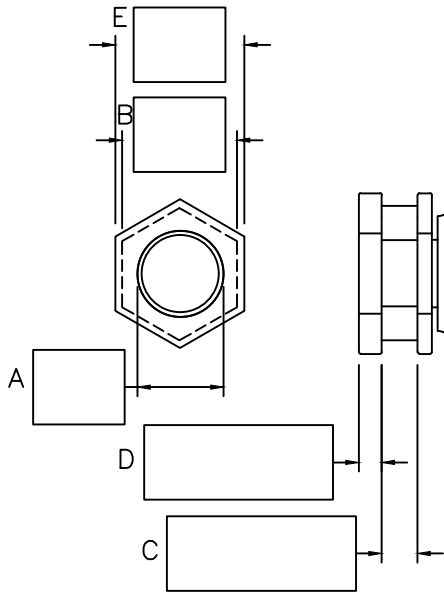


RETRO ROLL DATA SHEET

CUSTOMER _____
 LOCATION _____
 CONTACT _____
 PHONE _____
 NOTES _____



Tolerances <small>Unless Otherwise Specified</small> Decimal .XX± .XXX± .XXXX± ANGULAR ±1°	CEMA SERIES N/A	DIAM. N/A	ANGLE N/A	TYPE N/A	BELT WIDTH N/A	BEARING N/A	WEIGHT N/A	ITEM CLASS N/A	SCALE UNK	PPI 800.247.1228 Fax 641.628.3658 www.ppi-global.com	
ASSEMBLY PART NUMBER				ITEM DESCRIPTION				Rev:	Date:	BY: EJA	DWG. NO.: BLANK FORM E
N/A				RETRO DATA SHEET: STYLE E						DATE: 3/27/08	PART NO.: N/A